

THIS DRAWING IS UNPUBLISHED.

RELEASED FOR PUBLICATION

LOC

DIST

REVISIONS

© COPYRIGHT - By -

ALL RIGHTS RESERVED.

FT

0

P

LTR

DESCRIPTION

DATE

DWN

APVD

A3

REVISED PER ECO-10-024406

25JUL11

HMR

CR

NOTES:

MATERIAL:

HOUSING: PBT, UL94V-0, COLOR: BLACK.
TERMINAL: BRASS, TIN PLATED.
SCREW: M3, STEEL, NICKEL PLATED.
COVER: PC.

ELECTRICAL:

CURRENT RATING: 15A, 300V.
WIRE RANGE: 14-22 AWG.

MECHANICAL:

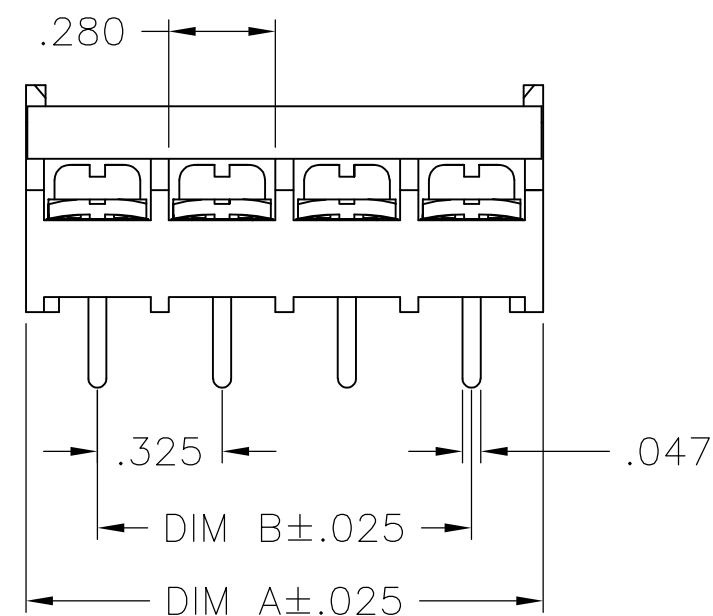
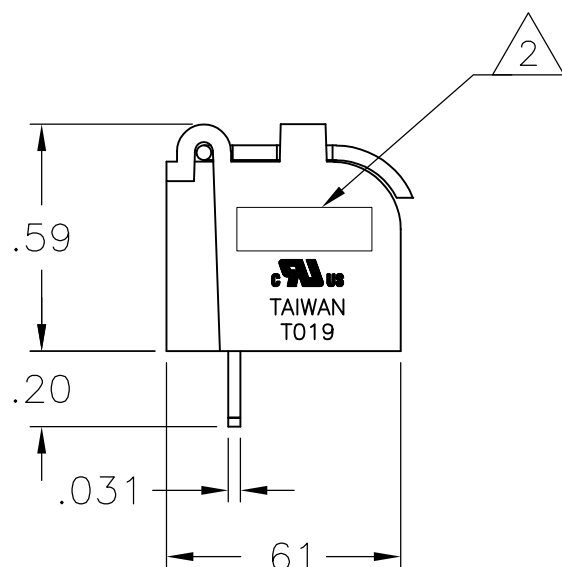
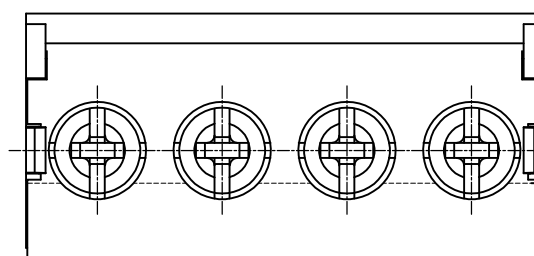
OPERATION TEMP: -40°C TO +120°C.



PRELIMINARY PART NUMBER.



TE LOGO LOCATED APPROXIMATE AREA SHOWN.



1	9.797	9.425	30	3-1546927-0
1	9.472	9.100	29	2-1546927-9
1	9.147	8.775	28	2-1546927-8
1	8.822	8.450	27	2-1546927-7
1	8.497	8.125	26	2-1546927-6
1	8.172	7.800	25	2-1546927-5
1	7.847	7.475	24	2-1546927-4
1	7.522	7.150	23	2-1546927-3
1	7.197	6.825	22	2-1546927-2
1	6.872	6.500	21	2-1546927-1
1	6.547	6.175	20	2-1546927-0
1	6.222	5.850	19	1-1546927-9
1	5.897	5.525	18	1-1546927-8
1	5.572	5.200	17	1-1546927-7
1	5.247	4.875	16	1-1546927-6
1	4.922	4.550	15	1-1546927-5
1	4.597	4.225	14	1-1546927-4
1	4.272	3.900	13	1-1546927-3
1	3.947	3.575	12	1-1546927-2
1	3.622	3.250	11	1-1546927-1
1	3.297	2.925	10	1-1546927-0
	2.972	2.600	9	1546927-9
	2.647	2.275	8	1546927-8
	2.322	1.950	7	1546927-7
	1.997	1.625	6	1546927-6
	1.672	1.300	5	1546927-5
	1.347	.975	4	1546927-4
	1.022	.650	3	1546927-3
	.697	.325	2	1546927-2
	DIM. A	DIM. B	NO. OF POS.	TE PART NO.

THIS DRAWING IS A CONTROLLED DOCUMENT.		DWN	S SCHLEGEL	21JAN04	TE Connectivity				
		CHK	S YODER	1/22/04					
		APVD	S YODER	1/22/04	NAME				
		PRODUCT SPEC			TERMINAL BLOCK, .325 TRI BARRIER W/ COVER				
		APPLICATION SPEC							
		WEIGHT	-			SIZE	CAGE CODE	DRAWING NO	RESTRICTED TO
		CUSTOMER DRAWING			A3	00779	C-1546927	-	
		SCALE	NTS		SHEET	1 OF 1		REV	A3

DIMENSIONS: INCHES		TOLERANCES UNLESS OTHERWISE SPECIFIED:	
	0 PLC	± -	
	1 PLC	± -	
	2 PLC	± .02	
	3 PLC	± .010	
	4 PLC	± -	
	ANGLES	± -	
MATERIAL		FINISH	
-		-	