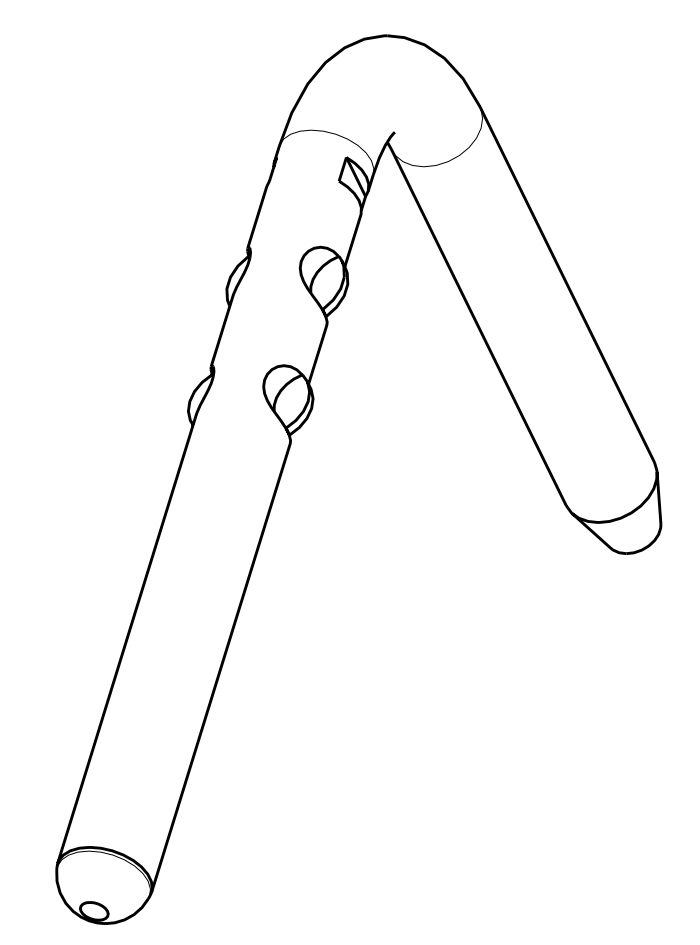
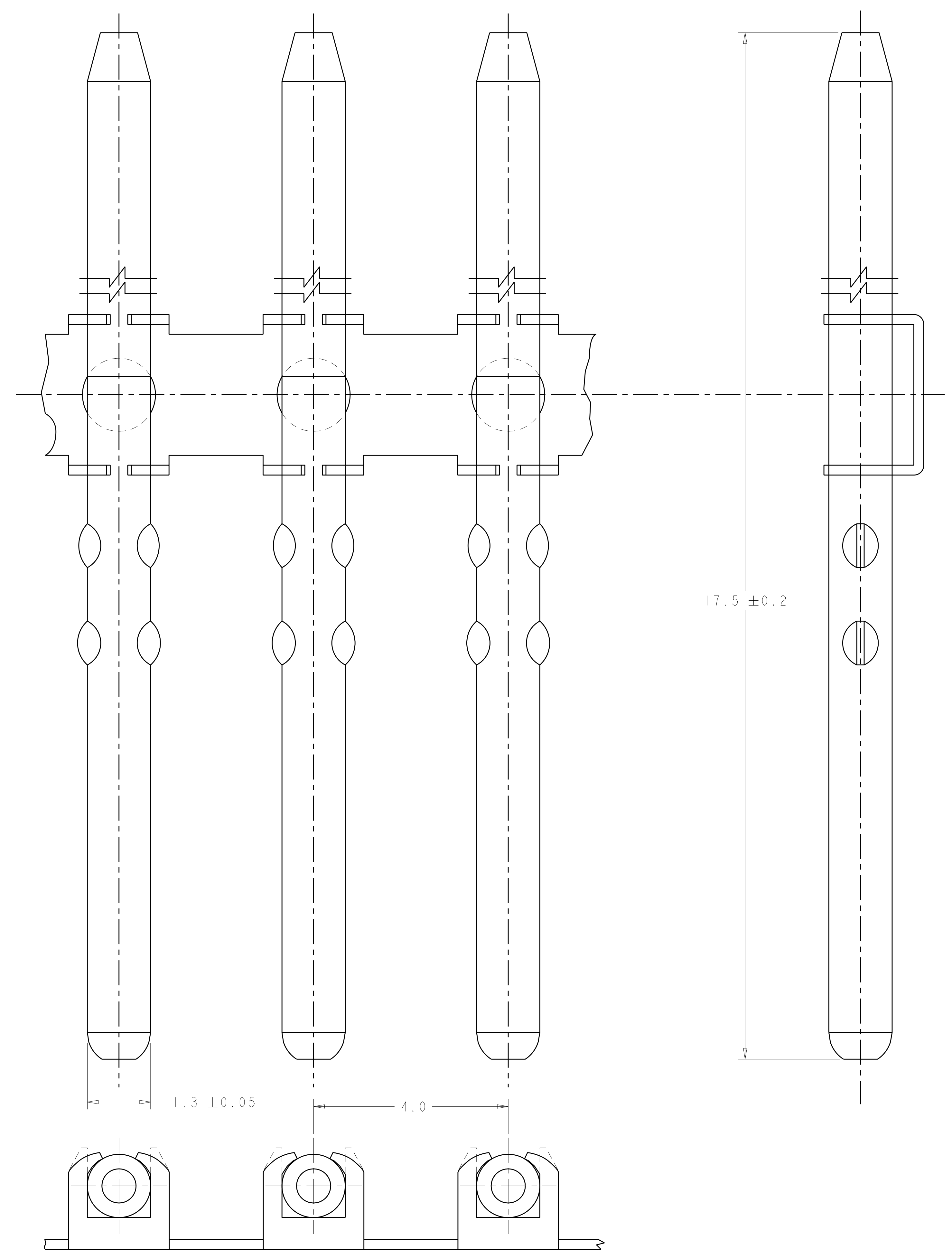


LOC	DIST	REVISIONS			
		REV	DATE	BY	CHK
GE	00	A	14MAR2003	JRB	DHC
		B	21FEB2009	DLD	DHC

1. PART NUMBER 1-776265-0 REELED ON NON-RETURNABLE REEL.



SCALE 10:1

1-776265-0
PART NUMBER

<small>THIS DRAWING IS UNPUBLISHED. RELEASED FOR PUBLICATION. ALL RIGHTS RESERVED. THIS DRAWING IS UNPUBLISHED. RELEASED FOR PUBLICATION. ALL RIGHTS RESERVED. THIS DRAWING IS UNPUBLISHED. RELEASED FOR PUBLICATION. ALL RIGHTS RESERVED.</small>		DWN: JR BUSSARD 06JUN2002 CHK: DH CROWE 06JUN2002 APVD: DH CROWE 06JUN2002	Tyco Electronics Harrisburg, PA 17105-3608
DIMENSIONS: mm 	TOLERANCES UNLESS OTHERWISE SPECIFIED: 0 PLC ± 1 PLC ± 2 PLC ± 3 PLC ± 4 PLC ± ANGLES ± FINISH ±	NAME: PIN, BANDOLIER, TIN, AMPSEAL PRODUCT SPEC: APPLICATION SPEC: WEIGHT: CUSTOMER DRAWING	SIZE: A 00779 C=776265 SCALE: 20:1 SHEET: 1 OF 1 REV: B