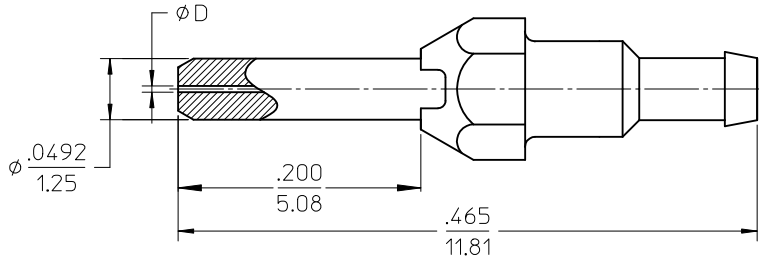
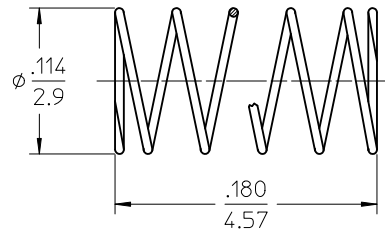


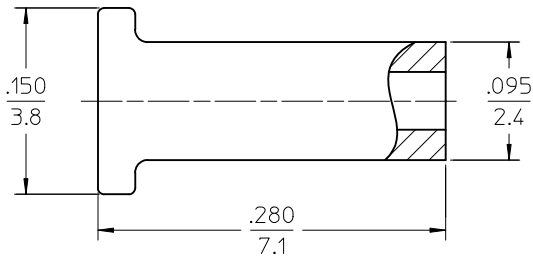
P/N	∅D in [mm]
106073-0022	.0049 [0.1255]
106073-0027	.0050 [0.126]



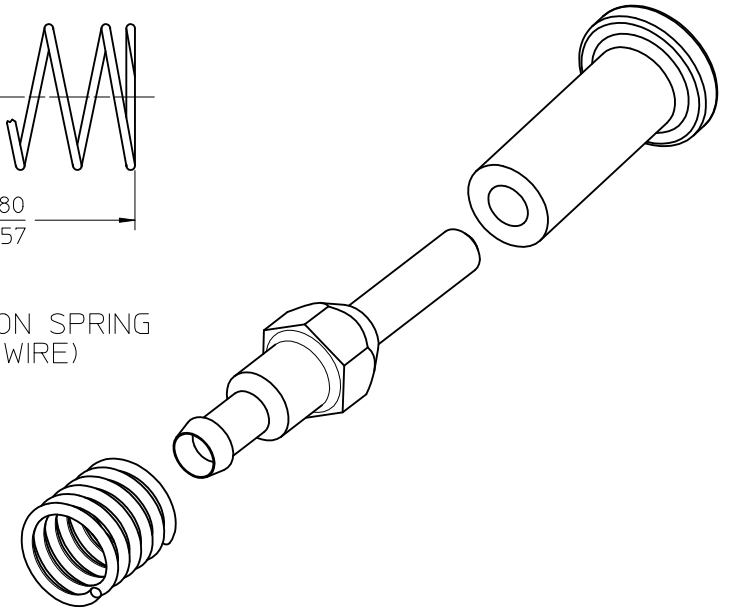
LC PLUG, METAL BODY  
(ZIRCONIA CERAMIC FERRULE)



COMPRESSION SPRING  
(MUSIC WIRE)



DUST CAP



ISOMETRIC VIEW  
SCALE 8:1

NOTES:

1. ALL DIMENSIONS ARE FOR REFERENCE ONLY.
2. ALL PARTS ARE PACKED IN ONE BAG - 1 KIT PER BAG.
3. ALL PLASTIC MATERIALS ARE UL-94 V-0 RATED.

<b>ENTER DESCRIPTION</b> EC NO: MF2010-0576 DRAWN: YBEDNYAK 2010/06/28 CHKD: 2010/06/29 APPR: WCHEN 2010/06/29	QUALITY SYMBOLS ▽=0 ▽7=0	GENERAL TOLERANCES (UNLESS SPECIFIED) mm INCH 4 PLACES ±--- ±--- 3 PLACES ±--- ±--- 2 PLACES ±--- ±--- 1 PLACE ±--- ±--- ANGULAR ±1/2°	DIMENSION STYLE IN/MM DRAWN BY DATE KP 01/25/2006 CHECKED BY DATE	SCALE 10:1 DESIGN UNITS INCH	THIRD ANGLE PROJECTION	
	DRAFT WHERE APPLICABLE MUST REMAIN WITHIN DIMENSIONS		APPROVED BY DATE IGUMIN 2010/03/18	TITLE SNAP MATE PLUG (SM) AND COMPRESSION SPRING KIT		
	MATERIAL NO. SEE TABLE		MOLEX INCORPORATED		SHEET NO. 1 OF 1	
	DOCUMENT NO. SD-106073-0022		THIS DRAWING CONTAINS INFORMATION THAT IS PROPRIETARY TO MOLEX INCORPORATED AND SHOULD NOT BE USED WITHOUT WRITTEN PERMISSION			