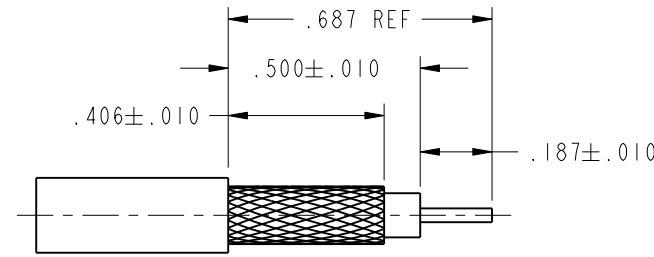


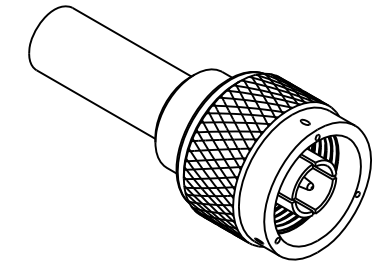
NOTES:

1. MATERIALS AND FINISHES:
 BODY, COUPLING NUT, OUTER CONTACT = BRASS PER ASTM B16 C3600, H02, SILVER PLATE (.000200 MIN)
 CONTACT - BRASS PER ASTM B16 C3600, H02, GOLD PLATE (.000100 MIN) OVER COPPER (.000100 MIN)
 GASKET - SILICONE RUBBER, COLOR RED
 INSULATOR - PTFE PER ASTM D1710 OR ENGINEERING EQUIVALENT
 FERRULE - COPPER, SILVER PLATE (.000200 MIN)
2. MECHANICAL:
 A. DURABILITY: 500 CYCLES MIN.
 B. TEMPERATURE RANGE: -65° C TO +165° C
3. PACKAGING:
 A. QUANTITY: SINGLE PACK
 B. MARKING: BAG TO BE MARKED
 "AMPHENOL, 82-5584, AND DATE CODE"
4. CABLE ASSEMBLY INSTRUCTIONS:
 A. STRIP CABLE TO DIMENSIONS AS SHOWN & SLIDE FERRULE OVER CABLE..
 B. INSERT CABLE INTO CENTER CONTACT UNTIL IT BOTTOMS AND-
 SOLDER THE CONTACT OR CRIMP WITH AMPHENOL TOOL 227-944(M22520/5-01) AND
 DIE SET 227-1221-57 CAVITY B (M22520/5-57 CLOSURE B).
 C. INSERT CABLE INTO THE BODY, MAKE SURE FERRULE COVERS THE BRAID.
 D. CRIMP THE FERRULE ON TO FERRULE BODY USING AMPHENOL TOOL 227-944 (M22520/5-01)-
 AND DIE SET 227-1221-57 CAVITY A (M22520/5-57 CLOSURE A)
 E. CRIMP WITH AMPHENOL TOOL 227-944(M22520/5-01) AND
 DIE SET 227-1221-57 CAVITY B (M22520/5-57 CLOSURE B).
5. SHOWS CABLE ENTRY DIMENSIONS.

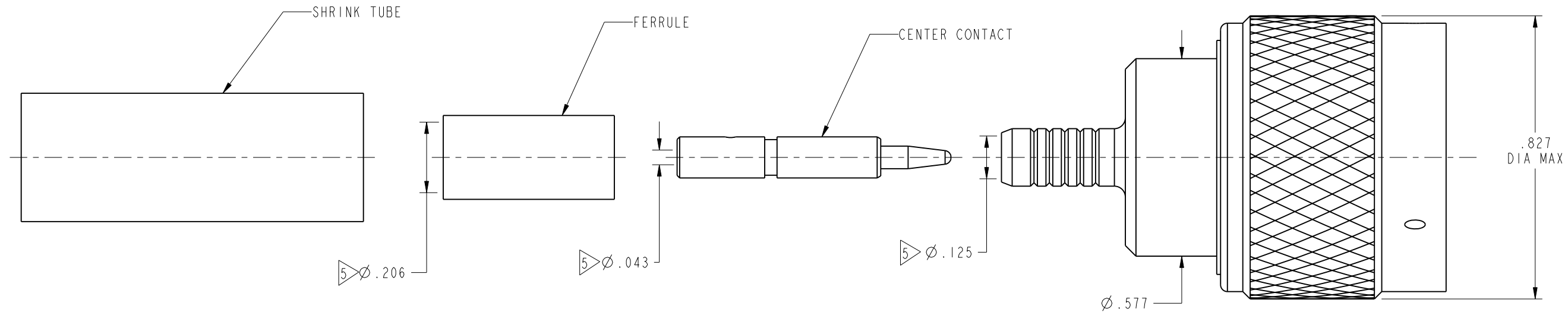
82-5584		REVISIONS			
DRAWING NO.	REV	DESCRIPTION	DATE	ECO	APPR
THIRD ANGLE PROJ.	A	RELEASE TO MFG.	04-JUNE-76	24507	CRC
	H	USE OF LEAD FREE SOLDER, REDRAWN IN PRO/E	8/15/07	46471	NBP
	J	ADDED MATERIAL & FINISH	1/16/09	47409	CPM



RECOMMENDED
CABLE STRIPPING DIMENSIONS



SCALE 1.000



CUSTOMER OUTLINE DRAWING
ALL OTHER SHEETS ARE FOR INTERNAL USE ONLY

UNLESS OTHERWISE SPECIFIED, DIMENSIONS ARE IN INCHES AND TOLERANCES ARE: 2 PLACE DECIMAL 3 PLACE DECIMAL ANGLES ±.015 (0,381 mm) ±.005 (0,127 mm) ± 1°	MATERIAL	DRAWN PRAVEEN N.B	DATE 14-Mar-07	TITLE TYPE "N" PLUG MIL-CR P FOR RG-303/U CABLE		Amphenol RF Danbury, CT, USA Tainan, Taiwan Shenzhen, China www.amphenolrf.com		
	REFERENCE	ENGINEER PRAVEEN N.B	DATE 14-Mar-07					
NOTICE - These drawings, specifications, or other data (1) are, and remain the property of Amphenol Corp. (2) must be returned upon request; and (3) are confidential and not to be disclosed to any person other than those to whom they are given by Amphenol Corp. The furnishing of these drawings, specifications, or other data by Amphenol Corp., or to any other person to anyone for any purpose is not to be regarded by implication or otherwise in any manner licensing, granting rights or permitting such holder or any other person to manufacture, use or sell any product, process or design, patented or otherwise, that may in any way be related to or disclosed by said drawings, specifications, or other data.		APPROVED O. BARTHELMES	DATE 8/15/07	CODE ID 74868	DWG SIZE B	DRAWING NO. 82-5584	SCALE: 3.0:1	SHEET 2 OF 2
		CAD FILE I:\N\82-5584						