



40W Single Output Industrial DIN Rail Power Supply

**MDR-40** series



- Features :
- Universal AC input/Full range
- Protections: Short circuit / Overload / Over voltage
- Cooling by free air convection
- Can be installed on DIN rail TS-35/7.5 or 15
- Class I, Div 2 Hazardous Locations T4
- LED indicator for power on
- DC OK relay contact
- No load power consumption<0.75W
- 100% full load burn-in test
- 3 years warranty



**SPECIFICATION**

| MODEL                 | MDR-40-5   | MDR-40-12   | MDR-40-24  | MDR-40-48  |              |
|-----------------------|--|---|------------|------------|--------------|
| OUTPUT                | DC VOLTAGE   | 5V  | 12V        | 24V        | 48V          |
|                       | RATED CURRENT  | 6A  | 3.33A      | 1.7A       | 0.83A        |
|                       | CURRENT RANGE  | 0 ~ 6A  | 0 ~ 3.33A  | 0 ~ 1.7A   | 0 ~ 0.83A    |
|                       | RATED POWER  | 30W   | 40W        | 40.8W      | 39.8W        |
|                       | RIPPLE & NOISE (max.) Note.2   | 80mVp-p   | 120mVp-p   | 150mVp-p   | 200mVp-p     |
|                       | VOLTAGE ADJ. RANGE   | 5 ~ 6V  | 12 ~ 15V   | 24 ~ 30V   | 48 ~ 56V     |
|                       | VOLTAGE TOLERANCE Note.3   | ± 2.0%  | ± 1.0%     | ± 1.0%     | ± 1.0%       |
|                       | LINE REGULATION  | ± 1.0%  | ± 1.0%     | ± 1.0%     | ± 1.0%       |
|                       | LOAD REGULATION  | ± 1.0%  | ± 1.0%     | ± 1.0%     | ± 1.0%       |
|                       | SETUP, RISE TIME Note.5  | 500ms, 30ms/230VAC 500ms, 30ms/115VAC at full load  |            |            |              |
| HOLD UP TIME (Typ.)   | 50ms/230VAC 20ms/115VAC at full load   |   |            |            |              |
| INPUT                 | VOLTAGE RANGE  | 85 ~ 264VAC 120 ~ 370VDC  |            |            |              |
|                       | FREQUENCY RANGE  | 47 ~ 63Hz   |            |            |              |
|                       | EFFICIENCY (Typ.)  | 78%   | 86%        | 88%        | 88%          |
|                       | AC CURRENT (Typ.)  | 1.1A/115VAC 0.7A/230VAC   |            |            |              |
|                       | INRUSH CURRENT (Typ.)  | COLD START 30A/115VAC 60A/230VAC  |            |            |              |
|                       | LEAKAGE CURRENT  | <1mA/ 240VAC  |            |            |              |
| PROTECTION            | OVERLOAD   | 105 ~ 150% rated output power<br>Protection type : Constant current limiting, recovers automatically after fault condition is removed |            |            |              |
|                       | OVER VOLTAGE   | 6.25 ~ 7.25V  | 15.6 ~ 18V | 31.2 ~ 36V | 57.6 ~ 64.8V |
|                       |  | Protection type : Shut down o/p voltage, re-power on to recover   |            |            |              |
| FUNCTION              | DC OK SIGNAL   | Relay contact rating(max.): 30V/1A resistive  |            |            |              |
| ENVIRONMENT           | WORKING TEMP.  | -20 ~ +70°C (Refer to "Derating Curve")   |            |            |              |
|                       | WORKING HUMIDITY   | 20 ~ 90% RH non-condensing  |            |            |              |
|                       | STORAGE TEMP., HUMIDITY  | -40 ~ +85°C, 10 ~ 95% RH  |            |            |              |
|                       | TEMP. COEFFICIENT  | ± 0.03%/°C (0 ~ 50°C)   |            |            |              |
|                       | VIBRATION  | Component : 10 ~ 500Hz, 2G 10min./1cycle, period for 60min. each along X, Y, Z axes ; Mounting : Compliance to IEC60068-2-6           |            |            |              |
| SAFETY & EMC (Note 4) | SAFETY STANDARDS   | UL508, UL60950-1, TUV EN60950-1, Class I, Div. 2 Group A, B, C, D Hazardous Locations T4 approved                                     |            |            |              |
|                       | WITHSTAND VOLTAGE  | I/P-O/P:3KVAC I/P-FG:2KVAC O/P-FG:0.5KVAC   |            |            |              |
|                       | ISOLATION RESISTANCE   | I/P-O/P, I/P-FG, O/P-FG:>100M Ohms / 500VDC / 25°C / 70% RH   |            |            |              |
|                       | EMC EMISSION   | Compliance to EN55011, EN55032 (CISPR32), EN61204-3 Class B, EN61000-3-2,-3   |            |            |              |
|                       | EMC IMMUNITY   | Compliance to EN61000-4-2, 3, 4, 5, 6, 8, 11, EN55024, EN61000-6-2, EN61204-3, heavy industry level, criteria A                       |            |            |              |
| OTHERS                | MTBF   | 301.7K hrs min. MIL-HDBK-217F (25°C)  |            |            |              |
|                       | DIMENSION  | 40*90*100mm (W*H*D)   |            |            |              |
|                       | PACKING  | 0.3Kg; 42pcs/13.6Kg/0.82CUFT  |            |            |              |
| NOTE                  | <ol style="list-style-type: none"> <li>1. All parameters NOT specially mentioned are measured at 230VAC input, rated load and 25°C of ambient temperature.</li> <li>2. Ripple &amp; noise are measured at 20MHz of bandwidth by using a 12" twisted pair-wire terminated with a 0.1uf &amp; 47uf parallel capacitor.</li> <li>3. Tolerance : includes set up tolerance, line regulation and load regulation.</li> <li>4. The power supply is considered a component which will be installed into a final equipment. The final equipment must be re-confirmed that it still meets EMC directives. For guidance on how to perform these EMC tests, please refer to "EMI testing of component power supplies." (as available on <a href="http://www.meanwell.com">http://www.meanwell.com</a>)</li> <li>5. Length of set up time is measured at first cold start. Turning ON/OFF the power supply may lead to increase of the set up time.</li> </ol> |   |            |            |              |

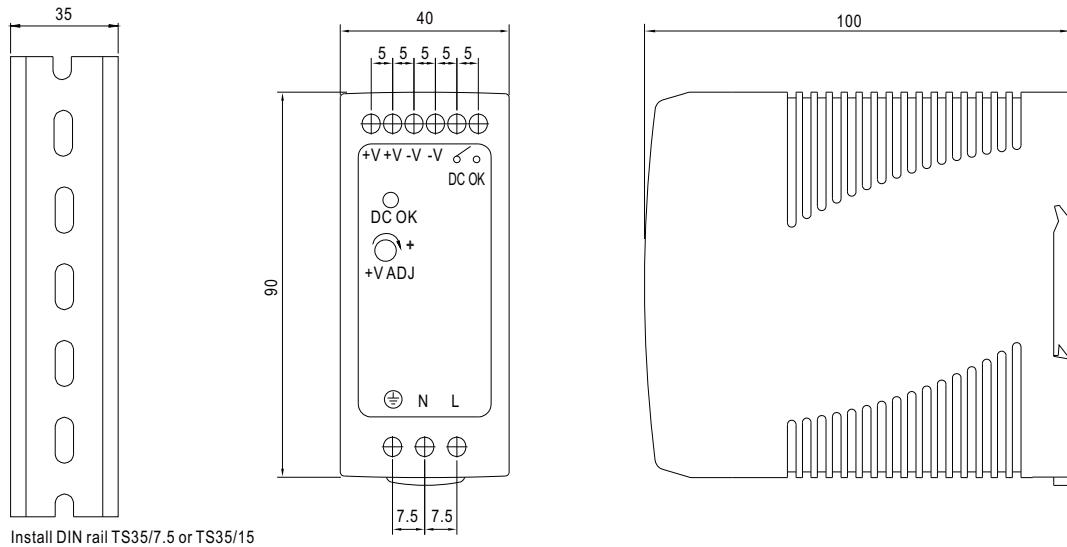


40W Single Output Industrial DIN Rail Power Supply

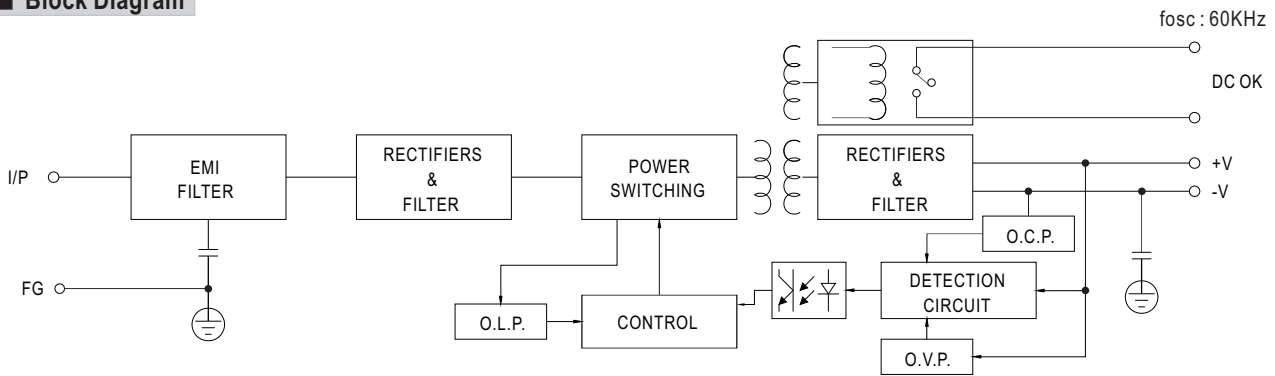
**MDR-40** series

Case No.962A Unit:mm

■ Mechanical Specification



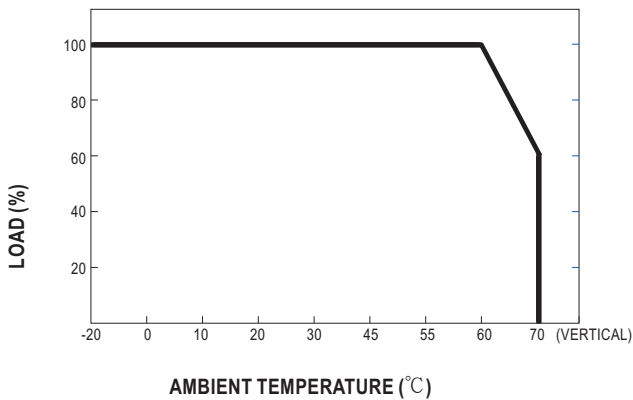
■ Block Diagram



■ DC OK Relay Contact

|                        |                          |
|------------------------|--------------------------|
| Contact Close          | PSU turns on / DC OK.    |
| Contact Open           | PSU turns off / DC Fail. |
| Contact Ratings (max.) | 30V/1A resistive load.   |

■ Derating Curve



■ Output Derating VS Input Voltage

