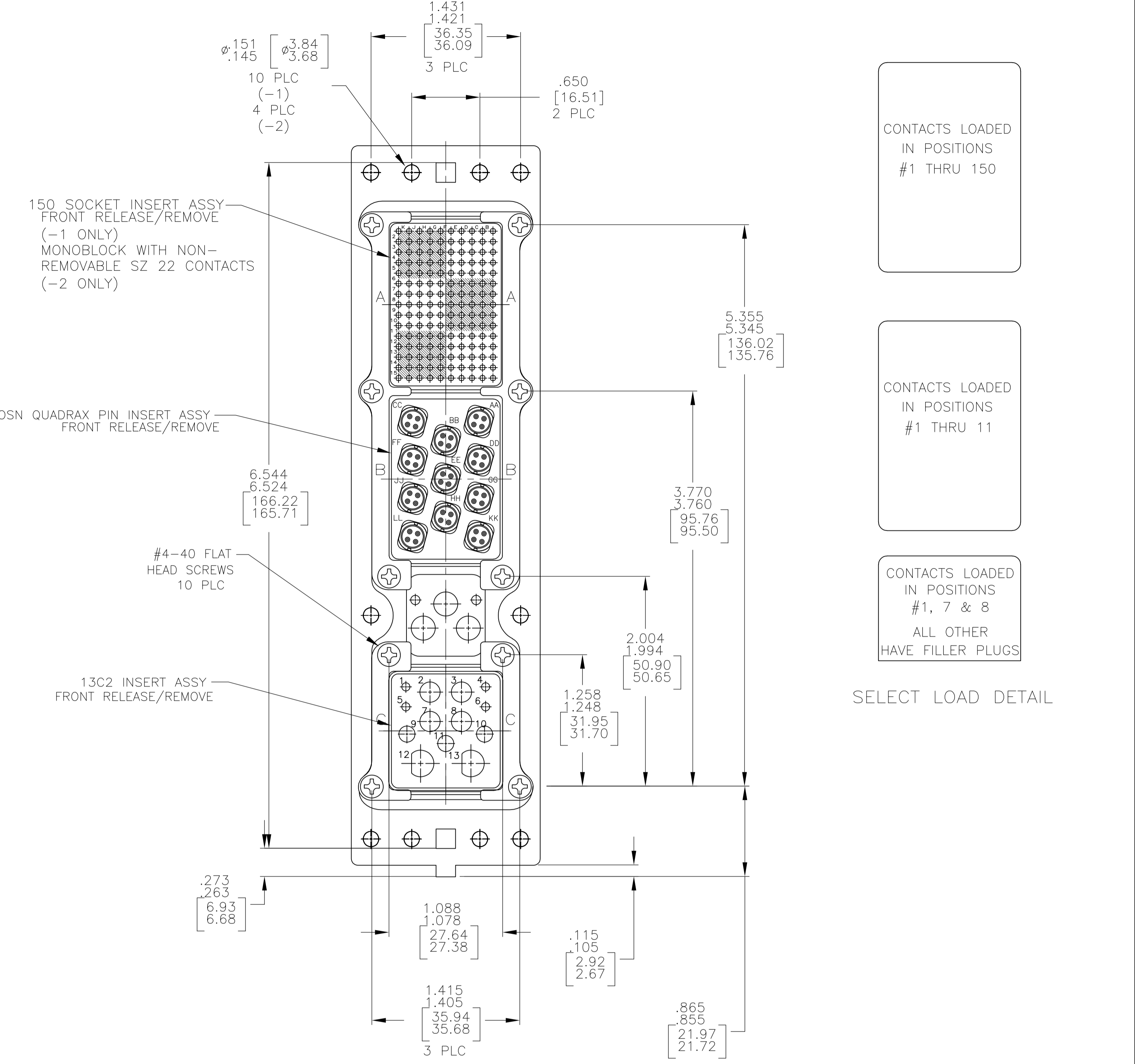
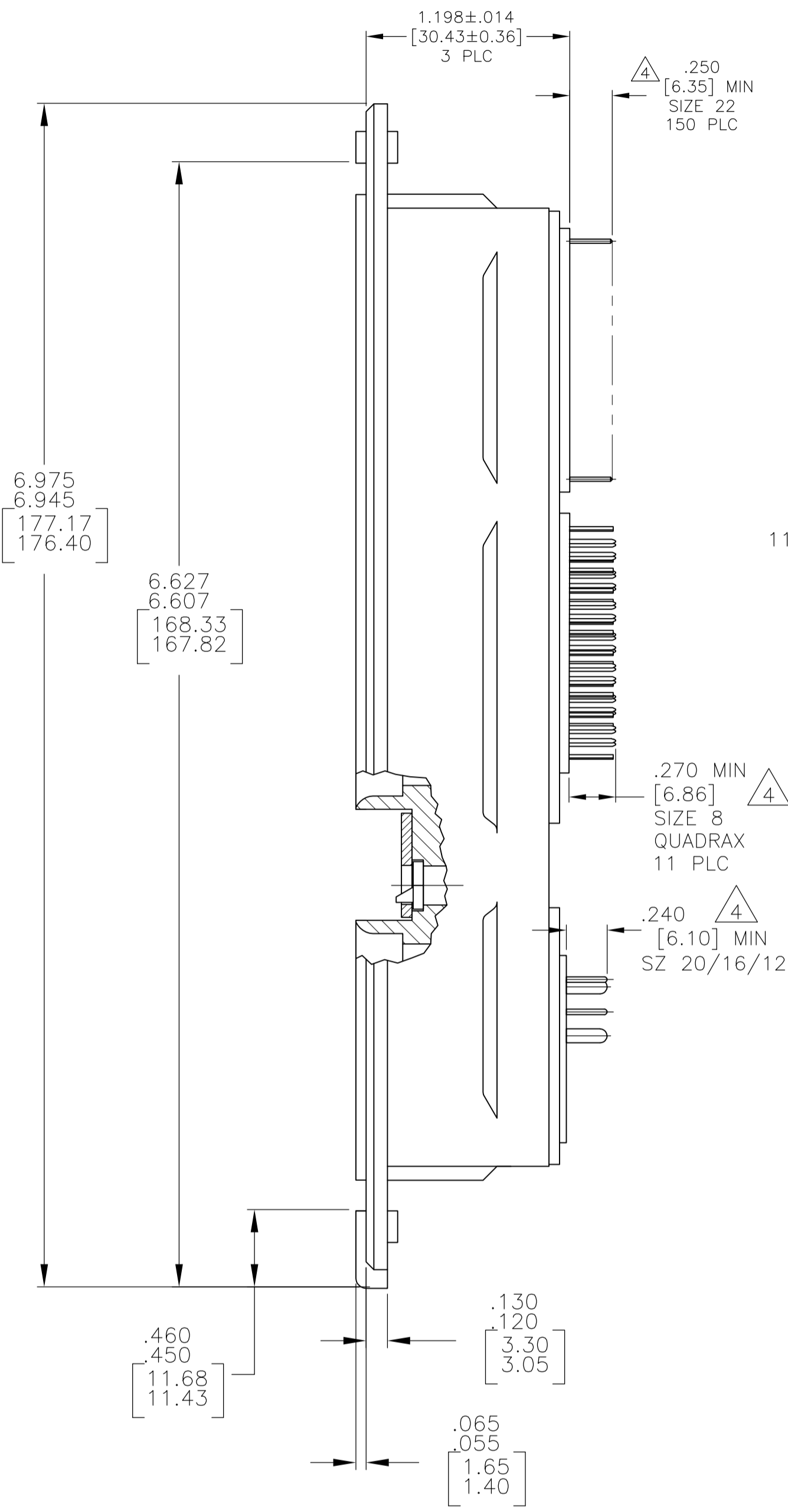
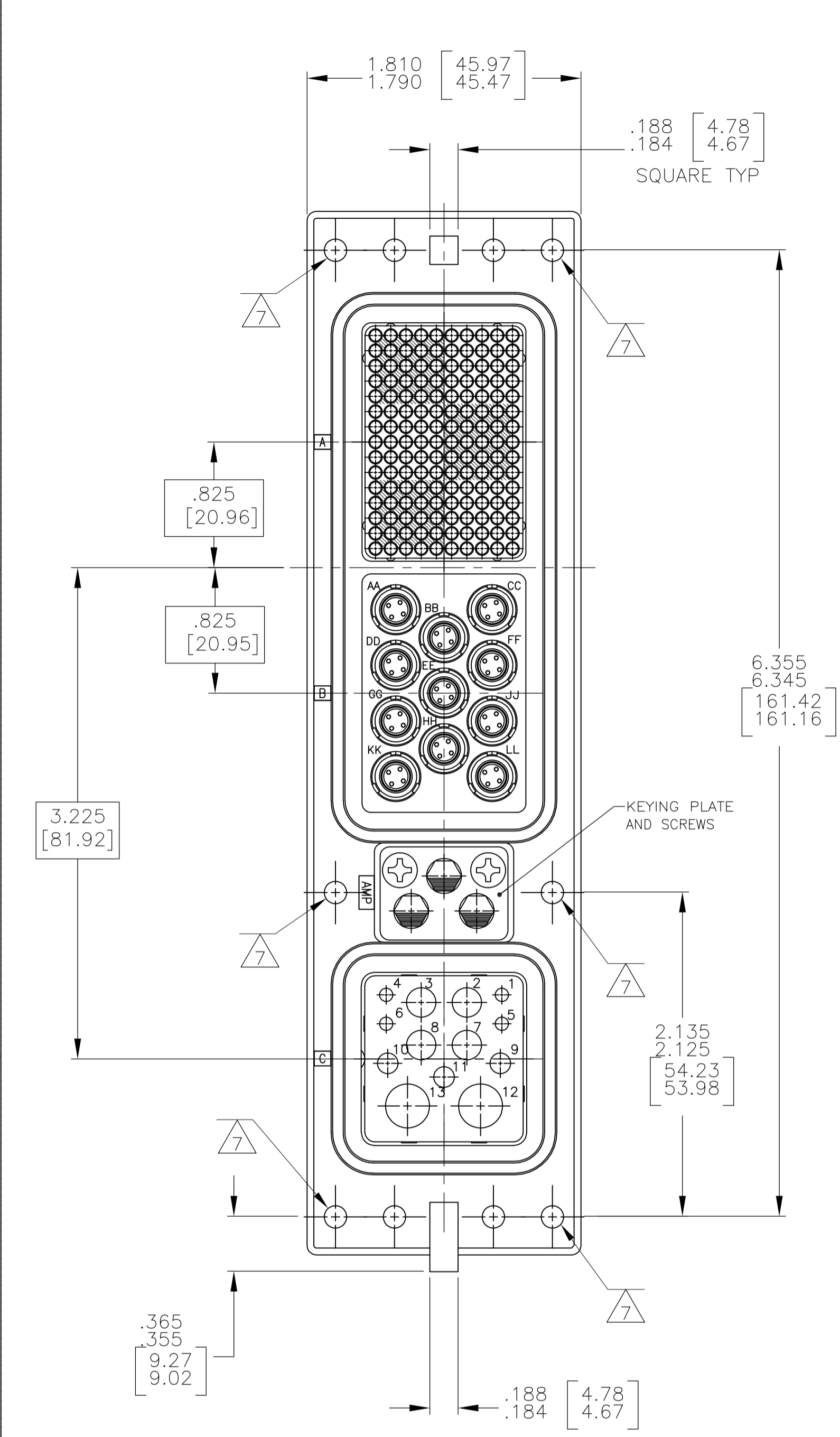


REVISONS		DATE	BY	APVD
C	REV PER ECO 12-014358	8-7-12	CT	WB



CONTACTS LOADED IN POSITIONS #1 THRU 150

CONTACTS LOADED IN POSITIONS #1 THRU 11

CONTACTS LOADED IN POSITIONS #1, 7 & 8
ALL OTHER HAVE FILLER PLUGS

SELECT LOAD DETAIL

- CONNECTOR DIMENSIONS ARE PER ARINC 600 SPECIFICATION.
- DUST COVER IS INSTALLED FOR SHIPPING.
- KEYING SHOWN IN POSITION "01" FOR ILLUSTRATION ONLY. CONNECTORS SHIPPED WITH KEYING INSTALLED IN POSITION PER TABLE. FOR POSITION "00" KEYING HARDWARE SHIPPED UNASSEMBLED.
- WITH CONTACT FULLY SEATED IN CAVITY.
- CONTACTS NOT SHOWN IN FRONT & REAR VIEWS FOR CLARITY, EXCEPT SIZE 8 QUADRAX.
- FOLLOWING CONTACTS & FILLER PLUGS ARE INCLUDED AND LOADED: (-1 ONLY)
 - MODULE A; P/N 211431-4; SIZE 22 POSTED SOCKET CONTACT; QTY = 150.
 - MODULE B; P/N 1445626-4; SIZE 8 POSTED QUADRAX CONTACT; QTY = 11
 - MODULE C; P/N 1-448138-2; SIZE 20 POSTED PIN CONTACT; QTY = 1 LOADED IN POSITION 1. P/N 1663767-2; SIZE 20 FILLER PLUG; QTY = 3 LOADED IN POSITION 4, 5 & 6. P/N 1663767-3; SIZE 16 FILLER PLUG; QTY = 3 LOADED IN POSITION 9, 10 & 11. P/N 1-448140-8; SIZE 12 POSTED PIN CONTACT; QTY = 2 LOADED IN POSITION 7 & 8. P/N 1663767-4; SIZE 12 FILLER PLUG; QTY = 2 LOADED IN POSITION 2 & 3. P/N 1484205-1; SIZE 5 FILLER PLUG; QTY = 2
 - FOLLOWING CONTACTS & FILLER PLUGS ARE INCLUDED AND LOADED: (-2 ONLY)
 - MODULE A; SIZE 22 NON-REMOVABLE SOCKET CONTACTS; QTY = 150.
 - MODULE B: SAME AS -1
 - MODULE C: SAME AS -1
- 6-32 CLINCH NUTS INSTALLED IN THESE HOLES. (-2 ONLY)

COMPONENT	MATERIAL	FINISH
SHELL	DIE CAST ALUMINUM PER ASTM-B-85	ELECTROLESS NICKEL PER MIL-C-26074
RETENTION PLATES	ALUMINUM ALLOY PER ASTM-B-209	ELECTROLESS NICKEL PER MIL-C-26074
SCREWS AND LOCKWASHERS	STEEL OR STAINLESS STEEL	CHROMATE OVER ZINC OR PASSIVATED
POLARIZING KEYS	ZINC ALLOY PER ASTM-B-86	-
POLARIZING KEY RETAINING PLATE	ALUMINUM ALLOY PER ASTM-B-209	BLUE ANODIZED PER MIL-A-8625
11Q11 INSERT	ALUMINUM ALLOY	ELECTROLESS NICKEL PER MIL-C-26074
150 & 13Q2 INSERTS	THERMOSET OR PPS	-

THIS DRAWING IS A CONTROLLED DOCUMENT.

DIMENSIONS: INCHES	TOLERANCES UNLESS OTHERWISE SPECIFIED:	DIN C.C.THOMAS 4-8-09	APVD K.THACKSTON 4-9-09
0 PLC ± .005	1 PLC ± .01	2 PLC ± .015	3 PLC ± .02
4 PLC ± .025	ANGLES ± .5	WEIGHT	RESTRICTED TO

STE TE Connectivity

RCPT ASSY, SIZE 2, ARINC 600 (150/11Q11/13Q2) WITH QUADRAX CONTACTS

SIZE: A1 CAGE CODE: 00779 DRAWING NO: 2101300

CUSTOMER DRAWING SCALE: 3:2 SHEET: 1 OF 1 REV: C

"01"	2101300-2
"01"	2101300-1
KEYING POSITION	PART NUMBER