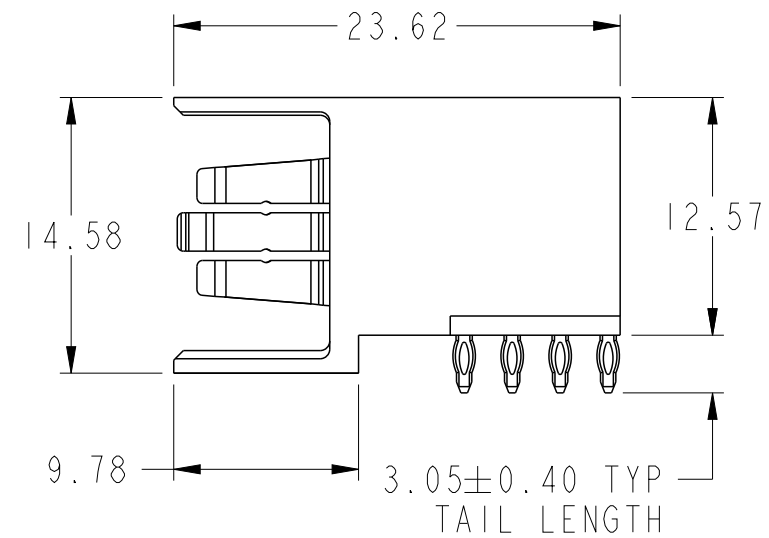
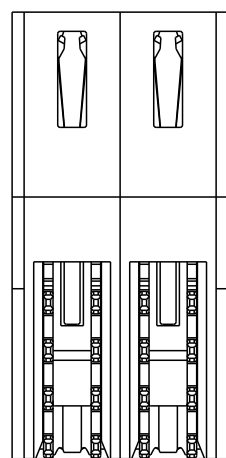
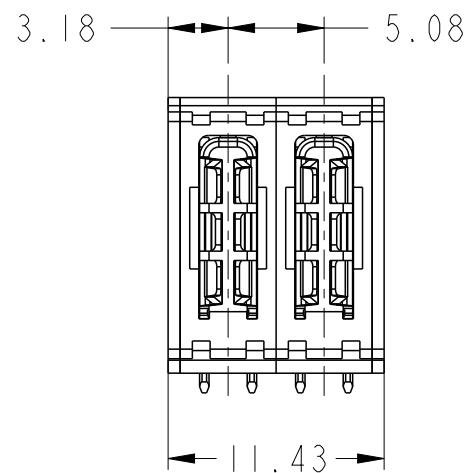
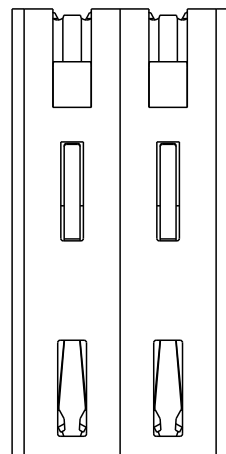


PRODUCT NUMBER SEE SHEET 2



spec ref	*	dr	Rainbow Zhan	2014/09/22	projection	MM	size	A3	scale	3:2								
tolerance std	ASME Y14.5	eng	Rainbow Zhan	2014/09/28			ecn no	-	rel level	Released								
TOLERANCES UNLESS OTHERWISE SPECIFIED		chr	Li-He	2014/09/28			product family	PwrBlade+										
surface	✓	appr	Pei-Ming Zheng	2014/09/28			dwg no	10106133-2000005	rev	A								
ASME Y14.5	linear	<table border="1"> <tr> <td>0.X</td> <td>±0.5</td> </tr> <tr> <td>0.XX</td> <td>±0.25</td> </tr> <tr> <td>0.XXX</td> <td>±0.10</td> </tr> </table>		0.X	±0.5	0.XX	±0.25	0.XXX	±0.10	<table border="1"> <tr> <td>angular</td> <td>0°</td> <td>±2°</td> </tr> </table>		angular	0°	±2°	www.fci.com	title 2HDP RA PF HEADER cat. no.	Product - Customer Drw	sheet 1 of 3
0.X	±0.5																	
0.XX	±0.25																	
0.XXX	±0.10																	
angular	0°	±2°																

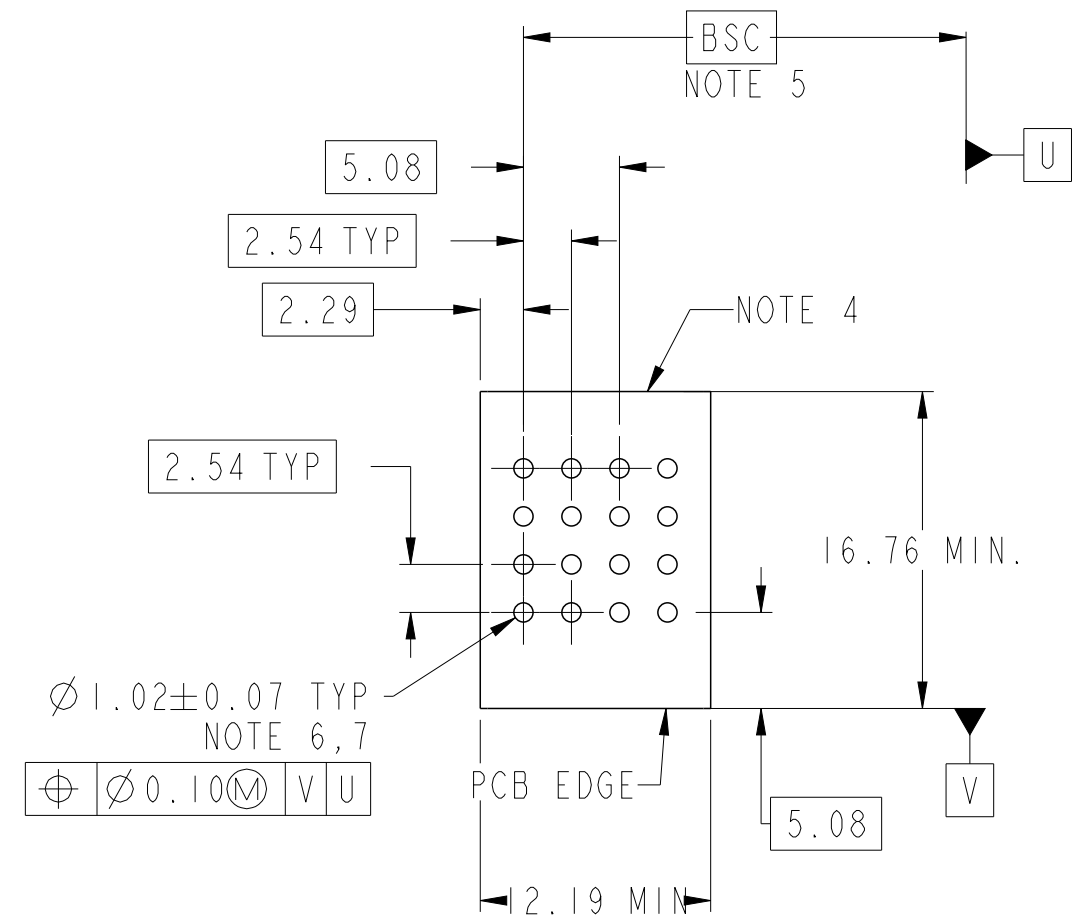
1

2

3

4

PRODUCT NO.	ROWS	HP			
		E1	P1	P2	E2
10106133-2000005LF	D C B A	HE HE			



Copyright FCI.

CODE	DESCRIPTION
HE	STD HIGH POWER CONTACT (3.05)

dr	Rainbow Zhan	2014/09/22	projection 	MM ←→	size	A3	scale	3:2
eng	Rainbow Zhan	2014/09/28			ecn no	-		
chr	Li-He	2014/09/28			rel level	Released		
appr	Pei-Ming Zheng	2014/09/28	product family	PwrBlade+				
		title 2HDP RA PF HEADER		dwg no 10106133-2000005	rev A			
www.fci.com			cat. no.	Product - Customer Drw		sheet 2 of 3		

1

2

3

PDS: Rev :A

STATUS:Released

Printed: Sep 29, 2014

NOTES:

- 1) "FCI", PART NUMBER AND DATE CODE TO BE MARKED ON THIS SURFACE.
THE MARK CAN BE OMITTED IF THERE IS NOT ENOUGH SPACE ON THIS SURFACE.
- 2) MATERIALS:
-HOUSING - GLASS FILLED WITH HIGH TEMP THERMOPLASTIC, UL94V-0.
-SIGNAL CONTACT - COPPER ALLOY.
-POWER CONTACT - HIGH CONDUCTIVITY COPPER ALLOY.
- 3) PLATING SPECIFICATION REFER TO FCI 10116351
- 4) DENOTES CONNECTOR KEEP OUT ZONE.
- 5) DATUM AND BASIC DIMENSIONS WERE ESTABLISHED BY CUSTOMER.
- 6) ALL HOLE DIAMETERS ARE FINISHED HOLE SIZES.
- 7) 1.15 ± 0.025 MM DRILLED HOLE PLATED WITH 0.00762MM MIN Sn
OVER 0.0254-0.0762MM Cu PLATING TO ACHIEVE A 1.02 ± 0.07 MM HOLE.
- 8) PRODUCT SPECIFICATION REFER TO FCI GS-12-658.
APPLICATION SPECIFICATION REFER TO FCI GS-20-141.
PRODUCT PACKAGED IN TRAYS, REFER TO FCI GS-14-1502.



Copyright FCI.

dr	Rainbow Zhan	2014/09/22	projection 	MM 	size	A3	scale	3:2		
eng	Rainbow Zhan	2014/09/28			ecn no	-				
chr	Li-He	2014/09/28			rel level	Released				
appr	Pei-Ming Zheng	2014/09/28	product family	PwrBlade+						
		title			2HDP	dwg no		10106133-2000005	rev	A
www.fci.com		cat. no.			Product - Customer Drw			sheet 3 of 3		