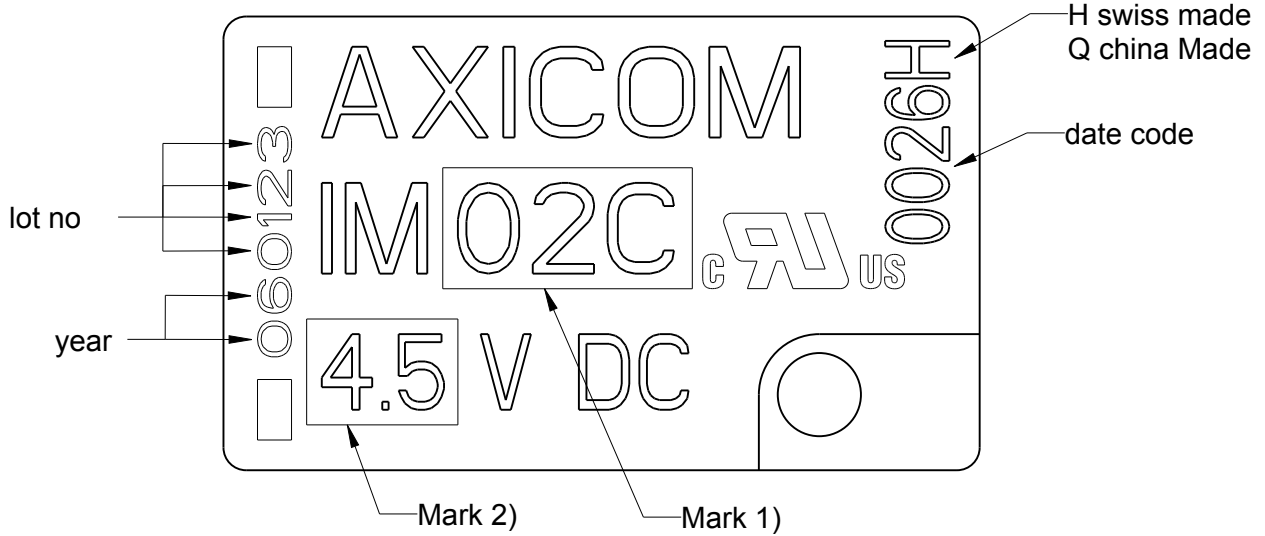


LOC	DIST	REVISIONS					
HJ	-	P	LTR	DESCRIPTION	DATE	DWN	APVD
		B11		New IM41X, IMF61, IMB41C, IMB42C	20JUL2010	UKo	JB
		B12		New IM46CGR, IMF68HR	19OCT2011	UKo	JB
		B13		ECR-12-014500 (IMD obsolete)	18DEC2012	UKo	AK
		B14		ECR-12-021486 (Marking C to Q)	20DEC2012	UKo	JB


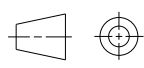


Relay-Typ	Mark 1)	Mark 2)	PN (GR)	PN (JR)	PN (TS)	PN (KS/NS)
IM00..	00	1.5	3-1462037-7	3-1462037-9	3-1462037-5	
IM00NS	00N	1.5				1-1462038-0
IM01..	01	3	1462037-1	4-1462037-0	1462037-4	
IM01..L	01	3			*4-1462039-4	
IM01B..	01B	3	<input type="checkbox"/> 4-1462039-5			
IM01C..	01C	3	1462038-4		9-1462038-6	
IM01NS	01N	3				1-1462038-1
IM01N..L	01N	3				4-1462039-3
IM02..	02	4.5	1462037-9	1-1462037-1	1-1462037-3	6-1462039-4
IM02..L	02	4.5	2-1462039-3			
IM02C..	02C	4.5	1462038-1			
IM02D..	02D	4.5	9-1462038-8			
IM02H..	02H	4.5	1-1462039-1			
IM02NS	02N	4.5				1-1462038-2
IM02NS..L	02N	4.5				2-1462039-4
IM02P..	02P	4.5	5-1462039-4			

*obsolete

7-1462039-1 (2nd PN)

DRAWING ALIAS: IM0C-DOK17

DIMENSIONS: mm	DWN HD 9121	21FEB2003	MATERIAL	-	FINISH	-				
	CHK HD 9121	21FEB2003	 TE Connectivity							
TOLERANCES UNLESS OTHERWISE SPECIFIED: DIN 7168-m	APVD HD 9121	21FEB2003					NAME IM-Relay Marking			
	PRODUCT SPEC	-	SIZE	A4	CAGE CODE	C-00779	DRAWING NO	C-1462037-1	RESTRICTED TO	-
0 PLC ±-	1 PLC ±-	2 PLC ±-	3 PLC ±-	4 PLC ±-	ANGLES ±-	APPLICATION SPEC: - WEIGHT: - CUSTOMER DRAWING				
		SCALE 10:1			SHEET 1 OF 6		REV B14			

LOC HJ	DIST -	REVISIONS					
		P	LTR	DESCRIPTION	DATE	DWN	APVD
				See sheet 1			

Relay-Typ	Mark 1)	Mark 2)	PN (GR)	PN (JR)	PN (TS)	PN (KS/NS)
IM02PNS	02P	4.5				5-1462039-8
IM03..	03	5	1-1462037-4	1-1462037-6	1-1462037-8	6-1462039-2
IM03..L	03	5	2-1462039-5			
IM03C..	03C	5	1462038-2		4-1462039-7	
IM03D..	03D	5	9-1462038-9	3-1462039-3		
IM03NS	03N	5				1-1462038-3
IM03P..	03P	5	5-1462039-5			
IM03PNS	03P	5				5-1462039-9
IM04..	04	6	4-1462037-2	4-1462037-4	4-1462037-1	
IM04B..	04B	6	6-1462039-5			
IM04NS	04N	6				1-1462038-4
IM05..	05	9	3-1462037-4	4-1462037-5	2-1462037-2	
IM05B..	05B	9	5-1462039-3			
IM05C..	05C	9	1462038-3			
IM05D..	05D	9	1-1462039-7			
IM05NS	05N	9				1-1462038-5
IM06..	06	12	2-1462037-3	4-1462037-6	2-1462037-7	
IM06..L	06	12	5-1462039-1	4-1462039-0		
IM06C..	06C	12	9-1462037-9	3-1462039-4	4-1462037-9	
IM06D..	06D	12	1-1462039-8	7-1462039-0	3-1462039-8	
IM06I..	06I	12	1462047-2			
IM06NS	06N	12				1-1462038-6
IM06NSL	06N	12				4-1462039-9
IM06P..	06P	12	5-1462039-6			
IM06PNS	06P	12				6-1462039-0
IM07..	07	24	4-1462037-7	4-1462037-8	3-1462037-0	
IM07C..	07C	24	1462039-2		1462039-1	
IM07D..	07D	24	3-1462039-7	7-1462039-4		
IM07NS	07N	24				1-1462038-7

2000


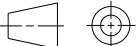
RELEASED FOR PUBLICATION

THIS DRAWING IS UNPUBLISHED.

ALL RIGHTS RESERVED.

© COPYRIGHT 2000

DRAWING ALIAS: **IM0C-DOK17**

DIMENSIONS: mm	DWN HD 9121	21FEB2003	MATERIAL	FINISH	
	CHK HD 9121	21FEB2003	 TE Connectivity		
TOLERANCES UNLESS OTHERWISE SPECIFIED: DIN 7168-m	APVD HD 9121	21FEB2003			
0 PLC ±-	PRODUCT SPEC	IM-Relay Marking			
1 PLC ±-	-				
2 PLC ±-	APPLICATION SPEC	NAME	SIZE	CAGE CODE	DRAWING NO
3 PLC ±-	-	A4		00779	C- 1462037-1
4 PLC ±-	WEIGHT	RESTRICTED TO			
ANGLES ±-	-	-			
	CUSTOMER DRAWING		SCALE	SHEET	REV
			10:1	2 OF 6	B14

LOC HJ	DIST -	REVISIONS					
		P	LTR	DESCRIPTION	DATE	DWN	APVD
				See sheet 1			

2000

RELEASED FOR PUBLICATION


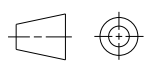
THIS DRAWING IS UNPUBLISHED.

ALL RIGHTS RESERVED.

© COPYRIGHT 2000

Relay-Typ	Mark 1)	Mark 2)	PN (GR)	PN (JR)	PN (TS)	PN (KS/NS)
IM08..	08	2.4	6-1462039-3			
IM11..	11	3	9-1462038-5			
IM12..	12	4.5	1462039-3			
IM13..	13	5	1462039-4			
IM16..	16	12	1462039-5			
IM17..	17	24	1462039-6		4-1462039-6	
IM17C..	17C	24	1462039-7			
IM21..	21	3	2-1462039-6		1-1462039-5	
IM22..	22	4.5	2-1462039-7		2-1462039-8	
IM22D..	22D	4.5			7-1462039-6	
IM23..	23	5	2-1462039-9		3-1462039-0	
IM25..	25	9	3-1462039-5		3-1462039-6	
IM26..	26	12	3-1462039-1		3-1462039-2	
IM32H..	32H	4.5	2-1462039-0			
IM33H..	33H	5	2-1462039-1			
IM40..	40	1.5	5-1462037-1	5-1462037-2	5-1462037-0	
IM40NS	40N	1.5				1-1462038-8
IM41..	41	3	5-1462037-4	5-1462037-5	5-1462037-3	
IM41C..	41C	3	4-1462039-2			
IM41NS	41N	3				1-1462038-9
IM41X..	(42)41	(4.5)3	5-1462037-X			
IM42..	42	4.5	3-1462037-1	5-1462037-7	5-1462037-6	
IM42C..	42C	4.5	4-1462039-1			
IM42D..	42D	4.5	1-1462039-9			
IM42DNS	42D	4.5				1-1462039-6
IM42NS	42N	4.5				2-1462038-0
IM42P..	42P	4.5	5-1462039-7			
IM42PNS	42P	4.5				7-1462039-8
IM42R..	42R	4.5	6-1462039-9			

DRAWING ALIAS: **IM0C-DOK17**


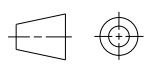
DIMENSIONS: mm	DWN HD 9121	21FEB2003	MATERIAL	FINISH	
	CHK HD 9121	21FEB2003	 TE Connectivity		
TOLERANCES UNLESS OTHERWISE SPECIFIED: DIN 7168-m	APVD HD 9121	21FEB2003			
0 PLC ±- 1 PLC ±- 2 PLC ±- 3 PLC ±- 4 PLC ±- ANGLES ±-	PRODUCT SPEC	NAME IM-Relay Marking			
	APPLICATION SPEC	SIZE	CAGE CODE	DRAWING NO	RESTRICTED TO
	WEIGHT	A4	00779	C - 1462037-1	-
	CUSTOMER DRAWING			SCALE	SHEET
			10:1	3	6
			REV		B14

LOC HJ	DIST -	REVISIONS					
		P	LTR	DESCRIPTION	DATE	DWN	APVD
				See sheet 1			

Relay-Typ	Mark 1)	Mark 2)	PN (GR)	PN (JR)	PN (TS)	PN (KS/NS)
IM43..	43	5	5-1462037-9	6-1462037-0	5-1462037-8	
IM43C..	43C	5	9-1462038-7			
IM43NS	43N	5				2-1462038-1
IM43P	43P	5	7-1462039-3			
IM44..	44	6	6-1462037-2	6-1462037-3	6-1462037-1	
IM44NS	44N	6				2-1462038-2
IM45..	45	9	6-1462037-4	6-1462037-5	3-1462037-2	
IM45NS	45	9				2-1462038-3
IM46..	46	12	6-1462037-7	6-1462037-8	6-1462037-6	
IM46..L	46	12	5-1462039-2			
IM46C..	46C	12	8-1462039-0			
IM46NS	46N	12				2-1462038-4
IM46NSL	46N	12				5-1462039-0
IM46PNS	46P	12				6-1462039-4
IM47..	47	24	7-1462037-0	7-1462037-1	6-1462037-9	
IM47D..	47D	24		7-1462039-5		
IM47NS	47N	24				2-1462038-5
IM48..	48	2.4	1462039-8			
IM48D..	48D	2.4	1462039-9			
IM48I..	48I	2.4	1462047-1			
IM49D..	49D	2	2-1462039-2			
IM51D..	51D	3	1-1462039-4	1-1462039-3		
IM61..	61	3	7-1462039-7			

2000
 RELEASED FOR PUBLICATION
 ALL RIGHTS RESERVED.
 THIS DRAWING IS UNPUBLISHED.
 © COPYRIGHT 2000

DRAWING ALIAS: **IM0C-DOK17**

DIMENSIONS: mm		DWN HD 9121 21FEB2003	MATERIAL -	FINISH -	
TOLERANCES UNLESS OTHERWISE SPECIFIED: DIN 7168-m		CHK HD 9121 21FEB2003	 TE Connectivity		
		APVD HD 9121 21FEB2003			
0 PLC ±-		PRODUCT SPEC -		NAME IM-Relay Marking	
1 PLC ±-		APPLICATION SPEC -			
2 PLC ±-		WEIGHT -		SIZE A4	CAGE CODE 00779
3 PLC ±-				DRAWING NO C-1462037-1	RESTRICTED TO -
4 PLC ±-				SCALE 10:1	
ANGLES ±-		CUSTOMER DRAWING		REV B14	

LOC HJ	DIST -	REVISIONS					
		P	LTR	DESCRIPTION	DATE	DWN	APVD
				See sheet 1			

Relay-Typ	Mark 1)	Mark 2)	PN (GR)	PN (JR)	PN (TS)	PN (KS/NS)
IMA01C	A01C	3	1-1462040-1		1-1462040-5	
IMA02C	A02C	4.5	1-1462040-2		1-1462040-6	
IMA03C	A03C	5	1-1462040-3		1-1462040-7	
IMA06C	A06C	12	1-1462040-4		1-1462040-8	
IMB01C..	B01C	3	1462041-1		1462041-4	
IMB02C..	B02C	4.5	1462041-2		1462041-5	
IMB03C..	B03C	5	1462041-7		1462041-8	
IMB04C..	B04C	6	1462041-9		1-1462041-1	
IMB05C..	B05C	9	1-1462041-0		1-1462041-2	
IMB06C..	B06C	12	1462041-3		1462041-6	
IMB07C..	B07C	24	1-1462041-3		1-1462041-4	
IMB41C..	B41C	3	1-1462041-7			
IMB42C..	B42C	4.5	1-1462041-6		1-1462041-5	
IMC01..	C01	3	1462042-1		1462042-4	
IMC02..	C02	4.5	1462042-2		1462042-5	
IMC03..	C03	5	1462042-8		1462042-7	
IMC06..	C06	12	1462042-3		1462042-6	
IMC07..	C07	24	1-1462042-1		1-1462042-2	
IMC02C..	C02C	4.5	1-1462042-0			
IMC06C..	C06C	12	1462042-9			
IMC41C..	C41C	3			1-1462042-3	

2000


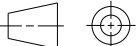
RELEASED FOR PUBLICATION

ALL RIGHTS RESERVED.

THIS DRAWING IS UNPUBLISHED.

© COPYRIGHT 2000

DRAWING ALIAS: **IM0C-DOK17**

DIMENSIONS: mm	DWN HD 9121	21FEB2003	MATERIAL	-	FINISH	-
	CHK HD 9121	21FEB2003	 TE Connectivity			
TOLERANCES UNLESS OTHERWISE SPECIFIED: DIN 7168-m	APVD HD 9121	21FEB2003				
0 PLC ±-	PRODUCT SPEC	-	IM-Relay Marking			
1 PLC ±-	APPLICATION SPEC	-				
2 PLC ±-	WEIGHT	-	SIZE	CAGE CODE	DRAWING NO	RESTRICTED TO
3 PLC ±-			A4	00779	C - 1462037-1	-
4 PLC ±-			CUSTOMER DRAWING			
ANGLES ±-			SCALE	10:1	SHEET	5 OF 6
			REV B14			

LOC HJ	DIST -	REVISIONS					
		P	LTR	DESCRIPTION	DATE	DWN	APVD
				See sheet 1			

Relay-Typ	Mark 1)	Mark 2)	PN (GR)	PN (JR)	PN (TS)	PN (KS/NS)
IMD01..	D01	3	*1462044-1		*1462044-5	
IMD02..	D02	4.5	*1462044-2		*1462044-6	
IMD03..	D03	5	*1462044-3		*1462044-7	
IMD06..	D06	12	*1462044-4		*1462044-8	
IME01..	E01	3	1462043-1		1462043-5	
IME02..	E02	4.5	1462043-2		1462043-6	
IME03..	E03	5	1462043-3		1462043-7	
IME06..	E06	12	1462043-4		1462043-8	
IMF61..	F61	3	1462048-3			
IMF68..	F68	2.4	1-1462048-0			
IMV03..	V03	5			1462045-3	
IMV06..	V06	12	1462045-4			

2000


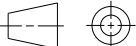
RELEASED FOR PUBLICATION

ALL RIGHTS RESERVED.

© COPYRIGHT 2000

*obsolete

DRAWING ALIAS: **IM0C-DOK17**

DIMENSIONS: mm	DWN HD 9121	21FEB2003	MATERIAL	-	FINISH	-
	CHK HD 9121	21FEB2003	 TE Connectivity			
TOLERANCES UNLESS OTHERWISE SPECIFIED: DIN 7168-m	APVD HD 9121	21FEB2003				
0 PLC ±-	PRODUCT SPEC	-	IM-Relay Marking			
1 PLC ±-	APPLICATION SPEC	-				
2 PLC ±-	WEIGHT	-	SIZE	CAGE CODE	DRAWING NO	RESTRICTED TO
3 PLC ±-			A4	00779	C - 1462037-1	-
4 PLC ±-			CUSTOMER DRAWING			
ANGLES ±-			SCALE	10:1	SHEET	6 OF 6
					REV	B14