

2 Nm RE1 10 and 17 Watts 17 W Part number made to order



- Torque rating of gearboxes : 2 Nm, metal gears
- Motors : nominal power 9 W and 15 W
- Speed range : 60 to 400 rpm
- Cyclic operation only
- Replaceable brushes

Part numbers

| | Type | Type | Voltage | Output speed (rpm) | Ratios (i) |
|----------|------|--------|---------|--------------------|------------|
| 80803009 | 17 W | 808030 | 24 V | 80 | 32,5 |

Specifications

General characteristics

| | |
|--|--------|
| Motor | 828000 |
| Gearbox | 810430 |
| Maximum permitted torque from gearmotor under continuous conditions for 1 million turns (Nm) | 2 |
| Axial load dynamic (daN) | 2 |
| Radial load dynamic (daN) | 2 |
| Max. output power (W) | 17 |
| Nominal output (W) | 15,6 |
| Gearbox case temperature rise (°C) | 40 |
| Weight (g) | 600 |

Made to order products, available on request

Motors :

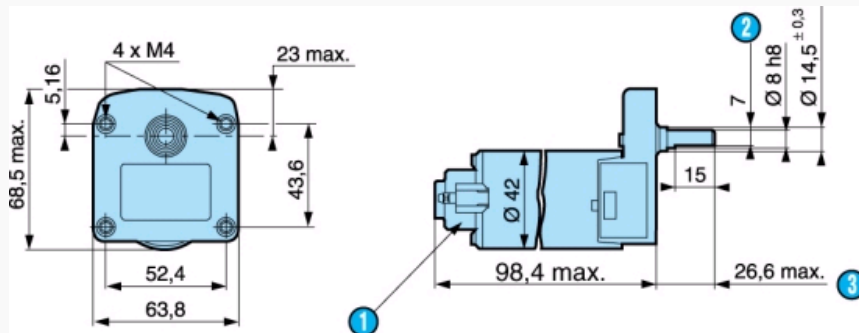
- Special interference suppression
- Other supply voltages
- Motor with 1 ball bearing
- Shaft lengths at front and/or rear
- 1 or 5 pulses/revolution magnetic encoder
- Other fixing flanges on front

Gearboxes :

- Special greasing
- Other reduction ratios

Dimensions (mm)

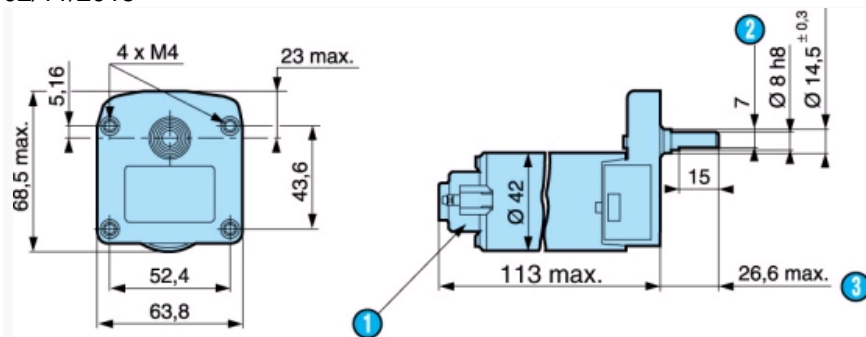
808030 standard



| N° | Legend |
|----|----------------------------------|
| 1 | 2 tags IEC 760, series 4.8 x 0.5 |
| 2 | 7 across flats |
| 3 | Shaft pushed-in |

Dimensions (mm)

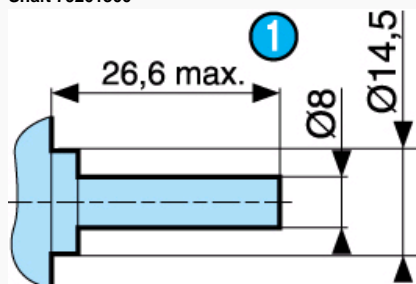
808030 encoder



| N° | Legend |
|----|----------------------------------|
| 1 | 2 tags IEC 760, series 4.8 x 0.5 |
| 2 | 7 across flats |
| 3 | Shaft pushed-in |

Dimensions (mm)

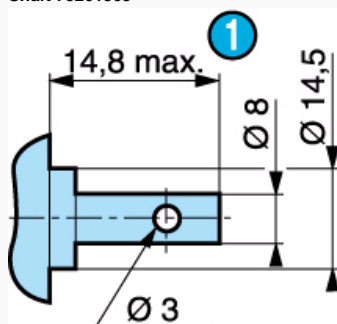
Shaft 79261300



| N° | Legend |
|----|-----------------|
| 1 | Shaft pushed-in |

Dimensions (mm)

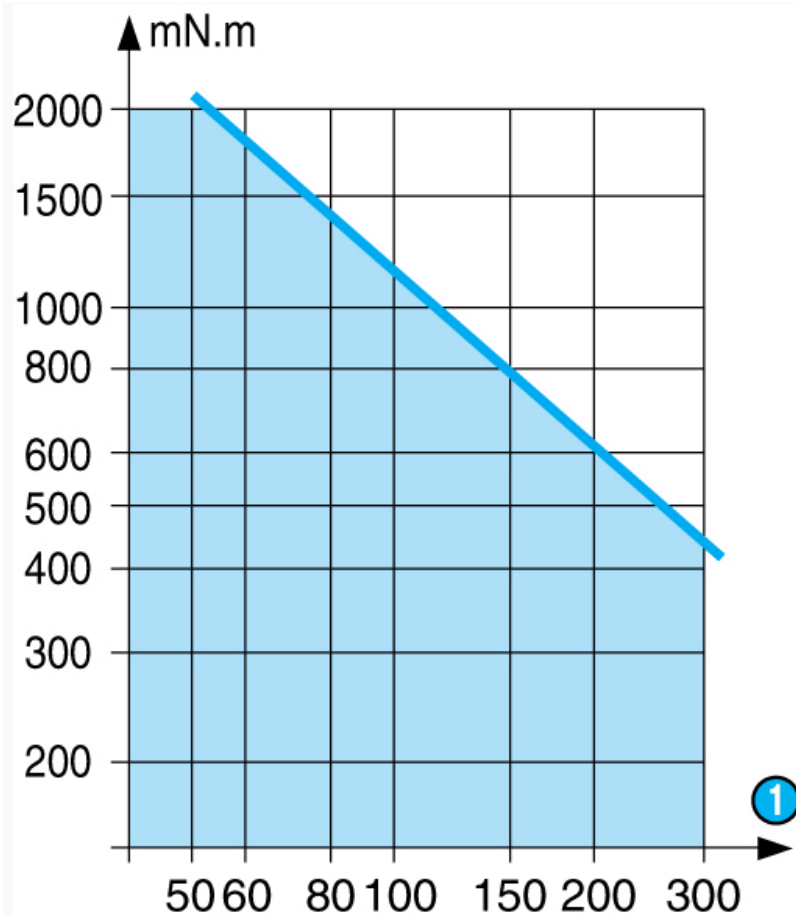
Shaft 79261309



| N° | Legend |
|----|-----------------|
| 1 | Shaft pushed-in |

Curves

Curve : torque/nominal speed 808030



| N° | Legend |
|----|--------|
| 1 | rpm |

Product adaptations



- Special supply voltage
- Optical or Hall effect encoder
- Special connections
- Special shaft
- Special reduction ratio
- Special materials for gears
- Special ball bearings
- Special adaptor plate
- With 828105 or 828005 motors