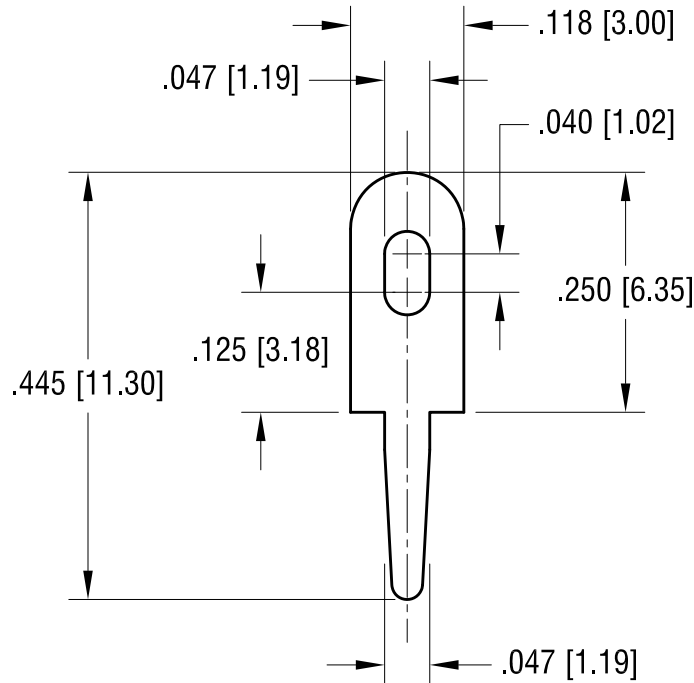


THIS DOCUMENT IS THE PROPERTY OF  
KEYSTONE ELECTRONICS CORP. AND  
SHALL NOT BE REPRODUCED, DISTRIBUTED  
OR USED AS A BASIS FOR MANUFACTURE  
WITHOUT PRIOR WRITTEN PERMISSION  
FROM KEYSTONE ELECTRONICS CORP.

ACTUAL SIZE



**KEYSTONE ELECTRONICS CORP.**

www.keyelco.com • ASTORIA, N.Y. 11105-2017 • Tel (718) 956-8900

PART NAME  
**PC TEST POINT TERMINAL**

MATERIAL  
**.025 [0.63] TH'K BRASS**

FINISH <b>MATTE TIN PLATE</b>	DRN BY <b>BOONE</b>	DATE <b>11.8.93</b>
	APP'D <b>LN</b>	SCALE <b>5X</b>

TOLERANCES DECIMAL $\pm .005$ [ $\pm 0.13$ ] ANGULAR $\pm 1^\circ$ UNLESS OTHERWISE SPECIFIED	CODE <b>C</b>	DWG NO. <b>1249</b>
--	------------------	------------------------

4.03.14	CHANGE AS PER ECN 14-040	B
6.30.09	CHANGE AS PER ECN 09-091	A
DATE	DESCRIPTION	REV.