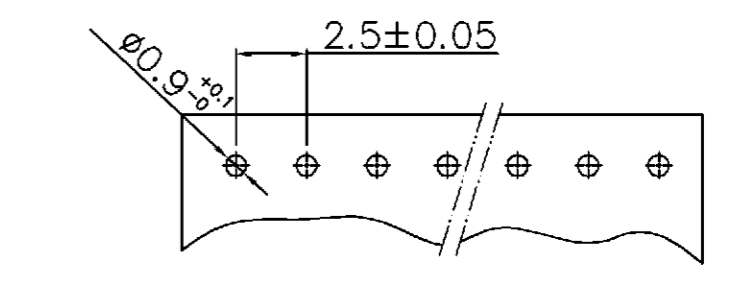
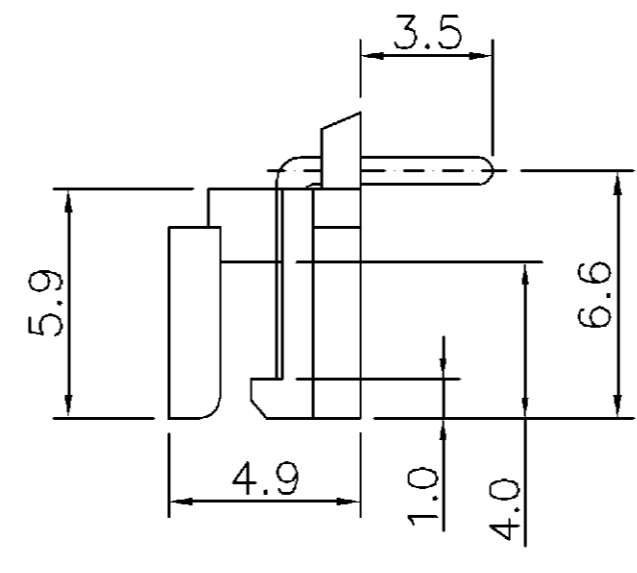
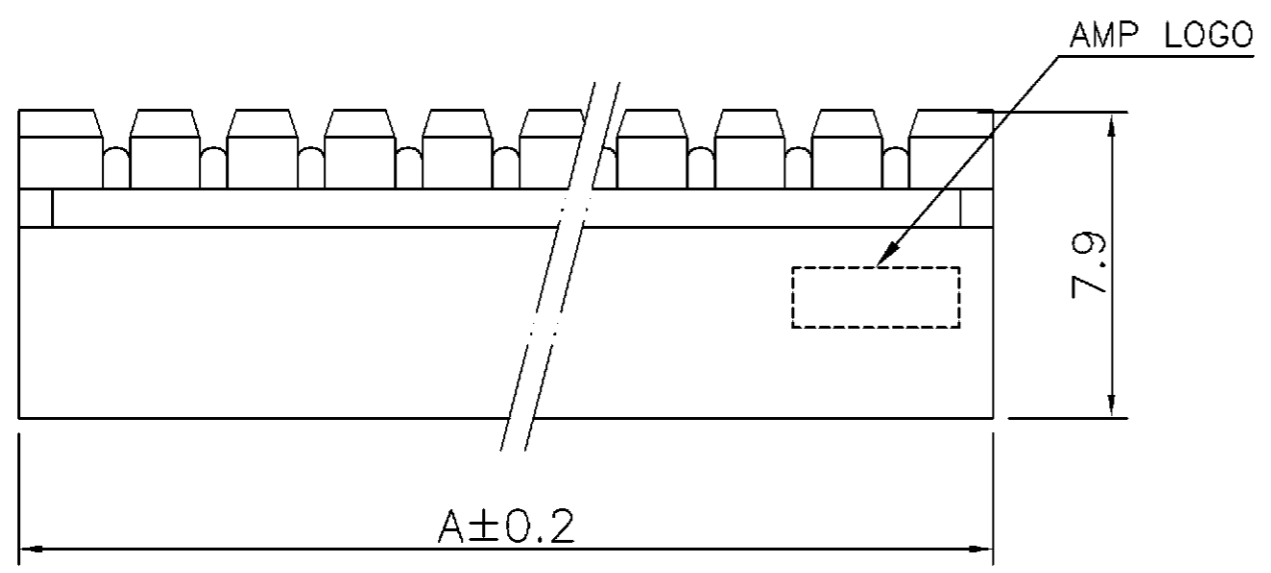


NUMBER C-1470225

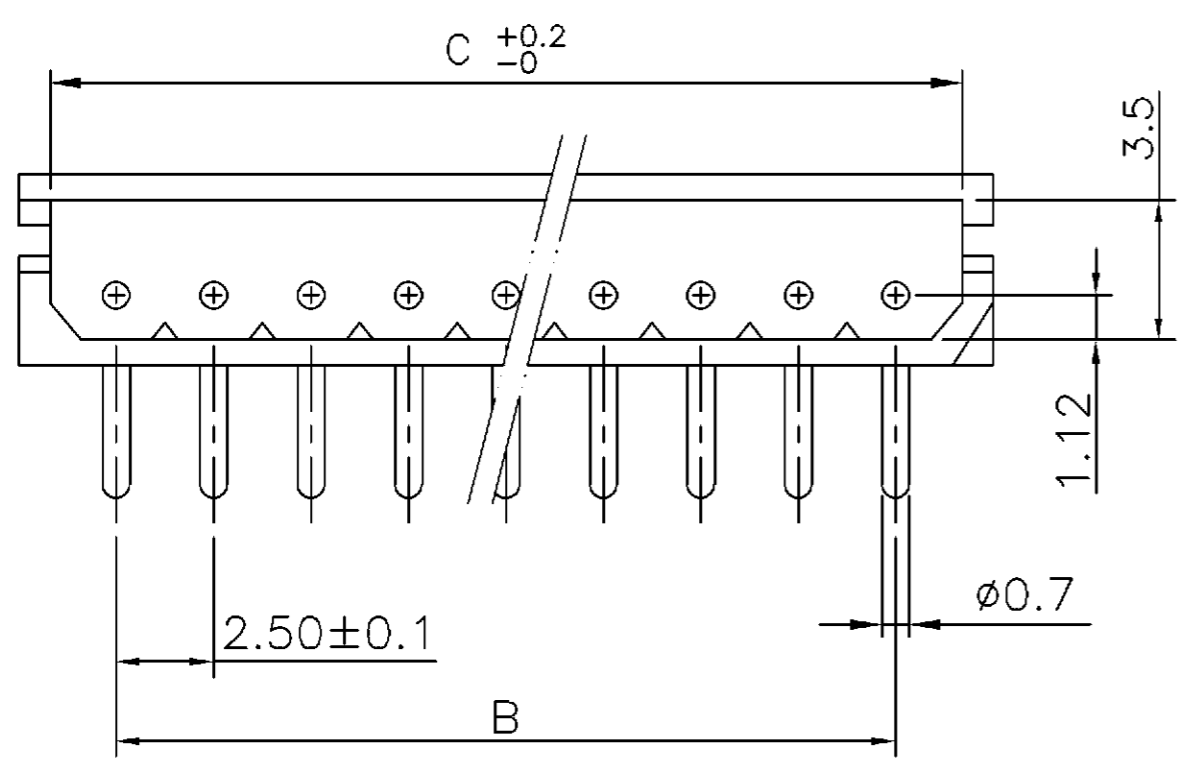
3RD ANGLE PROJECTION

METRIC

THIS INFORMATION IS CONFIDENTIAL AND IS DISCLOSED TO YOU ON CONDITION THAT NO FURTHER DISCLOSURE IS MADE BY YOU TO OTHER THAN AMP PERSONNEL WITHOUT WRITTEN AUTHORIZATION FROM AMP (TAIWAN) LTD. DIMENSIONS IN MILLIMETERS. DO NOT SCALE PRINT.



RECOMMENDED PCB LAYOUT (THICKNESS: 1.6MM)
(TOP VIEW) (TOLERANCE: ±0.05)



OBSOLETE 3	38.4	35.00 ±0.20	40.0	15	1-1470225-5
	35.9	32.50 ±0.20	37.5	14	1-1470225-4
	33.4	30.00 ±0.20	35.0	13	1-1470225-3
	30.9	27.50 ±0.20	32.5	12	1-1470225-2
	28.4	25.00 ±0.20	30.0	11	1-1470225-1
	25.9	22.50 ±0.15	27.5	10	1-1470225-0
	23.4	20.00 ±0.15	25.0	9	0-1470225-9
	20.9	17.50 ±0.15	22.5	8	0-1470225-8
	18.4	15.00 ±0.15	20.0	7	0-1470225-7
	15.9	12.50 ±0.10	17.5	6	0-1470225-6
	13.4	10.00 ±0.10	15.0	5	0-1470225-5
3 OBSOLETE	10.9	7.50 ±0.10	12.5	4	0-1470225-4
	8.4	5.00 ±0.10	10.0	3	0-1470225-3
3 OBSOLETE	5.9	2.50 ±0.10	7.5	2	0-1470225-2
	C	B	A	POS.	PART NUMBER

NOTE:

- MATERIAL :
HOUSING : THERMOPLASTIC UL94V-2, IVORY COLOR.
CONTACT : COPPER ALLOY.
- FINISH:
CONTACT : TIN PLATED ON CONTACT AREA.
NICKEL UNDERPLATED OVER ALL.

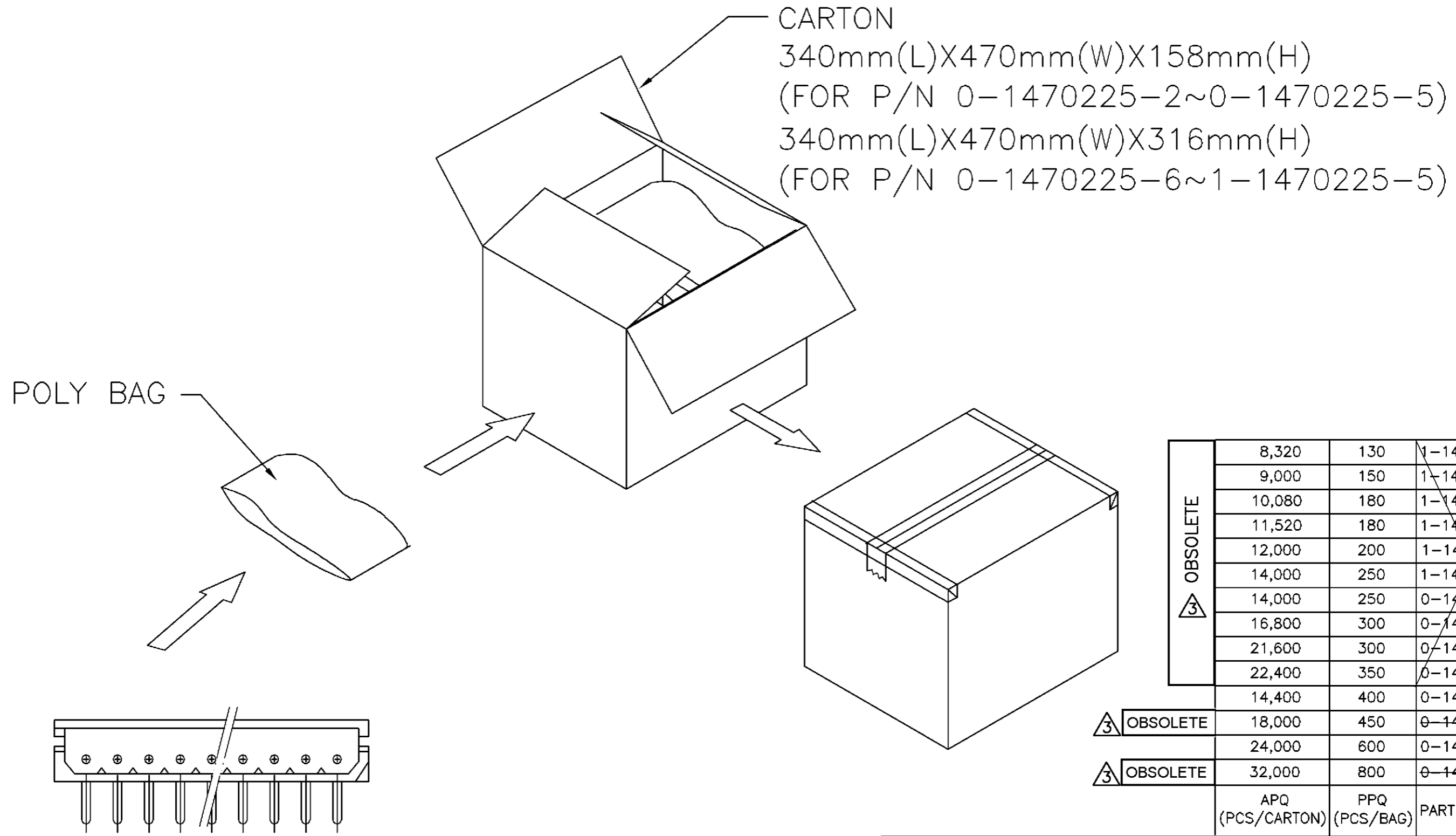
3 OBSOLETE PARTS: OBSOLETE CIS STREAMLINING PER D.RENAUD/D.SINISI

B1	REVISED	ECO-09-026495	KK/AEG	28NOV 09
B	REVISED	FZ00-0167-02	OH/JC	30JUL 2002
A	REVISED	FZ00-0115-02	OH/JC	17MAY 2002
LTR	REVISION RECORD	ECN	DWN/CHK	DATE

DWN	O. HU	30-JUL-2002	tyco	TYCO HOLDINGS (BERMUDA) VII LTD. TAIWAN BRANCH
	CHK			
MATERIAL	APVD	J. WU	2.5mm PITCH EMIX, POST HEADER, RIGHT ANGLE.	NAME
	PRODUCT SPEC	108-57175		
FINISH	QUALIFICATION TEST REPORT	501-57195	LOC DW	SIZE A ₃
	WEIGHT		DRAWING NO	C-1470225
			SCALE	SHEET
			--	1 OF 2

THIS INFORMATION IS CONFIDENTIAL AND IS DISCLOSED TO YOU ON CONDITION THAT NO FURTHER DISCLOSURE IS MADE BY YOU TO OTHER THAN AMP PERSONNEL WITHOUT WRITTEN AUTHORIZATION FROM AMP (TAIWAN) LTD. DIMENSIONS IN MILLIMETERS. DO NOT SCALE PRINT.

PRINT DIST
DW



OBSOLETE 3	8,320	130	1-1470225-5
	9,000	150	1-1470225-4
	10,080	180	1-1470225-3
	11,520	180	1-1470225-2
	12,000	200	1-1470225-1
	14,000	250	1-1470225-0
	14,000	250	0-1470225-9
	16,800	300	0-1470225-8
	21,600	300	0-1470225-7
	22,400	350	0-1470225-6
	14,400	400	0-1470225-5
3 OBSOLETE	18,000	450	0-1470225-4
	24,000	600	0-1470225-3
3 OBSOLETE	32,000	800	0-1470225-2
	APQ (PCS/CARTON)	PPQ (PCS/BAG)	PART NUMBER

DIMENSION : 0 PLC ±0.5 1 PLC ±0.2 2 PLC ±0.1 3 PLC ±0.05 ANGLES ±3'	DWN	O. HU 30-JUL-2002	tyco TYCO HOLDINGS (BERMUDA) VII LTD. TAIWAN BRANCH
	CHK	J. CHENG 30-JUL-2002	
MATERIAL	APVD	J. WU 30-JUL-2002	2.5mm PITCH EMIX, POST HEADER, RIGHT ANGLE.
SEE NOTE	PRODUCT SPEC		
FINISH	APPLICATION SPEC		LOC SIZE DRAWING NO REV DW A3 C-1470225 B1
SEE NOTE	WEIGHT		SCALE SHEET -- 2 OF 2

	SEE SHEET 1.			
LTR	REVISION RECORD	ECN	DWN/CHK	DATE