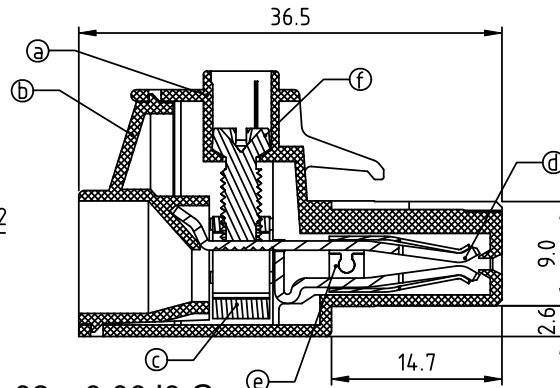
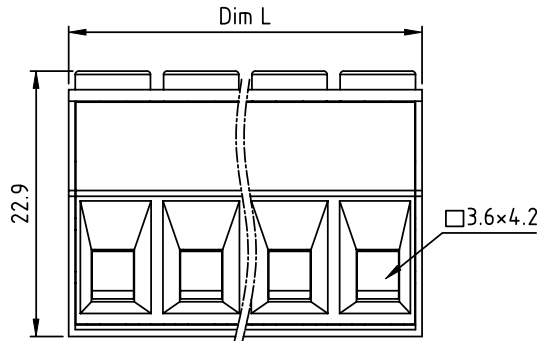
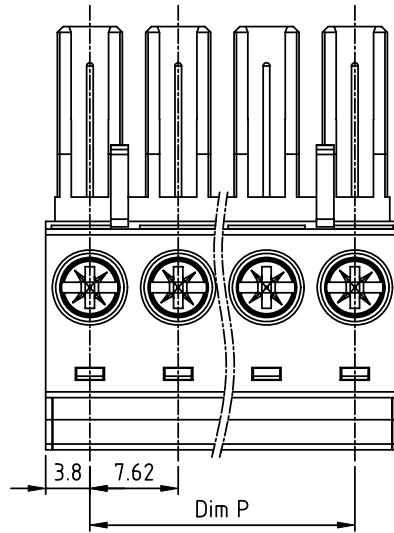


PRODUCT NUMBER	PITCH
ETxx02x000JOG	7.62 mm



- Material:
- Item (a) Terminal(housing): Thermoplastic (UL94V-0)
  - Item (b) Terminal(cover): Thermoplastic (UL94V-0)
  - Item (c) Clamp: Brass Ni plated
  - Item (d) Female contact : Copper. Tin plated
  - Item (e) Wire guard: Stainless steel
  - Item (f) Terminal Screw: Steel , zinc plating " \* " pozi type

- Electrical:
- |                         |                 |                      |
|-------------------------|-----------------|----------------------|
|                         | cULus           | TUV                  |
| ●Voltage rating:        | 300V/600V       | 800V                 |
| ●Current rating:        | 32A/41A         | 32A                  |
| ●Wire range:            |                 | 0.2-6mm <sup>2</sup> |
| ●Solid wire(AWG):       | 8-24            |                      |
| ●Stranded wire(AWG):    | 8-24            |                      |
| ●Torque:                | 7 LB-In         | 0.8N.m               |
| ●Screw:                 | M3.5            |                      |
| ●Wire strip length:     | 10-11 mm        |                      |
| ●Withstanding Voltage:  | 1.6KV           | 6KV                  |
| ●Operating temperature: | -40°C to +115°C |                      |
| ●Safety Approval:       |                 |                      |

PART NO.: ET xx 02 x 0 00J0 G

N = Number of poles  
 Dim L=Nx7.62  
 Dim P=(N-1)x7.62

poles	Tolerance
2-4p	±0.15
5-8p	±0.20
9-12p	±0.30
13-16p	±0.40

Solid block	0	Color	Black (RAL9005)	RoHS compliant	(lead<4%)
No. of poles	2		Red (RAL3001/D)	In copper Alloy	
02	2 poles	3	Orange(RAL2011/P)		
03	3 poles	4	Yellow(RAL1018/A)		
...	...	5	Green(RAL6018/T)		
16	16 poles	6	Blue (RAL5015/A)		
		8	Grey(RAL7035/D)		
		9	White(RAL1102)		
		C	Green(RAL6018/U)		

mat'l. code		surface ASME Y14.5	tolerance ASME Y14.5	projection 	product family TERMINAL BLOCK
ltr	ecn no	dr	date	tolerances unless otherwise specified	title TERMINAL BLOCK PLUGGABLE PLUG,WITHOUT FLANGE
				angles 	scale MM
				X±0.5	dwg no ETxx02x000JOG
				X.X±0.3	sheet 1 of 1
				X.XX±0.1	size A4
		dr	EVIN ZHONG	041814	
		enrg	EVIN ZHONG	041814	
		chr	HANKE FENG	041814	
		appd	SHI JUN	041814	
sheet index	revision sheet	A	1		type CUSTOMER Drawing