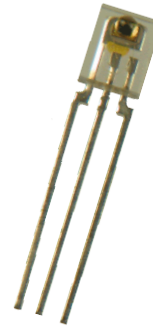


# Photologic® Sensor

OPL530, OPL531, OPL535, OPL536, OPL550,  
OPL551, OPL560, OPL561, OPL562, OPL563



## Features:

- Choice of four output options in low-cost side-looking package
- Choice of two sensitivity options (OPL560/561/562/563)
- High noise immunity
- Direct TTL/LSTTL CMOS interface
- Data rates to 250 kBaud for all except OPL560 series (200 kBaud)
- Low power consumption

## Description:

All components in this series include a photodiode, amplifier, voltage regulator, Schmitt trigger and NPN output transistor on a single silicon chip. **OPL560** chips also include a voltage regulator on the chip. All devices in the series have a Photologic® chip that is encapsulated in a molded plastic side-looking package with an integral lens (recessed integral lens for OPL535 and OPL536). This packaging provides enhanced optical coupling, combined with mechanical protection. The hysteresis characteristics of the Schmitt trigger on each device offers high immunity to noise on input and  $V_{CC}$ .

**OPL530, OPL531, OPL535** and **OPL536** include a 10 K  $\Omega$  pull-up resistor ( $R_L$ ) from output to  $V_{CC}$ . These components exhibit very stable performance over supply voltages ranging from 4.5 V to 16 V and a wide range of irradiance levels. **OPL550** and **OPL551** devices feature TTL/LSTTL compatible logic level output which can drive up to 8 TTL loads without additional circuitry and medium-speed data rates to 250 kBaud, with typical rise and fall times of 25 nanoseconds. **OPL560, OPL561, OPL562** and **OPL563** devices feature TTL/LSTTL compatible logic level output which can drive up to 10 TTL loads over supply voltages ranging from 4.5 V to 16 V.

**OPL530, OPL531, OPL550, OPL551, OPL560, OPL561, OPL562** and **OPL563** are mechanically and spectrally matched to OP140 and OP240 LEDs. **OPL535** and **OPL536** are mechanically and spectrally matched to OP145 and OP245 series LEDs.

## Applications:

- Non-contact reflective object sensor
- Assembly line automation
- Machine automation
- Machine safety
- End of travel sensor
- Door sensor

Base Part Number	Package	Output Type - with Light	Input Power Range (mW/cm <sup>2</sup> ) [Min/Max]		
			-	A	B
<b>OPL530</b>	External Lens	Internal 10K - High	0.08/0.40	0.08/0.25	0.20/0.40
<b>OPL531</b>		Internal 10K - Low			
<b>OPL535</b>	Recessed Lens	Internal 10K - High			
<b>OPL536</b>		Internal 10K - Low			
<b>OPL550</b>	External Lens	Totem Pole - High	0.25/2.4	0.25/1.4	N/A
<b>OPL551</b>		Totem Pole - Low	0.25/2.5	0.25/1.5	
<b>OPL560</b>		Totem Pole - High	0.09/0.55	0.09/0.36	0.18/0.55
<b>OPL561</b>		Totem Pole - Low			
<b>OPL562</b>		Totem Pole - High	0.025/0.23	0.025/0.14	0.07/0.23
<b>OPL563</b>		Totem Pole - Low			
<b>OC = Open Collector Output</b>					



RoHS

General Note  
TT Electronics reserves the right to make changes in product specification without notice or liability. All information is subject to TT Electronics' own data and is considered accurate at time of going to print.

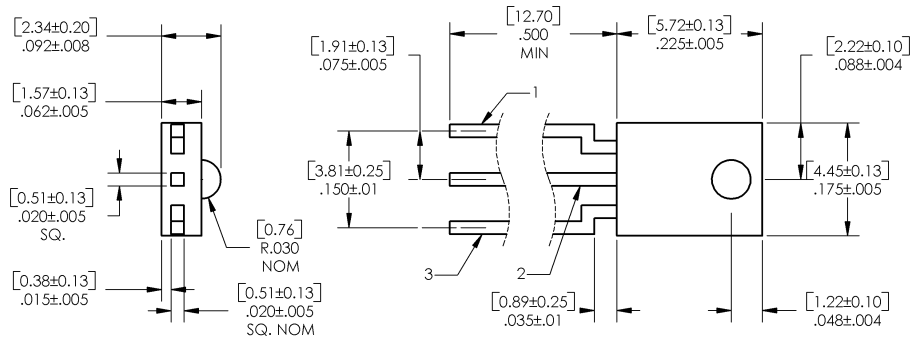
OPTEK Technology, Inc.  
1645 Wallace Drive, Carrollton, TX 75006 | Ph: +1 972 323 2200  
www.optekinc.com | www.ttelectronics.com

# Photologic® Sensor

OPL530, OPL531, OPL535, OPL536, OPL550,  
OPL551, OPL560, OPL561, OPL562, OPL563



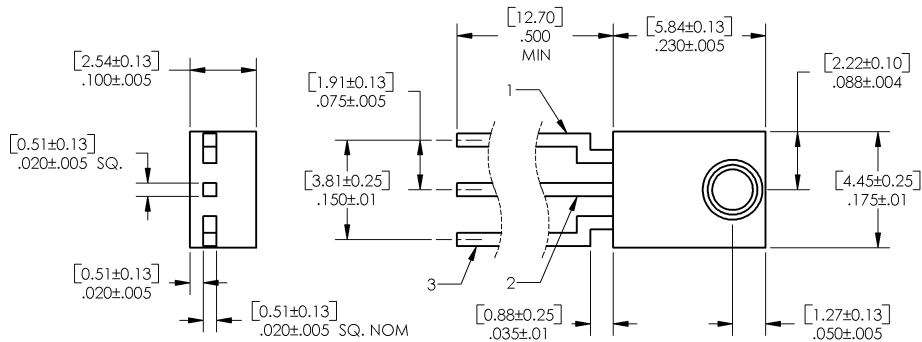
## OPL530, OPL550, OPL560 Series



DIMENSIONS ARE IN: [MILLIMETERS]  
INCHES

Pin #	Sensor
1	Ground
2	Output
3	V <sub>CC</sub>

## OPL535, OPL536 Series



DIMENSIONS ARE IN: [MILLIMETERS]  
INCHES

Pin #	Sensor
1	Ground
2	Output
3	V <sub>CC</sub>

General Note  
TT Electronics reserves the right to make changes in product specification without notice or liability. All information is subject to TT Electronics' own data and is considered accurate at time of going to print.

OPTEK Technology, Inc.  
1645 Wallace Drive, Carrollton, TX 75006 | Ph: +1 972 323 2200  
www.optekinc.com | www.ttelectronics.com

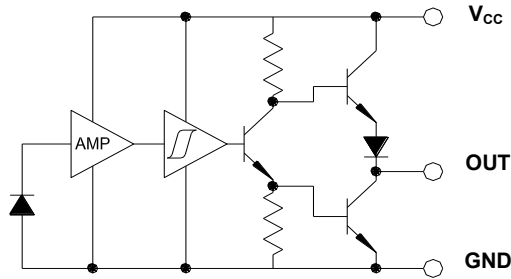
# Photologic® Sensor

OPL530, OPL531, OPL535, OPL536, OPL550,  
OPL551, OPL560, OPL561, OPL562, OPL563

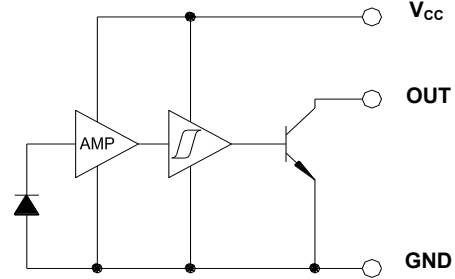


OPL530, OPL531, OPL535, OPL536, OPL550, OPL551, OPL560, OPL561, OPL562, OPL563 (-OC, -OCA, -OCB)  
OPL550, OPL550A, OPL551, OPL551A,  
OPL560, OPL560A, OPL561, OPL561A, OPL562, OPL562A, OPL563, OPL563A

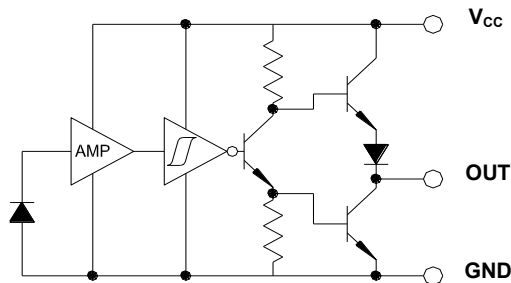
OPL550/550A/560/560A/562/562A Totem-Pole



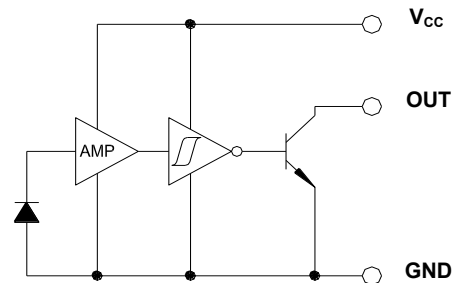
OPL530/535/550/560/562 (-OC, -OCA, -OCB) Open-Collector



OPL 551/551A/561/561A/563/563A/ Inverted Totem-Pole



OPL 531/536/551/561/563 (-OC, -OCA, -OCB) Inverted Open-Collector



General Note  
TT Electronics reserves the right to make changes in product specification without notice or liability. All information is subject to TT Electronics' own data and is considered accurate at time of going to print.

OPTEK Technology, Inc.  
1645 Wallace Drive, Carrollton, TX 75006 | Ph: +1 972 323 2200  
www.optekinc.com | www.ttelectronics.com

# Photologic® Sensor

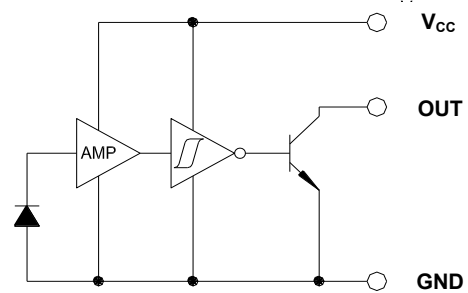
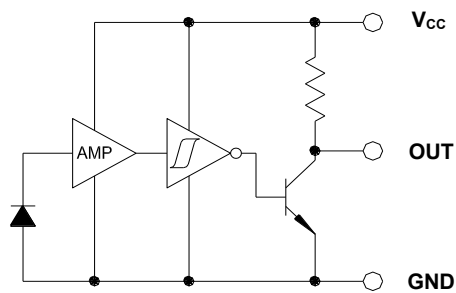
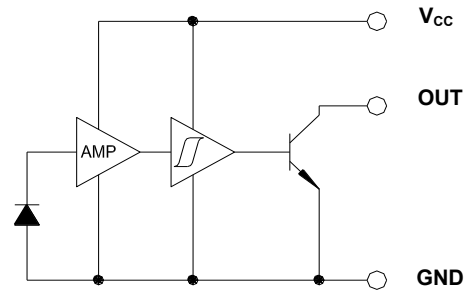
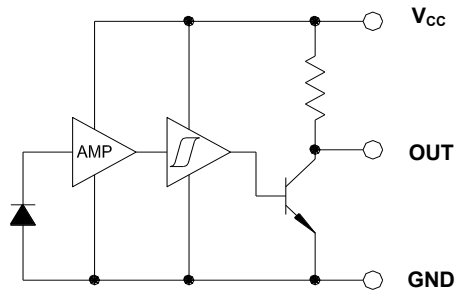
OPL530, OPL531, OPL535, OPL536, OPL550,  
OPL551, OPL560, OPL561, OPL562, OPL563



## OPL530, OPL530A, OPL530B, OPL531, OPL531A, OPL531B OPL535, OPL535A, OPL535B, OPL536, OPL536A, OPL536B

OPL530/530A/530B, OPL535/535A/535B 10K Pull-Up

OPL531/531A/531B, OPL536/536A/536B Inverted 10K Pull-Up



General Note  
TT Electronics reserves the right to make changes in product specification without notice or liability. All information is subject to TT Electronics' own data and is considered accurate at time of going to print.

OPTEK Technology, Inc.  
1645 Wallace Drive, Carrollton, TX 75006 | Ph: +1 972 323 2200  
www.optekinc.com | www.ttelectronics.com

# Photologic® Sensor

OPL530, OPL531, OPL535, OPL536, OPL550,  
OPL551, OPL560, OPL561, OPL562, OPL563



## Absolute Maximum Ratings (T<sub>A</sub> = 25° C unless otherwise noted)

### Input Diode

Supply Voltage (V <sub>CC</sub> ) OPL530, OPL530-OC, OPL531, OPL531-OC, OPL535, OPL535-OC, OPL536, OPL536-OC, OPL550, OPL551 OPL560, OPL561, OPL562, OPL563	18 V 10 V 18 V
Operating Temperature Range	-40° C to + 85° C
Storage Temperature Range	-40° C to + 100° C
Lead Soldering Temperature [1/16 inch (1.6mm) from the case for 5 sec. with soldering iron]	260°C
Sourcing Current OPL560, OPL561, OPL562, OPL563	10 mA
Power Dissipation OPL530, OPL530-OC, OPL531, OPL531-OC, OPL535, OPL535-OC, OPL536, OPL536-OC OPL550, OPL551, OPL560, OPL561, OPL562, OPL563	90 mW 200 mW <sup>(2)</sup>
Sinking Current OPL530, OPL530-OC, OPL531, OPL531-OC, OPL535, OPL535-OC, OPL536, OPL536-OC OPL550, OPL551 OPL560, OPL561, OPL562, OPL563	50 mA - 50 mA
Voltage at Output Lead <sup>(4)</sup> OPL530, OPL530-OC, OPL531, OPL531-OC, OPL535, OPL535-OC, OPL536, OPL536-OC OPL550-OC, OPL551-OC OPL560-OC, OPL561-OC, OPL562-OC, OPL563-OC	35 V 35 V 35 V
Duration of Output Short to V <sub>CC</sub> or Ground OP550, OP551	1 second
Duration of Output Short to V <sub>CC</sub> OPL550-OC, OPL551-OC OPL560, OPL561, OPL562, OPL563, OPL560-OC, OPL561-OC, OPL562-OC, OPL563-OC	1 second 1 second
Low Level Output Current OPL550, OPL551 Series	16 mA
High Level Output Current OPL550, OPL551 Series	1 mA
Irradiance OPL550, OPL551 Series OPL560, OPL560-OC, OPL561, OPL561-OC OPL562, OPL562-OC, OPL563, OPL563-OC	10 mW/cm <sup>2</sup> 9 mW/cm <sup>2</sup> 3 mW/cm <sup>2</sup>

#### Notes:

- (1) RMA flux is recommended. Duration can be extended to 10 sec. max. when flow soldering. For OPL530, OPL530-OC, OPL531, OPL531-OC, OPL535, OPL535-OC, OPL536 and OPL536-OC, a maximum of 20 grams force may be applied to leads while at soldering temperatures.
- (2) Derate linearly 2.67 mW/°C above 70° C for OPL530, OPL530-OC, OPL531, OPL531-OC, OPL535, OPL535-OC, OPL536 and OPL536-OC. Derate linearly 2.5 mW/°C above 25° C for all devices in the OPL550, OPL551, OPL560, OPL561, OPL562 and OPL563 series.
- (3) Irradiance measurements are made with λ<sub>i</sub> = 935 nm.
- (4) This applies to OC versions only. For I<sub>CC</sub> on pull-up versions, add V<sub>CC</sub>/10 KΩ.

#### General Note

TT Electronics reserves the right to make changes in product specification without notice or liability. All information is subject to TT Electronics' own data and is considered accurate at time of going to print.

OPTEK Technology, Inc.  
1645 Wallace Drive, Carrollton, TX 75006 | Ph: +1 972 323 2200  
www.optekinc.com | www.ttelectronics.com

## Electrical Characteristics (T<sub>A</sub> = 25° C unless otherwise noted)

SYMBOL	PARAMETER	MIN	TYP	MAX	UNITS	TEST CONDITIONS
V <sub>CC</sub>	Operating Supply Voltage OPL530, OPL530-OC, OPL531, OPL531-OC OPL535, OPL535-OC, OPL536, OPL536-OC, OPL560, OPL561 Series	4.5	-	16	V	-
	OPL550, OPL551 Series	4.5	-	5.5	V	-
	Peak-to-Peak V <sub>CC</sub> Ripple Necessary to Cause False Triggering of Output OPL530, OPL530-OC, OPL531, OPL531-OC OPL535, OPL535-OC, OPL536, OPL536-OC OPL560, OPL561 Series	-	-	2	V	f = DC to 50 MHz
	OPL550, OPL551 Series	-	2	-	V	V <sub>CC</sub> = 5 V DC, f = DC to 50 MHz
I <sub>CC</sub>	Supply Current <sup>(4)</sup> OPL530, OPL530-OC, OPL531, OPL531-OC OPL535, OPL535-OC, OPL536, OPL536-OC	-	2.7	5	mA	E <sub>E</sub> = 0 or 1 mW/cm <sup>2</sup>
	OPL550, OPL551 Series	-	8	15	mA	E <sub>E</sub> = 0 or 3 mW/cm <sup>2</sup> , V <sub>CC</sub> = 5.5 V
	OPL560, OPL561 Series	-	8	12	mA	E <sub>E</sub> = 0 or 1 mW/cm <sup>2</sup>
E <sub>eT(+)</sub>	Positive-Going Threshold Irradiance <sup>(3)</sup> OPL530, OPL530-OC, OPL531, OPL531-OC OPL535, OPL535-OC, OPL536, OPL536-OC	0.08	-	0.40	mW/cm <sup>2</sup>	T <sub>A</sub> = 25° C
	OPL530A, OPL530-OCA, OPL531A, OPL531-OCA OPL535A, OPL535-OCA, OPL536A, OPL536-OCA	0.08	-	0.25	mW/cm <sup>2</sup>	T <sub>A</sub> = 25° C
	OPL530B, OPL530-OCB, OPL531B, OPL531-OCB OPL535B, OPL535-OCB, OPL536B, OPL536-OCB	0.12	-	0.40	mW/cm <sup>2</sup>	T <sub>A</sub> = 25° C
	OPL550, OPL550-OC, OPL551, OPL551-OC OPL550A, OPL550-OCA, OPL551, OPL551-OCA	.25 .25	- -	2.4 1.4	mW/cm <sup>2</sup> mW/cm <sup>2</sup>	V <sub>CC</sub> = 5 V, T <sub>A</sub> = 25° C V <sub>CC</sub> = 5 V, T <sub>A</sub> = 25° C

# Photologic® Sensor

OPL530, OPL531, OPL535, OPL536, OPL550,  
OPL551, OPL560, OPL561, OPL562, OPL563



## Electrical Characteristics ( $T_A = 25^\circ\text{C}$ unless otherwise noted)

SYMBOL	PARAMETER	MIN	TYP	MAX	UNITS	TEST CONDITIONS
$E_{ET(+)} / E_{ET(-)}$	Hysteresis Ratio OP530, OP531 Series	1.05	1.3	1.6	-	-
	OP535, OP536 Series	1.05	1.2	1.5	-	-
	OPL550, OPL551 Series	1.50	2	2.5	-	-
	OPL560, OPL561 Series	1.20	1.55	2	-	-
$\Delta E_{Et(+)}(\Delta T)$	Temperature Co-efficient OPL530, OPL530-OC, OPL531, OPL531-OC	-	-0.6	-	%/°C	>0°C
	OPL535, OPL535-OC, OPL536, OPL536-OC	-	-1.6	-	%/°C	<0°C

### Notes:

- (1) RMA flux is recommended. Duration can be extended to 10 sec. max. when flow soldering. For OPL530, OPL530-OC, OPL531, OPL531-OC, OPL535, OPL535-OC, OPL536 and OPL536-OC, a maximum of 20 grams force may be applied to leads while at soldering temperatures.
- (2) Derate linearly 2.67 mW/°C above 70° C for OPL530, OPL530-OC, OPL531, OPL531-OC, OPL535, OPL535-OC, OPL536 and OPL536-OC. Derate linearly 2.5 mW/°C above 25° C for all devices in the OPL550, OPL551, OPL560, OPL561, OPL562 and OPL563 series.
- (3) Irradiance measurements are made with  $\lambda_i = 935\text{ nm}$ .
- (4) This applies to OC versions only. For  $I_{CC}$  on pull-up versions, add  $V_{CC}/10\text{ K}\Omega$ .

## Electrical Characteristics (T<sub>A</sub> = 25° C unless otherwise noted)

SYMBOL	PARAMETER	MIN	TYP	MAX	UNITS	TEST CONDITIONS
V <sub>OH</sub>	Operating Supply Voltage OPL550	2.4	3.3	-	V	V <sub>CC</sub> = 4.5 V, I <sub>OH</sub> = -800 µA, E <sub>E</sub> = 3 mW/cm <sup>2</sup>
	OPL551	2.4	3.3	-	V	V <sub>CC</sub> = 4.5 V, I <sub>OH</sub> = -800 µA, E <sub>E</sub> = 0
	OPL560	V <sub>CC</sub> -2.1	-	-	V	I <sub>OH</sub> = -1 µA, E <sub>E</sub> = 1 mW/cm <sup>2</sup>
	OPL561	V <sub>CC</sub> -2.1	-	-	V	I <sub>OH</sub> = -1 µA, E <sub>E</sub> = 0
V <sub>OL</sub>	Low Level Output Voltage OPL530, OPL530-OC, OPL535, OPL535-OC	-	0.2	0.4	V	I <sub>OL</sub> = 16 mA, E <sub>E</sub> = 0
	OPL531, OPL531-OC, OPL536, OPL536-OC	-	0.2	0.4	V	I <sub>OL</sub> = 16 mA, E <sub>E</sub> = 1 mW/cm <sup>2</sup>
	OPL550	-	0.25	0.4	V	V <sub>CC</sub> = 4.5 V, I <sub>OL</sub> = 12.8 mA, E <sub>E</sub> = 0
	OPL551	-	0.25	0.4	V	V <sub>CC</sub> = 4.5 V, I <sub>OL</sub> = 12.8 mA, E <sub>E</sub> = 3 mW/cm <sup>2</sup>
	OPL560, OPL560-OC	-	-	.4	V	I <sub>OL</sub> = 16 mA, E <sub>E</sub> = 0
OPL561, OPL561-OC	-	-	.4	V	I <sub>OL</sub> = 16 mA, E <sub>E</sub> = 1 mW/cm <sup>2</sup>	
I <sub>OS</sub>	Short Circuit Output Current OPL550	-20	-55	-100	mA	V <sub>CC</sub> = 5.5 V, Output = GND, E <sub>E</sub> = 3 mW/cm <sup>2</sup>
	OPL551	-20	-55	-100	mA	V <sub>CC</sub> = 5.5 V, Output = GND, E <sub>E</sub> = 0
I <sub>OH</sub>	High Level Output Current <sup>(4)</sup> OPL531, OPL531-OC, OPL536, OPL536-OC	-	0.1	10	µA	V <sub>OH</sub> = 30 V, E <sub>E</sub> = 0
	OPL535, OPL535-OC, OPL530, OPL530-OC	-	0.1	10	µA	V <sub>OH</sub> = 30 V, E <sub>E</sub> = 1 mW/cm <sup>2</sup>
	OPL550-OC	-	1	100	µA	V <sub>CC</sub> = 4.5 V, V <sub>OH</sub> = 30 V, E <sub>E</sub> = 3 mW/cm <sup>2</sup>
	OPL551-OC	-	1	100	µA	V <sub>CC</sub> = 4.5 V, V <sub>OH</sub> = 30 V, E <sub>E</sub> = 0
	OPL560-OC	-	-	100	µA	V <sub>OH</sub> = 30 V, E <sub>E</sub> = 1 mW/cm <sup>2</sup>
	OPL561-OC	-	-	100	µA	V <sub>OH</sub> = 30 V, E <sub>E</sub> = 0

### Notes:

- (1) RMA flux is recommended. Duration can be extended to 10 sec. max. when flow soldering. For OPL530, OPL530-OC, OPL531, OPL531-OC, OPL535, OPL535-OC, OPL536 and OPL536-OC, a maximum of 20 grams force may be applied to leads while at soldering temperatures.
- (2) Derate linearly 2.67 mW/°C above 70° C for OPL530, OPL530-OC, OPL531, OPL531-OC, OPL535, OPL535-OC, OPL536 and OPL536-OC. Derate linearly 2.5 mW/°C above 25° C for all devices in the OPL550, OPL551, OPL560, OPL561, OPL562 and OPL563 series.
- (3) Irradiance measurements are made with λ<sub>i</sub> = 935 nm.
- (4) This applies to OC versions only. For I<sub>CC</sub> on pull-up versions, add V<sub>CC</sub>/10 KΩ.



## Electrical Characteristics (T<sub>A</sub> = 25° C unless otherwise noted)

SYMBOL	PARAMETER	MIN	TYP	MAX	UNITS	TEST CONDITIONS
t <sub>r</sub>	Output Rise Time OPL530, OPL531, OPL535, OPL536	-	1.5	-	μs	E <sub>E</sub> = 0 or 1 mW/cm <sup>2</sup> , C <sub>L</sub> = 50 pF
	OPL530-OC, OPL531-OC, OPL535-OC, OPL536-OC	-	50	-	ns	E <sub>E</sub> = 0 or 1 mW/cm <sup>2</sup> , R <sub>L</sub> = 300 Ω to 5 V, C <sub>L</sub> = 50 pF
	OPL550, OPL551	-	25	70	ns	V <sub>CC</sub> = 5 V, T <sub>A</sub> = 25° C, E <sub>E</sub> = 0 or 3 mW/cm <sup>2</sup> , f = 10 kHz, DC = 50% R <sub>L</sub> = 8 TTL loads
	OPL550-OC, OPL551-OC	-	25	70	ns	V <sub>CC</sub> = 5 V, T <sub>A</sub> = 25° C, E <sub>E</sub> = 0 or 3 mW/cm <sup>2</sup> , f = 10 kHz, DC = 50%, R <sub>L</sub> = 360 Ω
	OPL560, OPL561	-	-	70	ns	T <sub>A</sub> = 25° C, E <sub>E</sub> = 0 or 1 mW/cm <sup>2</sup> , f = 10 kHz, DC = 50%, R <sub>L</sub> = 360 Ω
	OPL560-OC, OPL561-OC	-	-	100	μs	R <sub>L</sub> = 360 Ω
t <sub>r</sub>	Output Rise Time OPL530, OPL531, OPL535, OPL536	-	-	-	μs	E <sub>E</sub> = 0 or 1 mW/cm <sup>2</sup> , C <sub>L</sub> = 50 pF
	OPL530-OC, OPL531-OC, OPL535-OC, OPL536-OC	-	-	-	ns	E <sub>E</sub> = 0 or 1 mW/cm <sup>2</sup> , R <sub>L</sub> = 300 Ω to 5 V, C <sub>L</sub> = 50 pF
	OPL550-OC, OPL551-OC	-	25	70	ns	V <sub>CC</sub> = 5 V, T <sub>A</sub> = 25° C, E <sub>E</sub> = 0 or 3 mW/cm <sup>2</sup> , R <sub>L</sub> = 8 TTL loads, f = 10 kHz, DC = 50%
	OPL560-OC, OPL561-OC	-	-	70	ns	V <sub>CC</sub> = 5 V, T <sub>A</sub> = 25° C, E <sub>E</sub> = 0 or 3 mW/cm <sup>2</sup> , R <sub>L</sub> = 8 TTL loads, f = 10 kHz, DC = 50%
	OPL560, OPL561	-	-	70	ns	T <sub>A</sub> = 25° C, E <sub>E</sub> = 0 or 1 mW/cm <sup>2</sup> , f = 10 kHz
	OPL560-OC, OPL561-OC	-	-	100	ns	T <sub>A</sub> = 25° C, E <sub>E</sub> = 0 or 1 mW/cm <sup>2</sup> , f = 10 kHz
t <sub>f</sub>	Output Fall Time OPL530, OPL531, OPL535, OPL536	-	20	-	ns	E <sub>E</sub> = 0 or 1 mW/cm <sup>2</sup> , C <sub>L</sub> = 50 pF
	OPL530-OC, OPL531-OC, OPL535-OC, OPL536-OC	-	20	-	ns	E <sub>E</sub> = 0 or 1 mW/cm <sup>2</sup> , R <sub>L</sub> = 300 Ω to 5 V, C <sub>L</sub> = 50 pF
	OPL550-OC, OPL551-OC	-	25	70	ns	V <sub>CC</sub> = 5 V, T <sub>A</sub> = 25° C, E <sub>E</sub> = 0 or 3 mW/cm <sup>2</sup> , R <sub>L</sub> = 360 Ω, f = 10 kHz, DC = 50% T <sub>A</sub> = 25° C, E <sub>E</sub> = 0 or 1 mW/cm <sup>2</sup> ,
	OPL560, OPL561	-	-	70	ns	f = 10 kHz
	OPL560-OC, OPL561-OC	-	-	100	ns	T <sub>A</sub> = 25° C, E <sub>E</sub> = 0 or 1 mW/cm <sup>2</sup> , f = 10 kHz

### Notes:

- (1) RMA flux is recommended. Duration can be extended to 10 sec. max. when flow soldering. For OPL530, OPL530-OC, OPL531, OPL531-OC, OPL535, OPL535-OC, OPL536 and OPL536-OC, a maximum of 20 grams force may be applied to leads while at soldering temperatures.
- (2) Derate linearly 2.67 mW/°C above 70° C for OPL530, OPL530-OC, OPL531, OPL531-OC, OPL535, OPL535-OC, OPL536 and OPL536-OC. Derate linearly 2.5 mW/°C above 25° C for all devices in the OPL550, OPL551, OPL560, OPL561, OPL562 and OPL563 series.
- (3) Irradiance measurements are made with λ<sub>i</sub> = 935 nm.
- (4) This applies to OC versions only. For I<sub>CC</sub> on pull-up versions, add V<sub>CC</sub>/10 KΩ.

### General Note

TT Electronics reserves the right to make changes in product specification without notice or liability. All information is subject to TT Electronics' own data and is considered accurate at time of going to print.

OPTEK Technology, Inc.  
1645 Wallace Drive, Carrollton, TX 75006 | Ph: +1 972 323 2200  
www.optekinc.com | www.ttelectronics.com

## Electrical Characteristics ( $T_A = 25^\circ\text{C}$ unless otherwise noted)

SYMBOL	PARAMETER	MIN	TYP	MAX	UNITS	TEST CONDITIONS
$t_{pE_{\tau}(+)}$	Propagation Delay OPL530, OPL531, OPL535, OPL536	-	1.0	-	$\mu\text{s}$	$E_E = 0$ or $1\text{ mW/cm}^2$ , $R_L = 300\ \Omega$ to $5\ \text{V}$ , $C_L = 50\ \text{pF}$
	OPL530-OC, OPL531-OC, OPL535-OC, OPL536-OC	-	1.0	-	$\mu\text{s}$	$E_E = 0$ or $1\text{ mW/cm}^2$ , $R_L = 300\ \Omega$ to $5\ \text{V}$ , $C_L = 50\ \text{pF}$
	OPL550-OC, OPL551-OC	-	2.5	5	$\mu\text{s}$	$V_{CC} = 5\ \text{V}$ , $T_A = 25^\circ\text{C}$ , $E_E = 0$ or $3\text{ mW/cm}^2$ , $R_L = 8\ \text{TTL loads}$ , $f = 10\ \text{kHz}$ , $\text{DC} = 50\%$
$t_{pE_{\tau}(-)}$	Propagation Delay OPL530, OPL531, OPL535, OPL536, OPL530-OC, OPL531-OC, OPL535-OC, OPL536-OC	-	3.0	-	$\mu\text{s}$	$E_E = 0$ or $1\text{ mW/cm}^2$ , $R_L = 300\ \Omega$ to $5\ \text{V}$ , $C_L = 50\ \text{pF}$
	OPL550-OC, OPL551-OC	-	2.5	5	$\mu\text{s}$	$V_{CC} = 5\ \text{V}$ , $T_A = 25^\circ\text{C}$ , $E_E = 0$ or $3\text{ mW/cm}^2$ , $R_L = 360\ \Omega$ , $f = 10\ \text{kHz}$ , $\text{DC} = 50\%$
$t_{PLH}$ , $T_{PHL}$	Propagation Delay (Low-High/High-Low) OPL560, OPL561	-	5	-	$\mu\text{s}$	$\text{DC} = 50\%$ , $R_L = 10\ \text{TTL Loads}$
	OP560-OC, OPL561-OC	-	5	-	$\mu\text{s}$	$\text{DC} = 50\%$ , $R_L = 300\ \Omega$

### Notes:

- (1) RMA flux is recommended. Duration can be extended to 10 sec. max. when flow soldering. For OPL530, OPL530-OC, OPL531, OPL531-OC, OPL535, OPL535-OC, OPL536 and OPL536-OC, a maximum of 20 grams force may be applied to leads while at soldering temperatures.
- (2) Derate linearly  $2.67\text{ mW}/^\circ\text{C}$  above  $70^\circ\text{C}$  for OPL530, OPL530-OC, OPL531, OPL531-OC, OPL535, OPL535-OC, OPL536 and OPL536-OC. Derate linearly  $2.5\text{ mW}/^\circ\text{C}$  above  $25^\circ\text{C}$  for all devices in the OPL550, OPL551, OPL560, OPL561, OPL562 and OPL563 series.
- (3) Irradiance measurements are made with  $\lambda_i = 935\ \text{nm}$ .
- (4) This applies to OC versions only. For  $I_{CC}$  on pull-up versions, add  $V_{CC}/10\ \text{k}\Omega$ .

### General Note

TT Electronics reserves the right to make changes in product specification without notice or liability. All information is subject to TT Electronics' own data and is considered accurate at time of going to print.

OPTEK Technology, Inc.  
1645 Wallace Drive, Carrollton, TX 75006 | Ph: +1 972 323 2200  
www.optekinc.com | www.ttelectronics.com