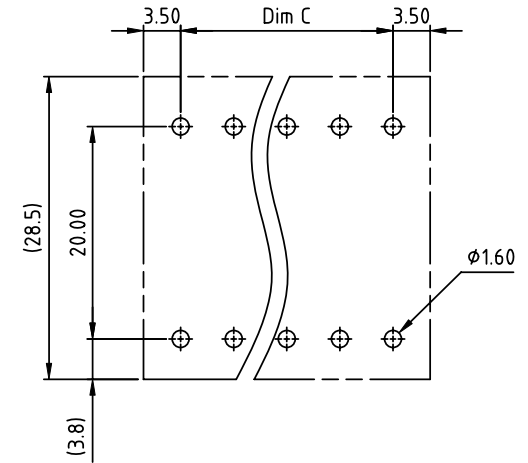
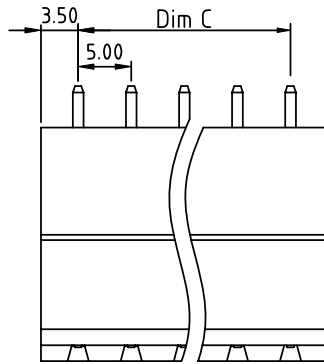
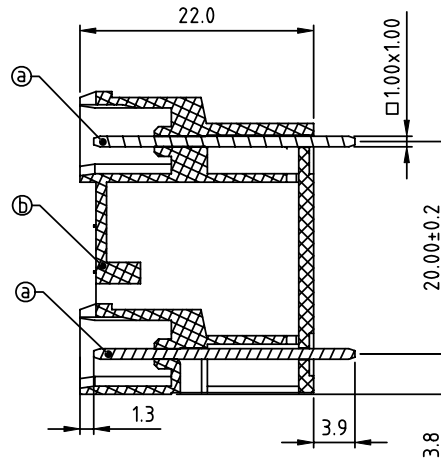
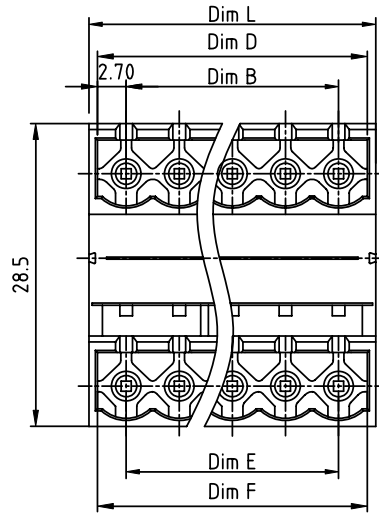


PRODUCT NUMBER	PITCH
VLxx71x000J0G	5.00 mm



RECOMMENDED P.C.B LAYOUT
TOP VIEW



- Material:
- Item ① Pin: Brass(CuZn) Tin plated
 - Item ② Terminal(housing): Thermoplastic (UL94 V-0)
- Electrical: cULus
- Voltage rating: 300V
 - Current rating: 20A
 - Withstanding Voltage: 1.6 KV
 - Operating temperature: -40°C to +115°C
 - Soldering temperature: 260°C±5°C/5 Sec
 - Safety Approval:

N=Number of poles
 $Dim L = (N/2 - 1) \times 5.0 + 7.0$ $Dim D = N/2 \times 5.0 + 0.4$
 $Dim B = (N/2 - 1) \times 5.0$ $Dim E = (N/2 - 1) \times 5.0$
 $Dim C = (N/2 - 1) \times 5.0$ $Dim F = N/2 \times 5.0 + 0.4$

PART NO.: VL xx 7 1 x 0 00J0 G

		Color	RoHS compliant
Solid block	0	Black (RAL9005)	(lead<4%) In copper Alloy
No. of poles	2	Red (RAL3001/D)	
04 2x2poles	3	Orange(RAL2011/P)	
06 2x3poles	4	Yellow(RAL1018/A)	
...	5	Green(RAL6018/T)	
48 2x24poles	6	Blue (RAL5015/A)	
	8	Grey(RAL7035/D)	
	9	White(RAL1102)	
	C	Green(RAL6018/U)	

Poles	Tolerance
2x2-2x6p	±0.15
2x7-2x12p	±0.25
2x13-2x18p	±0.35
2x19-2x24p	±0.40

mat'l. code		surface ASME Y14.5	tolerance ASME Y14.5	projection	product family TERMINAL BLOCK
ltr	ecn no	dr	date		title TERMINAL BLOCK
				MM	PLUGGABLE SOCKET, VERTICAL
				scale	PLUGGABLE SOCKET, VERTICAL
				dr	EVIN ZHONG 042814
				enr	EVIN ZHONG 042814
				chr	HANKE FENG 042814
				appd	SHI JUN 042814
sheet index	revision	A			dwg no VLxx71x000J0G
sheet	1				sheet 1 of 1
				size	A4
				type	CUSTOMER Drawing