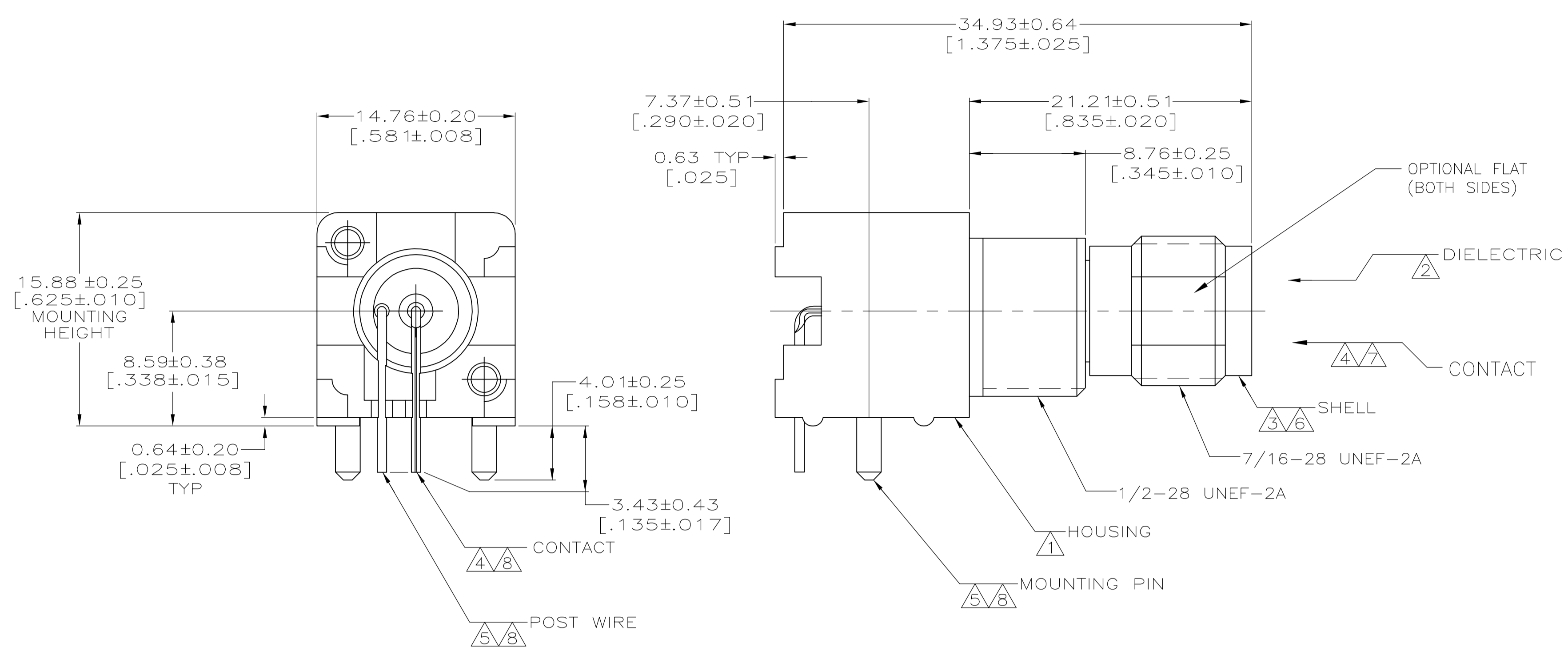
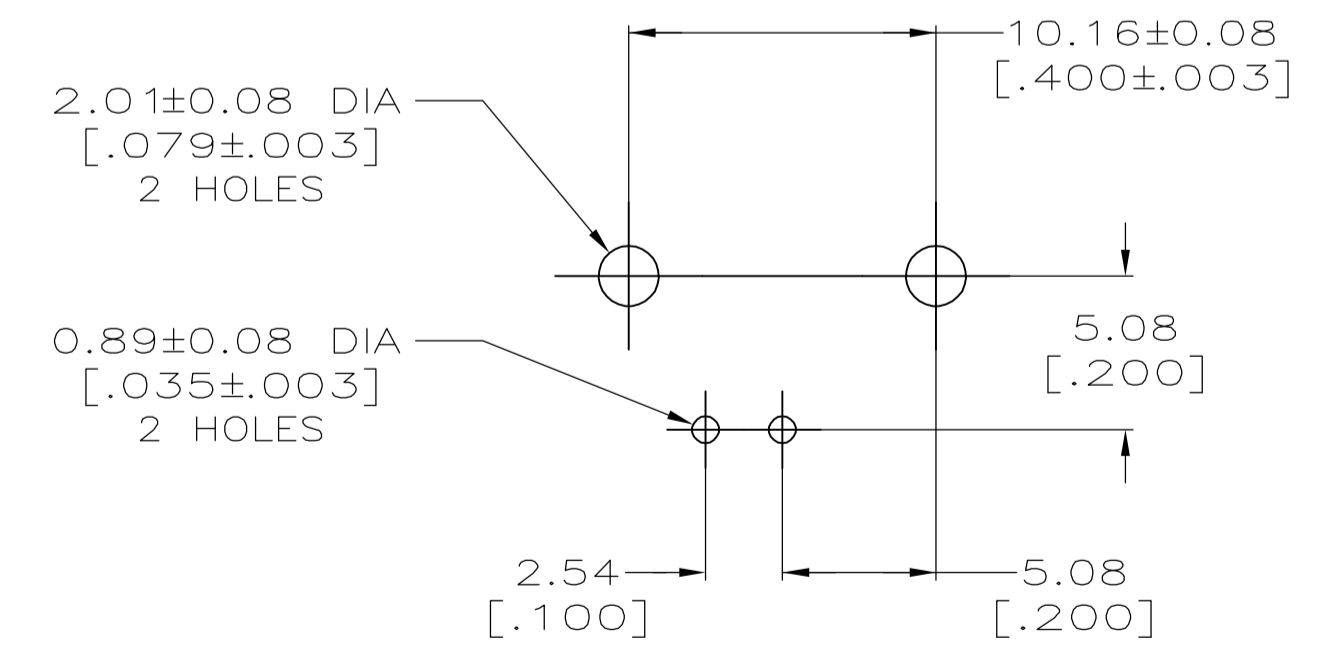
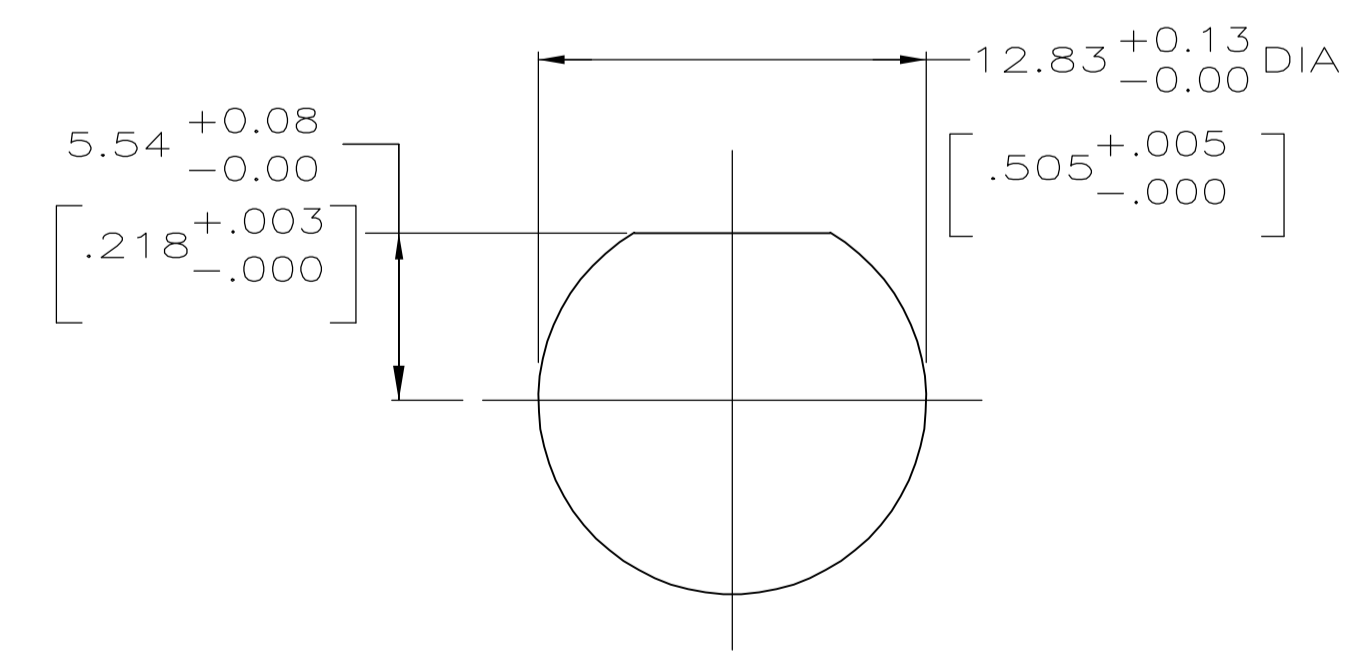


| LOC | | DIST | | REVISIONS | | | |
|-----|-----|---------------------------|-----------|-----------|------|--|--|
| P | LTR | DESCRIPTION | DATE | DWN | APVD | | |
| A1 | | REVISED PER ECO-06-011451 | 26MAY2006 | KS | JL | | |



- 1 POLYESTER PBT PER MIL-M-24519, TYPE GPT-15F, UL94V-0 RATED, COLOR:NATURAL
- 2 POLYMETHYLPENTENE, GENERAL PURPOSE
- 3 ZINC PER ASTM-B-86
- 4 PHOSPHOR BRONZE PER QQ-B-750
- 5 BRASS PER QQ-B-626
- 6 NICKEL PLATE PER QQ-N-290, 3.81 μm [.000150] MINIMUM THICK
- 7 GOLD PLATE PER MIL-G-45204, 0.76 μm [.000030] MINIMUM THICK
- 8 TIN PLATE PER ASTM B 545, 3.81 μm [.000150] MINIMUM THICK.



RECOMMENDED PANEL CUTOUT

PCB CONFIGURATION

5227818-1
PART NUMBER

| | | | | | |
|--|--|---------------------------------------|--------------|---|--------------------|
| THIS DRAWING IS A CONTROLLED DOCUMENT. | | DWN L. VARELA - DOCKS 21APR2005 | | Tyco Electronics Corporation Harrisburg, Pa 17105-3608 | |
| DIMENSIONS: mm (INCHES) | | CHK J. HAVENER 21APR2005 | | NAME JACK, RIGHT ANGLE, PCB, TNC | |
| TOLERANCES UNLESS OTHERWISE SPECIFIED: | | APVD J. LIPPERT 21APR2005 | PRODUCT SPEC | | RESTRICTED TO |
| 0 PLC ± - | | APPLICATION SPEC | | SIZE A1 | CAGE CODE 00779 |
| 1 PLC ± - | | WEIGHT | | DRAWING NO 5227818 | |
| 2 PLC ± 0.05 [.002] | | CUSTOMER DRAWING | | SCALE 4:1 | SHEET 1 OF 1 |
| 3 PLC ± - | | | | REV A1 | |
| 4 PLC ± - | | | | | |
| ANGLES ± - | | | | | |
| MATERIAL | | | | | |
| FINISH | | | | | |