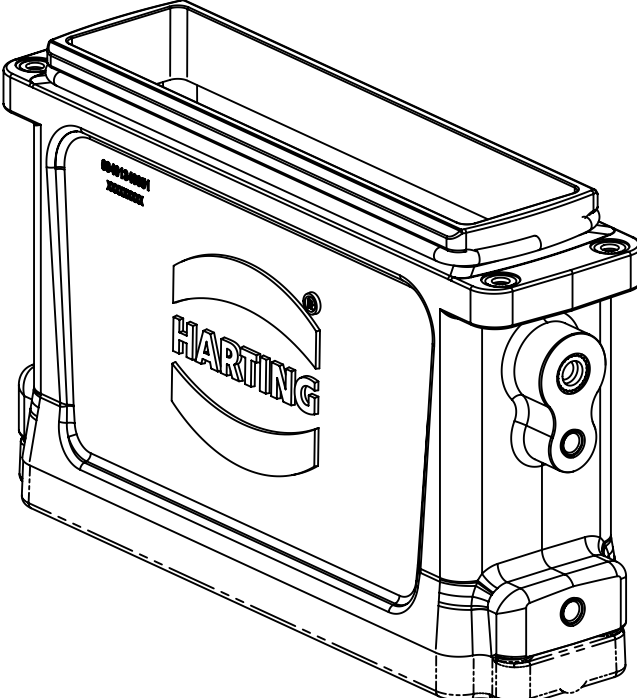



cover not included in delivery



	All rights reserved		Created by		Inspected by		Standardisation		Date		State	
	Department EL PD - DE		WULF		SCHLEGEL		TIEMANNA		2016-09-12		Final Release	
Title Han 34HPR EasyCon-HSM										Doc-Key / ECM-Nr. 100680152/UGD/001/C 500000108684		
HARTING Electric GmbH & Co. KG D-32339 Espelkamp		Type TB		Number 09 40 134 0951				Rev. C		Page 1/1		