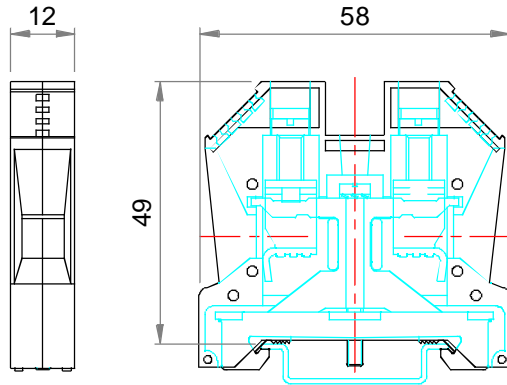


Part number description :

10134283-XXXLF

- ▶ LF: Lead Free, RoHs compliant, see note
- ▶ XXX : Color ref or/and version



Note : THIS PRODUCT MEETS EUROPEAN UNION DIRECTIVES AND OTHER COUNTRY REGULATIONS AS PER GS-47-0004

PN	Colour	Version
10134283-001LF	yellow-green	

TECHNICAL DATA / DIMENSIONS

Dimensions	
Width mm	12.0
Length mm	58.0
Height mm	49.0
Mounting type (EN 60715)	Omega TH35
Technical data	
Insulating material	PA
Self-extinguishing degree acc. to UL94	V2
Rated surge voltage	6kV
Pollution degree	3
Surge voltage category	III
Insulating material group	I
Connection data	
Conductor cross-section solid min/max	5 / 25 mm ²
Conductor cross-section stranded min/max	1.5 / 16 mm ²
AWG min/max	14-4 AW
Max conductor cross-section stranded with ferrule with plastic sleeve	16 mm ² / L=12 mm
Stripping length	max 14 mm
Screw	M5
Tightening torque	2Nm / 30 Lb-In
Fixing Screw	M3,5
Tightening torque	0,8Nm / 10 Lb-In

ACCESSORIES

Item	Description
<i>Marking</i>	
10134398-001LF	Blank single-digit marking tags
10134398-002LF+ 10134398-011LF	Printed single-digit marking tags numbered : 1 ÷ 0
10134398-012LF+ 10134398-041LF	Printed single-digit marking tags with letter: A- Z
10134399-001LF	Marking tag adapter
10134401-001LF	Blank Marking tags

DIN RAIL system - Mounting and Installation material

10134392-001LF	Steel Omega Rail TH35x7,5mm -2mt length
10134393-001LF	Slotted Steel Omega Rail TH35x7,5mm -2mt length
10134394-001LF	Steel Omega Rail TH35x15mm -2mt length
10134395-001LF	Slotted Steel Omega Rail TH35x15mm -2mt length
10134387-001LF	Angled support bracket
10134389-001LF	End Bracket for TH35 Omega rail -Width 9mm
10134390-001LF	End Bracket for TH35 Omega rail -Width 6mm
10134391-001LF	Fast-snap End Bracket for TH35 Omega rail

APPROVALS



AWG 14-4

RINA

EN60947-7-2 25mm²



Copyright FCI.

spec ref	dr Aymeric Soudy 11-06-2015	projection	size A3	scale 1:1
tolerance std ISO 406 ISO 1101	TOLERANCES UNLESS OTHERWISE SPECIFIED	eng Aymeric Soudy 11-06-2015	MM	ecn no
surface ✓ ISO 1302		chr		
linear 0.X ± 0.3 0.XX ± 0.1 0.XXX ± 0.05		appr Aymeric Soudy 11-06-2015	product family DIN Terminal Block	
angular 0° ± 2°	www.fcicon	cat. no.	title Earth SCREW Terminal block E25	no 10134283
				rev A
				Product customer drawing
				sheet 1 of 1