

Customer Information Sheet

DRAWING No.: M50-315XX42

SHEET 2 OF 2

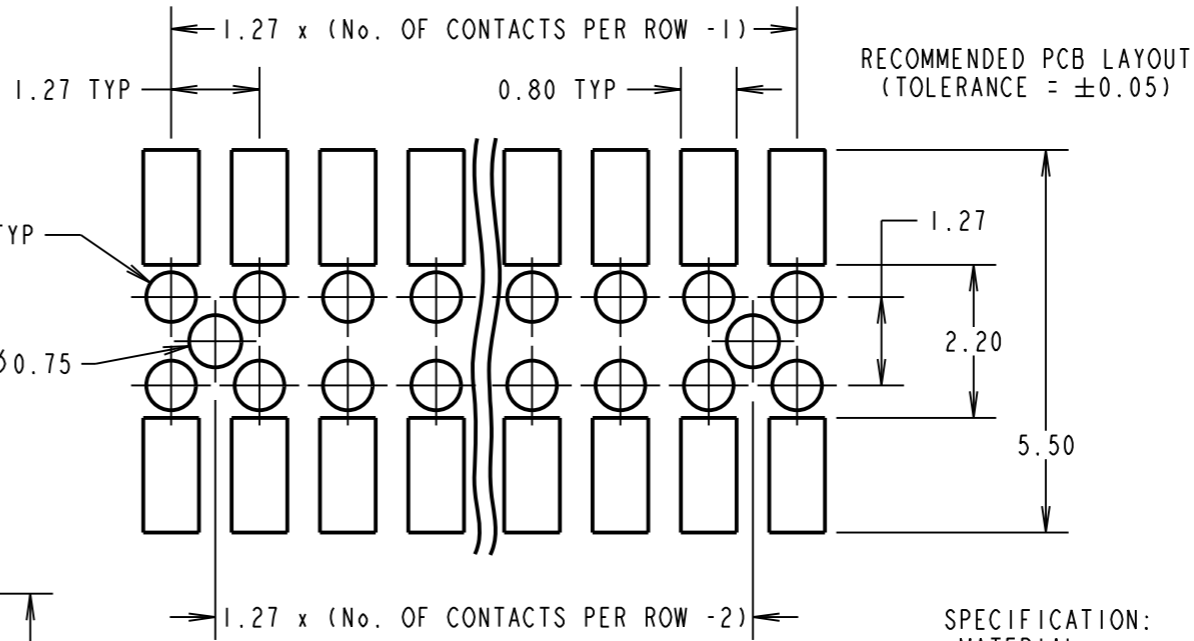
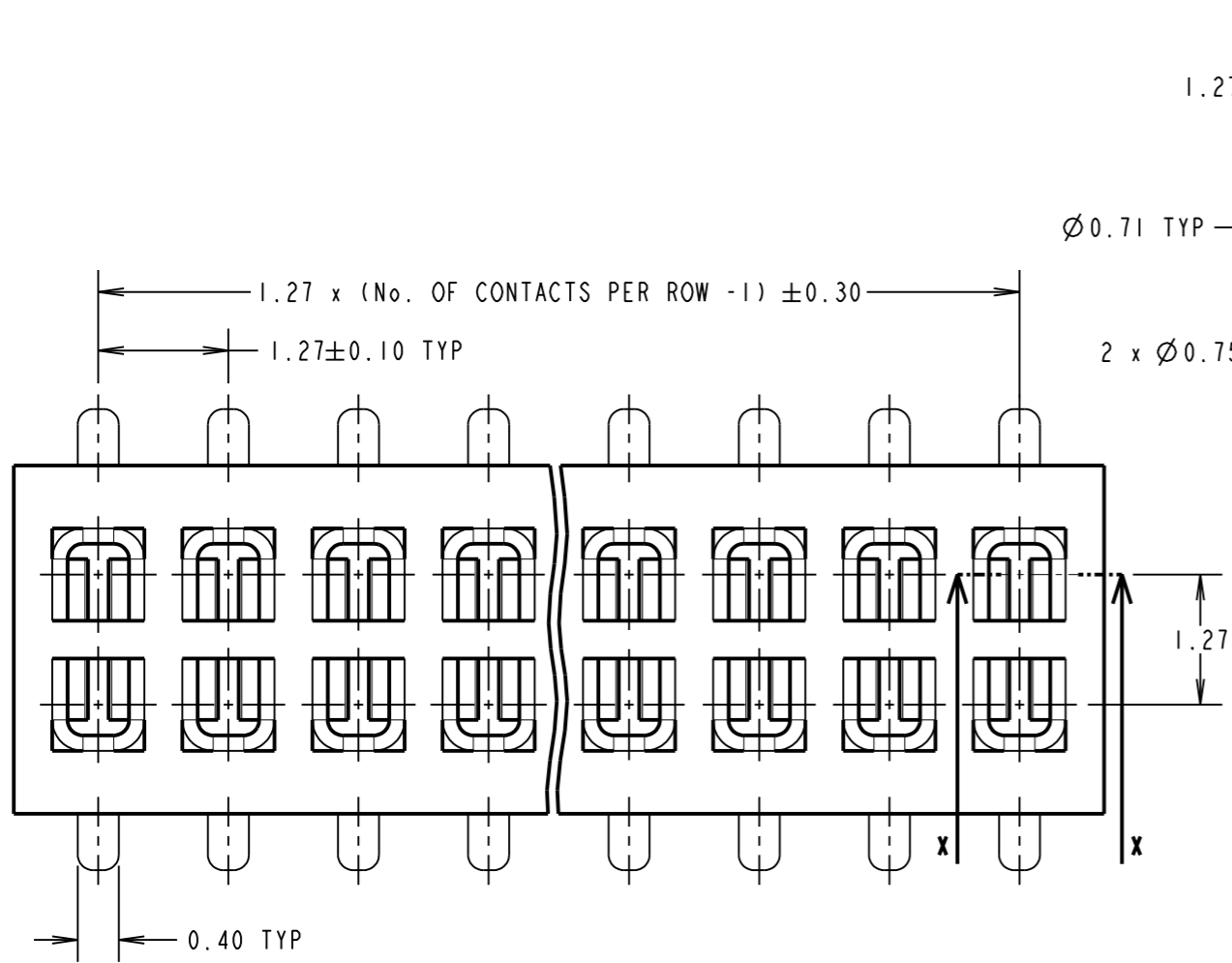
IF IN DOUBT - ASK

(C)

NOT TO SCALE

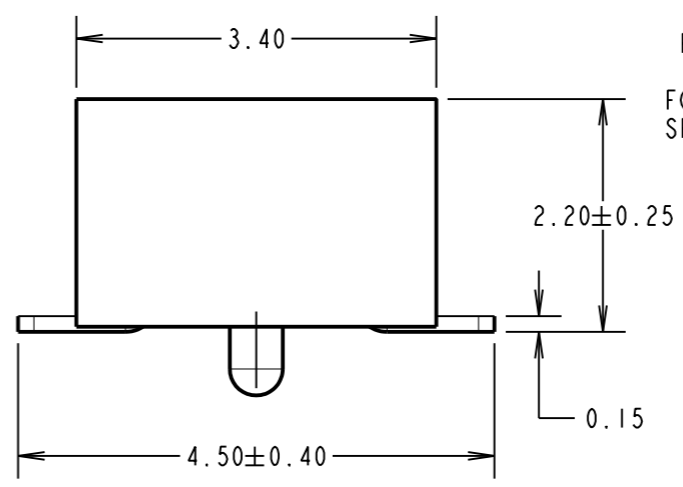
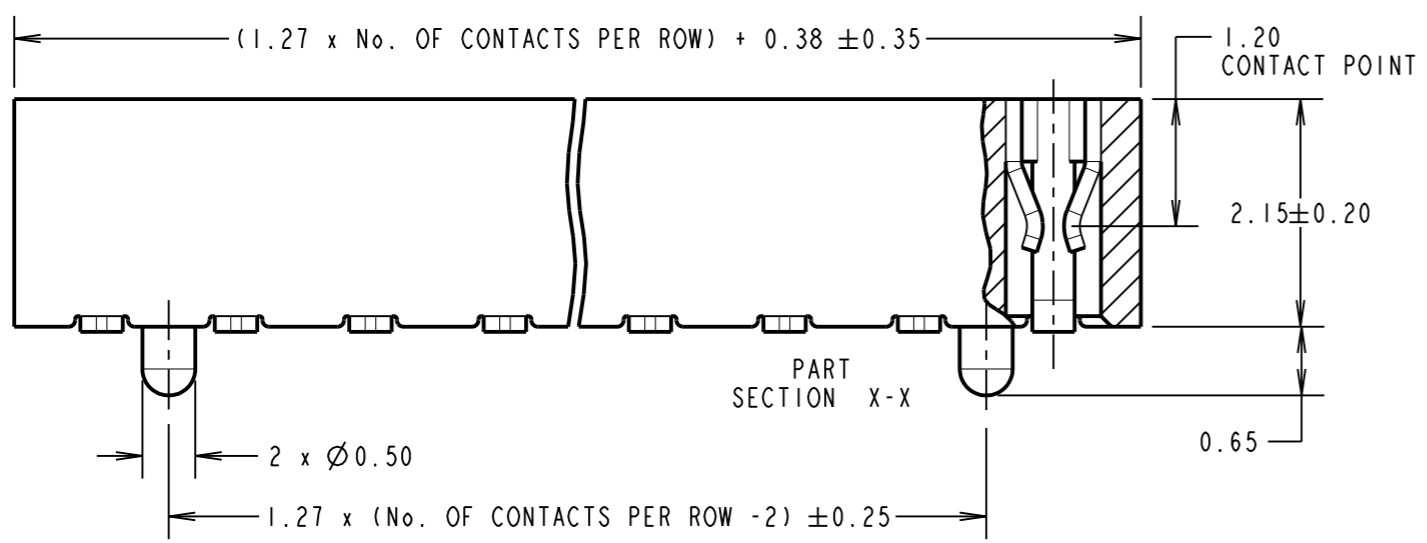
THIRD ANGLE PROJECTION

ALL DIMENSIONS IN mm



ORDER CODE
M50-315XX42
 No. OF CONTACTS PER ROW: _____
 03 TO 40
 FINISH: _____
 42 = GOLD FLASH + 100% TIN OVER NICKEL

SPECIFICATION:
 MATERIAL:
 MOULDING = NYLON-6T, UL94V-0, BLACK
 CONTACTS = PHOSPHOR BRONZE
 FINISH:
 CONTACTS = 1.27μ NICKEL ALL OVER,
 GOLD FLASH ON CONTACT AREA,
 2.54μ 100% TIN ON TAILS
 ELECTRICAL:
 CURRENT RATING = 1A
 CONTACT RESISTANCE = $20m\Omega$ MAX
 INSULATION RESISTANCE = $1000m\Omega$ MIN
 DIELECTRIC WITHSTANDING = 500V AC FOR ONE MINUTE
 MECHANICAL:
 DURABILITY = 300 CYCLES MIN
 INSERTION FORCE = 1.5N MAX PER CONTACT
 WITHDRAWAL FORCE = 0.2N MIN PER CONTACT
 ENVIRONMENTAL:
 TEMPERATURE RANGE = -40°C TO $+105^{\circ}\text{C}$
 PACKING:
 TUBE
 FOR COMPLETE SPECIFICATION, SEE COMPONENT SPECIFICATION C029XX (LATEST ISSUE)



MSP	16	08.08.16	13112
NAME	ISS.	DATE	C/NOTE
APPROVED:		M. PERREN	
CHECKED:		S. BENNETT	
DRAWN:		W. J. BOURNE	
CUSTOMER REF.:			
ASSEMBLY DRG:			

NOTE:
 1. ALL TOLERANCES ARE ± 0.15 UNLESS OTHERWISE STATED.

HARWIN
 www.harwin.com
 technical@harwin.com

THIS DRAWING AND ANY INFORMATION OR DESCRIPTIVE MATTER SET OUT HEREON ARE CONFIDENTIAL AND COPYRIGHT PROPERTY OF THE HARWIN GROUP AND MUST NOT BE DISCLOSED, LOANED, COPIED OR USED FOR MANUFACTURING, TENDERING OR FOR ANY OTHER PURPOSE WITHOUT THEIR WRITTEN PERMISSION.

TOLERANCES
 X = $\pm 1\text{mm}$
 $X.X$ = $\pm 0.50\text{mm}$
 $X.XX$ = $\pm 0.10\text{mm}$
 $X.XXX$ = $\pm 0.01\text{mm}$
 ANGLES = $\pm 5^{\circ}$
 UNLESS STATED

MATERIAL: SEE ABOVE
 FINISH: SEE ABOVE
 S/AREA: mm²

TITLE:
 1.27mm PITCH DIL SMT VERT. LOW-PROFILE SOCKET ASSY
 DRAWING NUMBER:
M50-315XX42
 SHT 2 OF 2