

THIS DRAWING IS UNPUBLISHED. RELEASED FOR PUBLICATION
 © COPYRIGHT - By - ALL RIGHTS RESERVED.

LOC	DIST	REVISIONS					
		P	LTR	DESCRIPTION	DATE	DWN	APVD
H	-		B2	ECR-08-012253	30-10-08	AEG	MKO
			B3	ECR-10-003044	01JUN10	RK	MKO
			B4	ECR-10-004503	13SEP11	RK	MKO

V 4 2 2 5 4 - * 9 * * * - C 9 6 *

TERMINATION-STYLE	IMAGE	
	L	IMAGE
B 01 02 05	2,9±0,3 4,5±0,3 3,7±0,3	
B 03 04 40	6,3±0,3 7,3±0,3 13+0,5	
P 60 61 63 66 67 70	13+0,5 17+0,5 4+0,5 13+0,5 17+0,5 6+0,5	

	CONTACT ASSIGNMENT								NO. OF CONTACTS
0	a	+	+	+	+	+	+	+	96
	b	+	+	+	+	+	+	+	
	c	+	+	+	+	+	+	+	
1	a	+	+	+	+	+	+	+	32
	b	o	o	o	o	o	o	o	
	c	o	o	o	o	o	o	o	
2	a	+	+	+	+	+	+	+	64
	b	+	+	+	+	+	+	+	
	c	o	o	o	o	o	o	o	
3	a	+	+	+	+	+	+	+	64
	b	o	o	o	o	o	o	o	
	c	+	+	+	+	+	+	+	
5	a	o	+	o	+	o	+	o	48
	b	o	+	o	+	o	+	o	
	c	o	+	o	+	o	+	o	
6	a	o	+	o	+	o	+	o	16
	b	o	o	o	o	o	o	o	
	c	o	o	o	o	o	o	o	
7	a	o	+	o	+	o	+	o	32
	b	o	+	o	+	o	+	o	
	c	o	o	o	o	o	o	o	
8	a	o	+	o	+	o	+	o	32
	b	o	o	o	o	o	o	o	
	c	o	+	o	+	o	+	o	

+ CONTACT
o NO CONTACT

3) MINIMUM DIMENSION
 2) BUILD-IN DIMENSION
 1) MAXIMUM DIMENSION


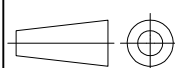
THIS DRAWING IS A CONTROLLED DOCUMENT.		DWN	27JUN89		 TE Connectivity					
		CHK	-							
		APVD	-							
		PRODUCT SPEC	-							
DIMENSIONS: mm		TOLERANCES UNLESS OTHERWISE SPECIFIED:		NAME						
		0 PLC	± -		C-DRAWING: EUROCARD TYPE C RECEPTACLE WITHOUT MOUNTING FLANGES (PN:V42254-B9***-C96*-*-27)					
		1 PLC	± -							
		2 PLC	± -							
		3 PLC	± -							
		4 PLC	± -		SIZE	CAGE CODE	DRAWING NO	RESTRICTED TO		
		ANGLES	± -		A3	00779	C-8-1393642-2	-		
MATERIAL		FINISH		WEIGHT		CUSTOMER DRAWING		SCALE	SHEET	REV
				-		NTS		1 OF 2	B4	

THIS DRAWING IS UNPUBLISHED. RELEASED FOR PUBLICATION
 © COPYRIGHT - By - ALL RIGHTS RESERVED.

LOC	DIST	REVISIONS					
H	-	P	LTR	DESCRIPTION	DATE	DWN	APVD
		-		SEE SHEET 1	-	-	-

OLD PART NUMBER	TE PN	STYLE & NUMBER OF POSITIONS	TERMINATION POSTS	LOADED ROWS	PERFORMANCE LEVEL	BOARD LOCKS
V42254-B9201-C960	8-1393642-2	C96	2,9mm STRAIGHT SOLDER LEADS	EVERY ROW , EVERY PITCH	2	NO
V42254-B9202-C960	8-1393642-3	C96	4,5mm STRAIGHT SOLDER LEADS	EVERY ROW , EVERY PITCH	2	NO
V42254-B9202-C963	8-1393642-4	C96	4,5mm STRAIGHT SOLDER LEADS	ROW A+C , EVERY PITCH	2	NO
V42254-B9202-C965	8-1393642-5	C96	4,5mm STRAIGHT SOLDER LEADS	EVERY ROW , EVERY EVEN PITCH	2	NO
V42254-P9263-C960	1-1393638-7	C96	4mm PRESS-IN TERMINATION	EVERY ROW , EVERY PITCH	2	NO
V42254-P9263-C963	1-1393638-9	C96	4mm PRESS-IN TERMINATION	ROW A+C , EVERY PITCH	2	NO
V42254-P9263-C965	2-1393638-0	C96	4mm PRESS-IN TERMINATION	EVERY ROW , EVERY EVEN PITCH	2	NO
V42254-P9466-C960	2-1393638-5	C96	13mm PRESS-IN + INSERTION AREA PL2	EVERY ROW , EVERY PITCH	2	NO

ACTIVE PART NUMBERS.
 CONTACT TE FOR OTHER CONFIGURATION AVAILABILITY

THIS DRAWING IS A CONTROLLED DOCUMENT.		DWN	27JUN89		 TE Connectivity	
DIMENSIONS: mm		CHK	-			
		TOLERANCES UNLESS OTHERWISE SPECIFIED:		NAME		
MATERIAL		FINISH		PRODUCT SPEC		
-		-		APPLICATION SPEC		
				WEIGHT		
				-		
				SIZE		
				A3		
				CAGE CODE		
				00779		
				DRAWING NO		
				C-8-1393642-2		
				RESTRICTED TO		
				-		
				SCALE		
				NTS		
				SHEET		
				2 OF 2		
				REV		
				B4		