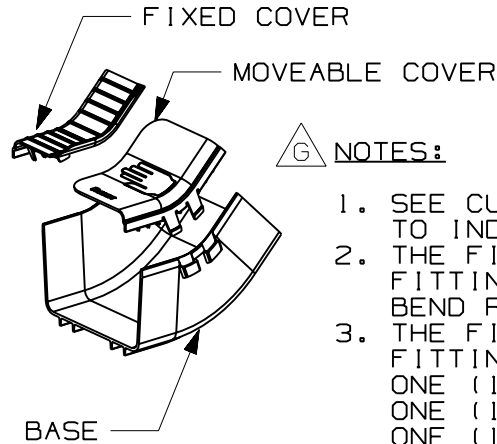
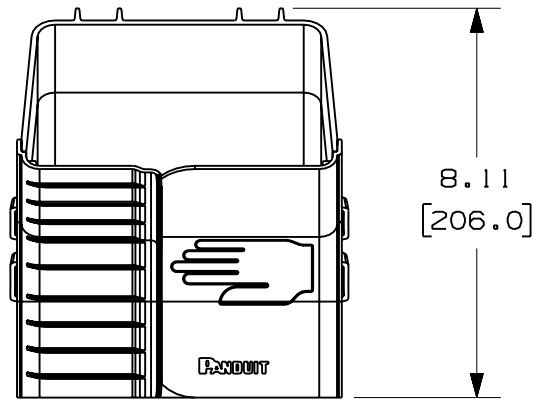


THIS COPY IS PROVIDED ON A RESTRICTED BASIS AND IS NOT TO BE USED IN ANY WAY DETRIMENTAL TO THE INTERESTS OF PANDUIT CORP.

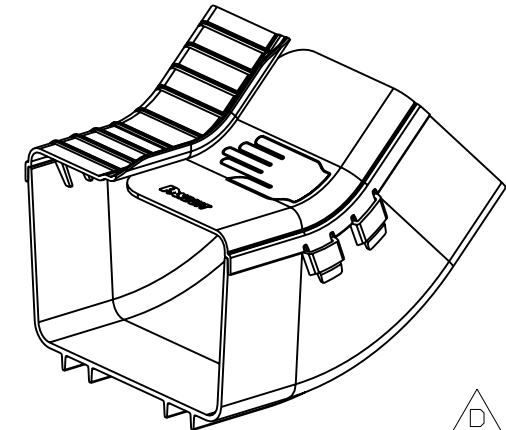
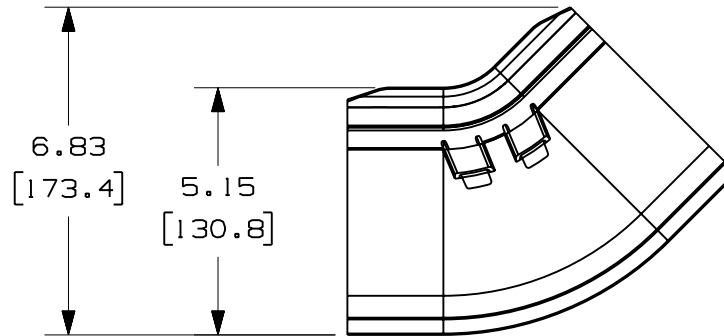
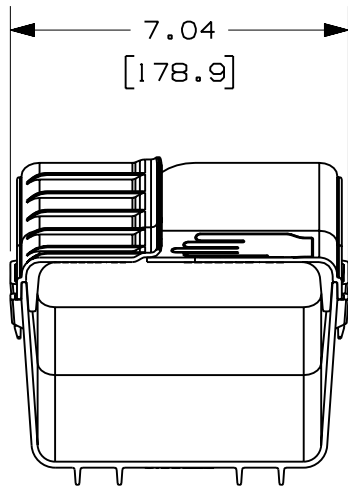


PANDUIT PART NUMBER	WEIGHT
FRIV456X4	0.84 LB/EACH (380g/EACH)



NOTES:

- SEE CURRENT CATALOG FOR ADDITIONAL PART SUFFIXES TO INDICATE COLOR AND/OR PACKAGE QUANTITY.
- THE FIBERRUNNER 6x4 INSIDE VERTICAL 45° ANGLE FITTING IS DESIGNED WITH A MINIMUM 2" (50.8) BEND RADIUS TO PROTECT FIBER OPTIC CABLES.
- THE FIBERRUNNER 6x4 INSIDE VERTICAL 45° ANGLE FITTING INCLUDES:
ONE (1) INSIDE VERTICAL 45° ANGLE BASE,
ONE (1) FIXED COVER SECTION,
ONE (1) MOVEABLE COVER SECTION
- DIMENSIONS IN PARENTHESES ARE IN METRIC.



ENG. REF.: D37185EQ_DC_FRIV456X4_01.prt

CAD FILENAME/LAYERS

F FRIV456X4.pdf

PANDUIT CORP TINLEY PARK, ILLINOIS
FIBERRUNNER 6x4 INSIDE VERTICAL 45° ANGLE FITTING (FRIV456X4)
 CUSTOMER DRAWING

UNLESS OTHERWISE SPECIFIED, DIMENSIONAL TOLERANCES ARE:

(.X) ± (.XXX) ±
 (.XX) ± .03 (.8) ANGLES ±

UNLESS OTHERWISE SPECIFIED, ALL DIMENSIONS ARE GIVEN IN INCHES, THIRD ANGLE PROJECTION.

DRAWN BY
REWE

MAT'L:

SCALE

NONE

DATE
5-1-00

ABS

DRAWING NO.

37185-63

DWG

A

CHK'D
HIW

SIZE

REV	DATE	BY	CHK	DESCRIPTION	ECN	R	CUST	SUP	GMBH
-	-----	---	--	H. REVISED PART WEIGHT	-----	--	--		
-	-----	---	--	G. REVISED GENERAL NOTES F. REVISED CAD FILENAME	-----	--	--		
2	6-30-06	DTP	RN	E. REVISED DRAWING TITLE D. REVISED AND REDRAWN	37185-63	RN	RN		