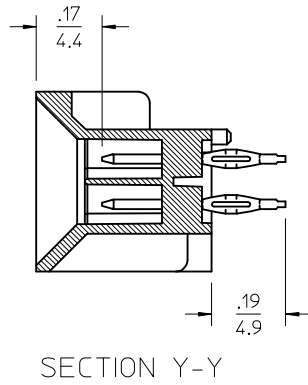
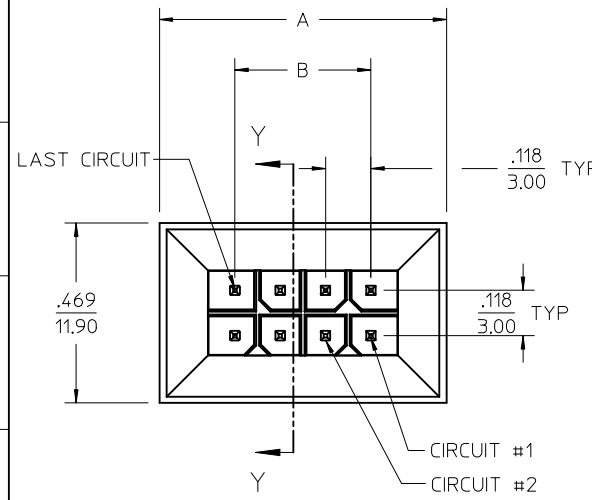
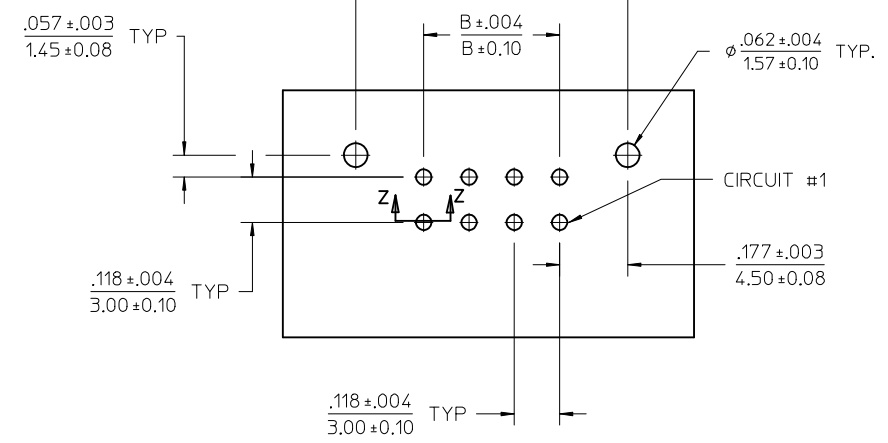


CIRCUIT SIZE	DIM. -A-	DIM. -B-	DIM. -C-
04	.512/13.00	.118/3.00	.472/12.00
06	.630/16.00	.236/6.00	.590/15.00
08	.748/19.00	.354/9.00	.709/18.00
10	.866/22.00	.472/12.00	.827/21.00
12	.984/25.00	.590/15.00	.945/24.00
14	1.102/28.00	.709/18.00	1.063/27.00
16	1.220/31.00	.827/21.00	1.181/30.00
18	1.338/34.00	.945/24.00	1.299/33.00
20	1.457/37.00	1.063/27.00	1.417/36.00
22	1.575/40.00	1.181/30.00	1.535/39.00
24	1.693/43.00	1.299/33.00	1.653/42.00



SECTION Z-Z
SCALE : 20/1



RECOMMENDED PCB LAYOUT (COMPONENT SIDE)
RECOMMENDED PCB THICKNESS .093/2.36 MIN.

- NOTES:
- MATERIALS:**
HOUSING: GLASS FILLED NYLON, UL94V-0, COLOR: BLACK,
TERMINALS: COPPER ALLOY.
 - FINISH:**
A- .000200/(0.00508) MIN. BRIGHT TIN OVER .000050/(0.00127) MIN. NICKEL.
B- .000015/(0.00038) MIN. GOLD IN CONTACT AREA AND .000100/(0.00254) MIN. TIN/LEAD (90/10) ON PCB TAILS BOTH OVER .000050/(0.00127) MIN. NICKEL OVERALL.
C- .000030/(0.00076) MIN. GOLD IN CONTACT AREA AND .000100/(0.00254) MIN. TIN/LEAD (95/05) ON PCB TAILS BOTH OVER .000050/(0.00127) MIN. NICKEL OVERALL.
D- .000200/(0.00508) MIN. MATTE TIN IN CONTACT AREA AND .000100/(0.00254) MIN. MATTE TIN ON PCB TAILS BOTH OVER .000050/(0.00127) MIN. NICKEL. OVERALL.
 - PRODUCT SPECIFICATION:** PS-44300-001
 - PACKAGING SPECIFICATION:** PK-45280-002.
 - THIS ASSEMBLY MATES WITH MOLEX BMI PANEL MOUNT RECEPTACLE SERIES 44133 WITH FEMALE CRIMP TERMINAL SERIES 43030 OR 46235, OR BMI RECEPTACLE HEADER SERIES 44764 (RIGHT ANGLE) AND 44769 (VERTICAL).
 - THIS HEADER REQUIRES A MOLEX INSERTION TOOL (62200-8400) TO PROPERLY INSTALL IT TO THE PCB.

REV	DESCRIPTION	QUALITY SYMBOLS
5	UPDATE NOTE 5	▽=0
4	EC NO: UCP2013-1264	▽=0
3	DRWINHNGUYEN 2012/09/28	▽=0
2	CHKD:SSOUSEK 2012/09/28	
1	APPR:FSMITH 2012/10/12	

GENERAL TOLERANCES (UNLESS SPECIFIED)	
mm	INCH
4 PLACES ±---	±---
3 PLACES ±---	±.010
2 PLACES ±.25	±.015
1 PLACE ±0.38	±---
0 PLACE ±	±

ANGULAR ±1/2°
DRAFT WHERE APPLICABLE MUST REMAIN WITHIN DIMENSIONS

DIMENSION STYLE		SCALE	DESIGN UNITS	THIRD ANGLE PROJECTION
IN/MM		4:1	METRIC	
DRAWN BY	DATE	TITLE		
MARGULIS	2002/06/11	MICRO-FIT (3.0) DUAL ROW VERTICAL BMI CPI HEADER - ASS'Y		
CHECKED BY	DATE			
MARGULIS	2002/06/11			
APPROVED BY	DATE	DOCUMENT NO.		
R. FRY	2002/06/11	SD-45280-001		
MATERIAL NO.		SHEET NO.		
SEE CHART		1 OF 2		

THIS DRAWING CONTAINS INFORMATION THAT IS PROPRIETARY TO MOLEX INCORPORATED AND SHOULD NOT BE USED WITHOUT WRITTEN PERMISSION

PLATING OPTION: A		PLATING OPTION: B		PLATING OPTION: C		PLATING OPTION: D	
MATERIAL NUMBER	CIRCUIT SIZE	MATERIAL NUMBER	CIRCUIT SIZE	MATERIAL NUMBER	CIRCUIT SIZE	MATERIAL NUMBER	CIRCUIT SIZE
452800401	04	452800402	04	452800403	04	452800404	04
452800601	06	452800602	06	452800603	06	452800604	06
452800801	08	452800802	08	452800803	08	452800804	08
452801001	10	452801002	10	452801003	10	452801004	10
452801201	12	452801202	12	452801203	12	452801204	12
452801401	14	452801402	14	452801403	14	452801404	14
452801601	16	452801602	16	452801603	16	452801604	16
452801801	18	452801802	18	452801803	18	452801804	18
452802001	20	452802002	20	452802003	20	452802004	20
452802201	22	452802202	22	452802203	22	452802204	22
452802401	24	452802402	24	452802403	24	452802404	24

OBSOLETE AS OF 10/1/2012
SEE SD-45280-002 FOR REPLACEMENTS

OBS TIN LEAD P/NS EC NO: UCP2013-1264 DRAWN: NGUYEN 2012/09/28 CHKD: SSOUSEK 2012/09/28 APPR: F. SMITH 2012/10/12	REV	QUALITY SYMBOLS	GENERAL TOLERANCES (UNLESS SPECIFIED)	DIMENSION STYLE IN/MM		SCALE 4:1	DESIGN UNITS METRIC	THIRD ANGLE PROJECTION		
		▽=0	mm	INCH	DRAWN BY MARGULIS	DATE 2002/06/11	TITLE MICRO-FIT (3.0) DUAL ROW VERTICAL BMI CPI HEADER - ASS'Y molex			
		▽=0	4 PLACES ± ---	± ---	CHECKED BY MARGULIS	DATE 2002/06/11				
		▽=0	3 PLACES ± ---	± .010	APPROVED BY R. FRY	DATE 2002/06/11	MATERIAL NO. SEE CHART	DOCUMENT NO. SD-45280-001	SHEET NO. 2 OF 2	
DRAFT WHERE APPLICABLE MUST REMAIN WITHIN DIMENSIONS			ANGULAR ±1/2°		THIS DRAWING CONTAINS INFORMATION THAT IS PROPRIETARY TO MOLEX INCORPORATED AND SHOULD NOT BE USED WITHOUT WRITTEN PERMISSION					