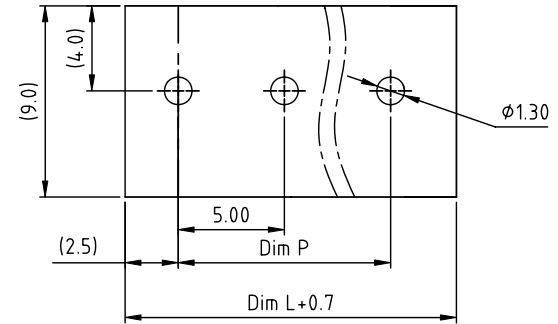
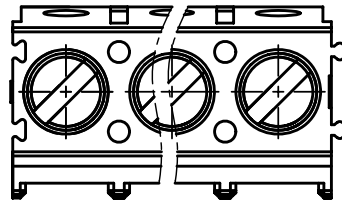
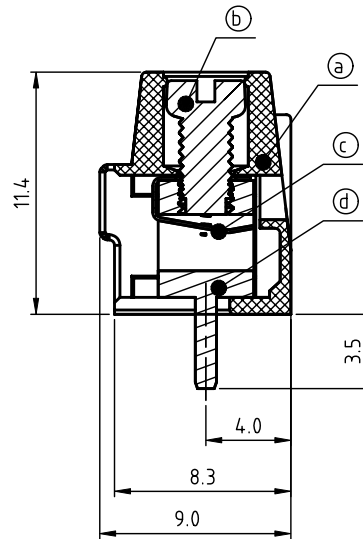
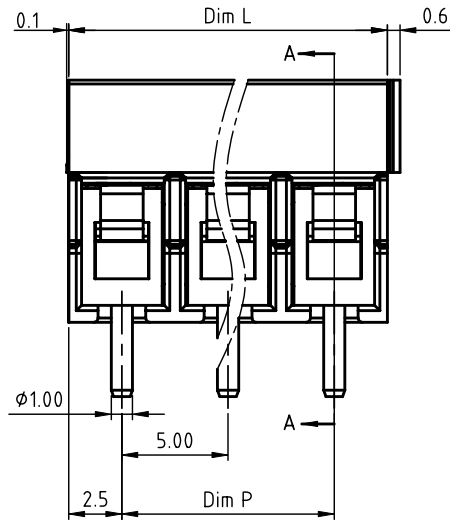


PRODUCT NUMBER	PITCH
KYxx01x000J0G	5.00 mm



RECOMMENDED P.C.B LAYOUT
TOP VIEW



SECTION A-A

Materials

- Item (a) Terminal housing: Thermoplastic (UL 94V-0)
- Item (b) Terminal screw: Steel Zinc plating ("-" slot type)
- Item (c) Wire guard: Stainless steel
- Item (d) Terminal body: Brass (CuZn), Tin Plated

- | | | |
|--|-------|------------------------|
| Electrical | cULus | CQC |
| ● Voltage rating: 300VAC | | 250VAC |
| ● Current rating: 15A | | 24A |
| ● Wire range: | | |
| ● Solid wire: 12-24 AWG | | 0.2-2.5mm ² |
| ● Stranded wire: 12-24 AWG | | 0.2-2.5mm ² |
| ● Torque: 3.0 Lb-In | | 0.4 N.m |
| ● Screw: M2.6 | | |
| ● Wire strip length: 5-6mm | | |
| ● Withstanding Voltage: 1.6KV | | 2KV |
| ● Operating temperature: -40°C to +115°C | | |
| ● Soldering temperature: 260°C±5°C/5 Sec | | |
| ● Safety Approval: | | |

N = Number of poles
Dim L = N x 5.0
Dim P = (N-1) x 5.0

Poles	Dim	Dim L	Dim P
2-6p		±0.15	±0.10
7-12p		±0.20	±0.20
13-18p		±0.30	±0.25
19-24p		±0.40	±0.30

PART NO.: KY xx 01 x 0 00J0 G

- | | | |
|---------------|----------------------|-----------------|
| End stackable | Body Color | RoHS compliant |
| No. of poles | 0 Black (RAL9005) | (lead<4%) |
| 02 2 poles | 2 Red (RAL3001/D) | In copper Alloy |
| 03 3 poles | 3 Orange (RAL2011/P) | |
| ... | 4 Yellow (RAL1018/A) | |
| 24 24 poles | 5 Green (RAL6018/T) | |
| | 6 Blue (RAL5015/A) | |
| | 8 Grey (RAL7035/D) | |
| | 9 White (RAL1102) | |
| | C Green (RAL6018/U) | |

mat'l. code		surface ASME Y14.5	tolerance ASME Y14.5	projection	product family TERMINAL BLOCK
ltr	ecn no	dr	date	 MM	title TERMINAL BLOCK WIRE PROTECTOR, SQUARE HOLE, 180D WIRE INLET
tolerances unless otherwise specified					
angles		X.±0.5		scale	dwg no KYxx01x000J0G
X*±1°		X.XX±0.1			
dr		EVIN ZHONG	040214		sheet 1 of 1
enrg		EVIN ZHONG	040214		size A4
chr		HANKE FENG	040214		type CUSTOMER Drawing
appd		SHI JUN	040214		
sheet index	revision sheet	A	1		