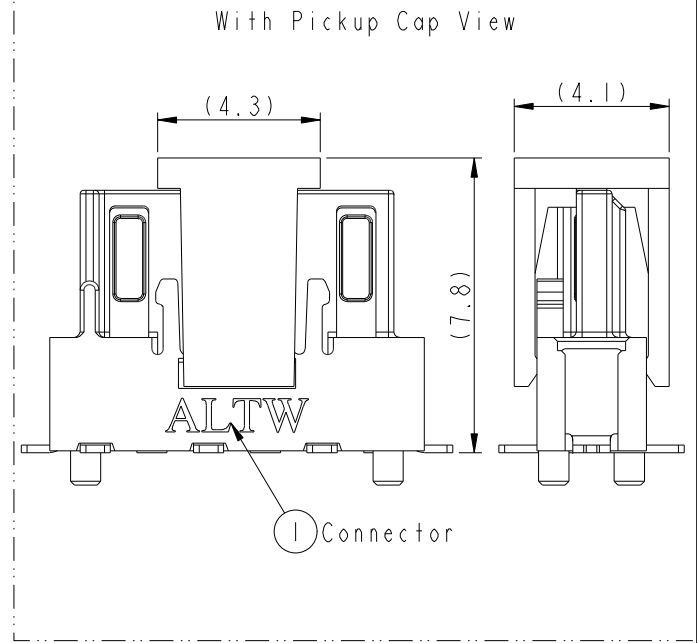
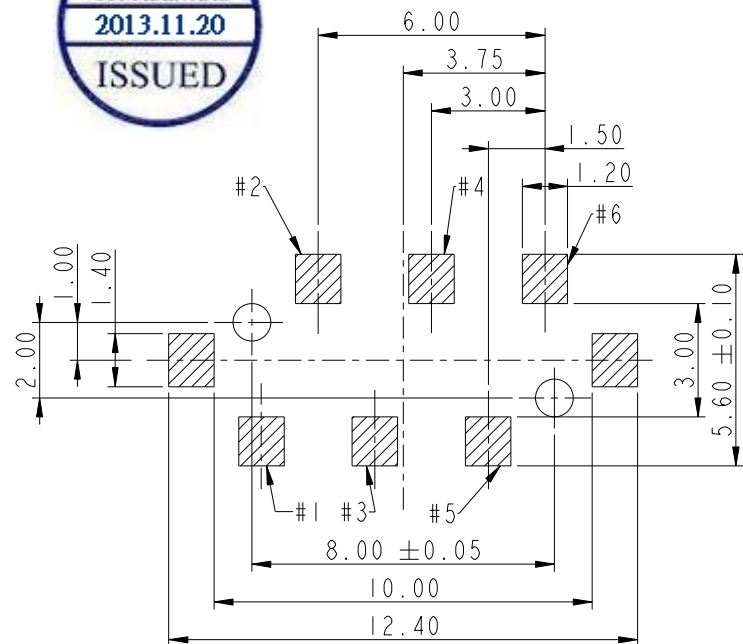
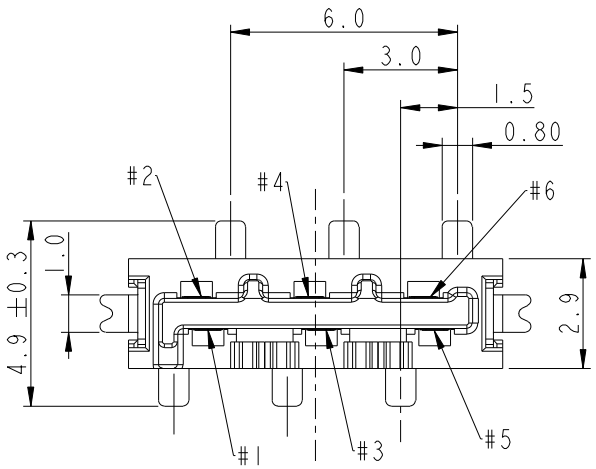
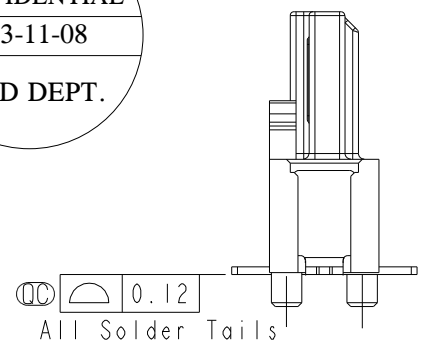
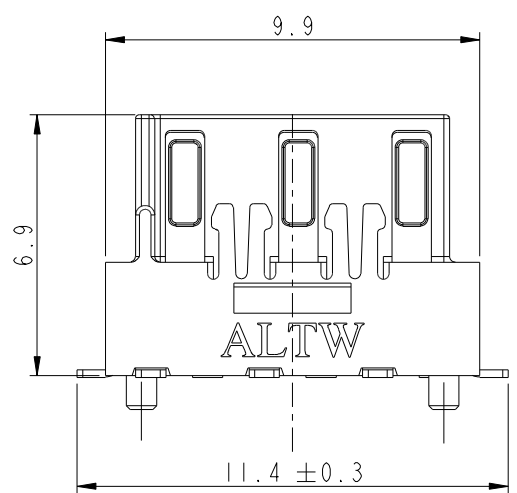
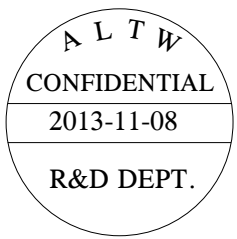


REV.	ECN NO.	DATE	SIGN	DESCRIPTION
A	Initial Release	2013-11-08	Fisher	Initial Release



RECOMMENDED P.C.B. LAYOUT  
GENERAL TOLERANCE IS ±0.05



- Notes:
- \*  $\varnothing$  Important Dimension To Check.
  - \* Housing: High temperature thermoplastic. UL94V-0, color is Natural white.
  - \* Pickup Cap: High temperature thermoplastic. UL94V-0, color is Black.
  - \* Terminal: Copper Alloy, Gold Plated on contact area. Tin plated on solder tails.
  - \* Solder Peg: Copper Alloy, Tin plated over Nickel.

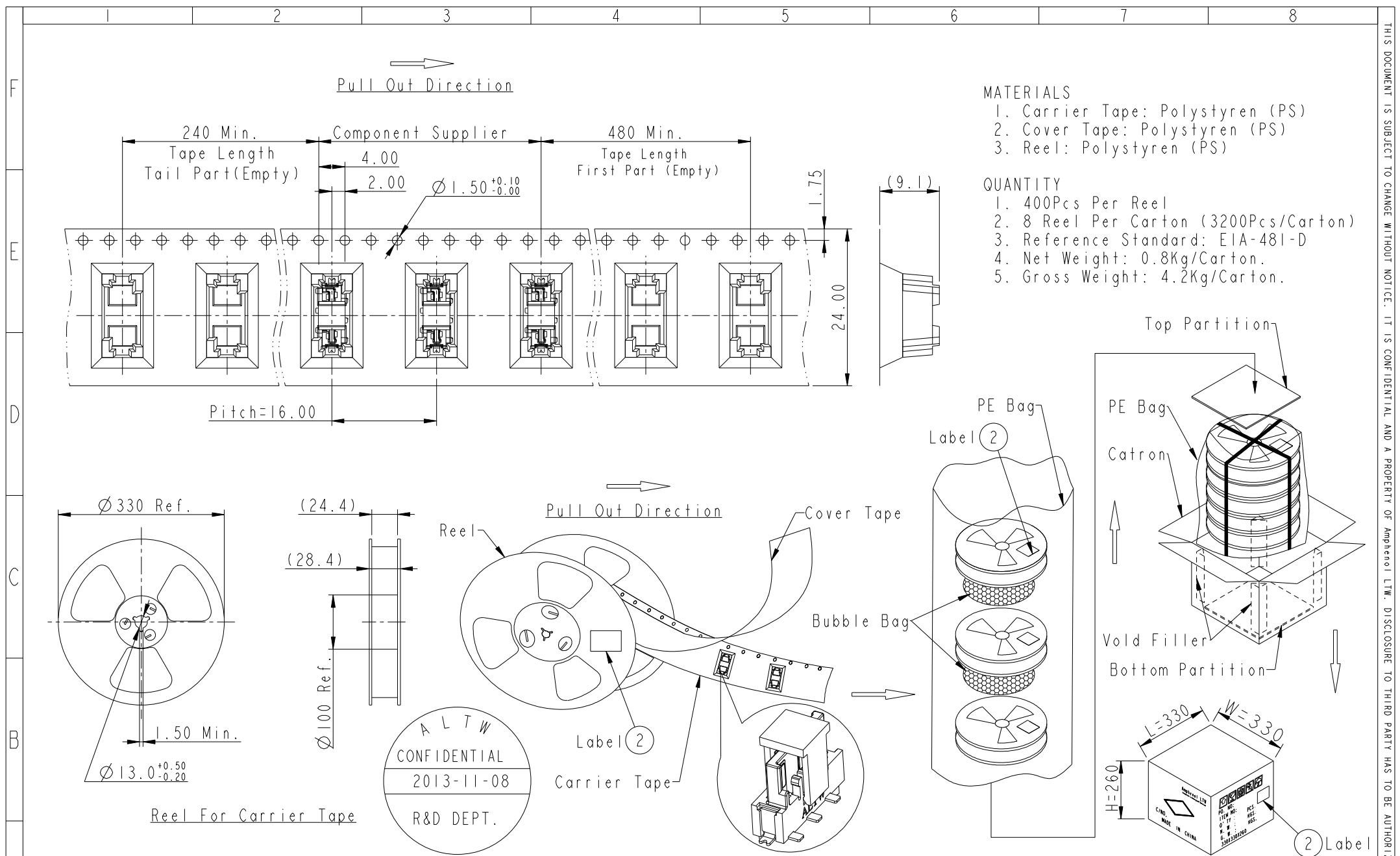
UNIT: mm	$\varnothing$	TITLE	SSL-1.1 DC 6P PLUG CONN, WITH POST, S/T, SMT TYPE		
TOLERANCE		SCALE	5:1	SIZE	A4
.X	±0.25	REV.	A	WC-REV.	A.6
.XX	±0.1	SHEET 1 OF 2		QC: Inspection item	
.XXX	±0.05				
ANGLES	±1°				

**Amphenol LTW**  
安費諾亮泰企業股份有限公司

ITEM NO.	SSL11-P6A00-000001	DRAWN BY	Fisher_Wang	DATE	2013-11-08
DWG NO.	SSL11-P6A00-000001	CHECKED BY	Ivan_Lin	DATE	2013-11-08
CUSTOMER	ALTW	APPROVED BY	Kevin_Hu	DATE	2013-11-08

THIS DOCUMENT IS SUBJECT TO CHANGE WITHOUT NOTICE. IT IS CONFIDENTIAL AND A PROPERTY OF Amphenol LTW. DISCLOSURE TO THIRD PARTY HAS TO BE AUTHORIZED BY Amphenol LTW.

THIS DOCUMENT IS SUBJECT TO CHANGE WITHOUT NOTICE. IT IS CONFIDENTIAL AND A PROPERTY OF Amphenol LTW. DISCLOSURE TO THIRD PARTY HAS TO BE AUTHORIZED BY Amphenol LTW.



**MATERIALS**

1. Carrier Tape: Polystyren (PS)
2. Cover Tape: Polystyren (PS)
3. Reel: Polystyren (PS)

**QUANTITY**

1. 400Pcs Per Reel
2. 8 Reel Per Carton (3200Pcs/Carton)
3. Reference Standard: EIA-481-D
4. Net Weight: 0.8Kg/Carton.
5. Gross Weight: 4.2Kg/Carton.

A L T W  
CONFIDENTIAL  
2013-11-08  
R&D DEPT.

UNIT:mm			TITLE SSL-1.1 DC 6P PLUG CONN, WITH POST,S/T,SMT TYPE			ITEM NO SSL11-P6A00-000001	DRAWN BY Fisher_Wang	DATE 2013-11-08
			TOLERANCE .X ±0.25 .XX ±0.1 .XXX ±0.05 ANGLES ±1°			SCALE 5:1	SIZE A4	SHEET 2 OF 2
			REV. A	WC-REV. A.3	QC: Inspection item	CUSTOMER ALTW	APPROVED BY Kevin_Hu	DATE 2013-11-08

**Amphenol LTW**  
安費諾亮泰企業股份有限公司

2 Label