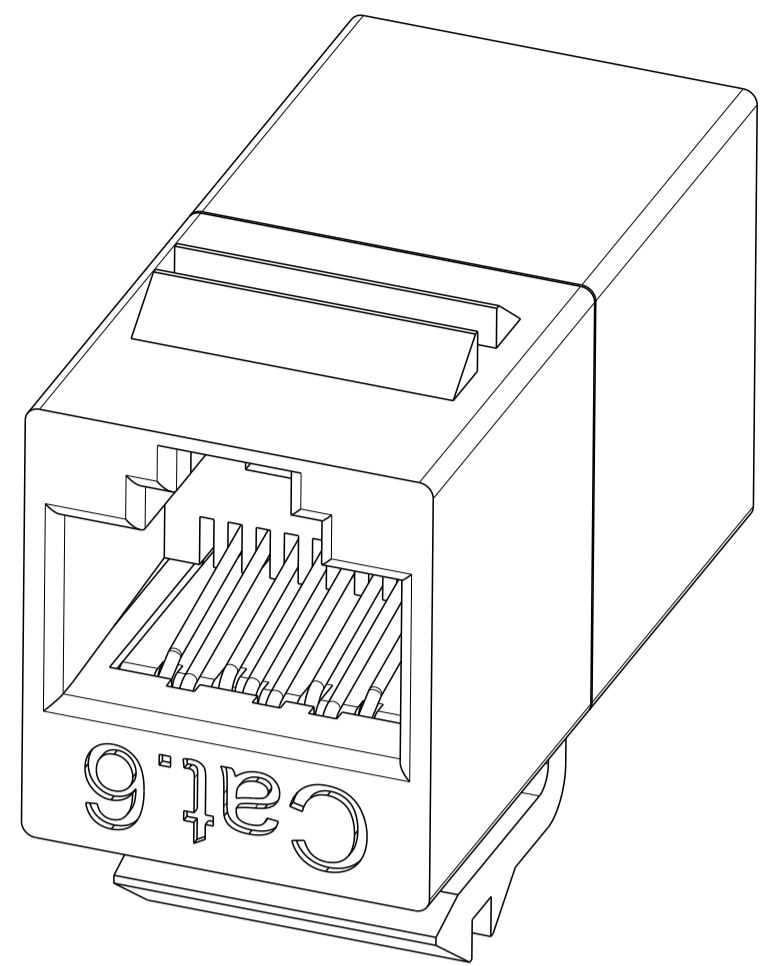
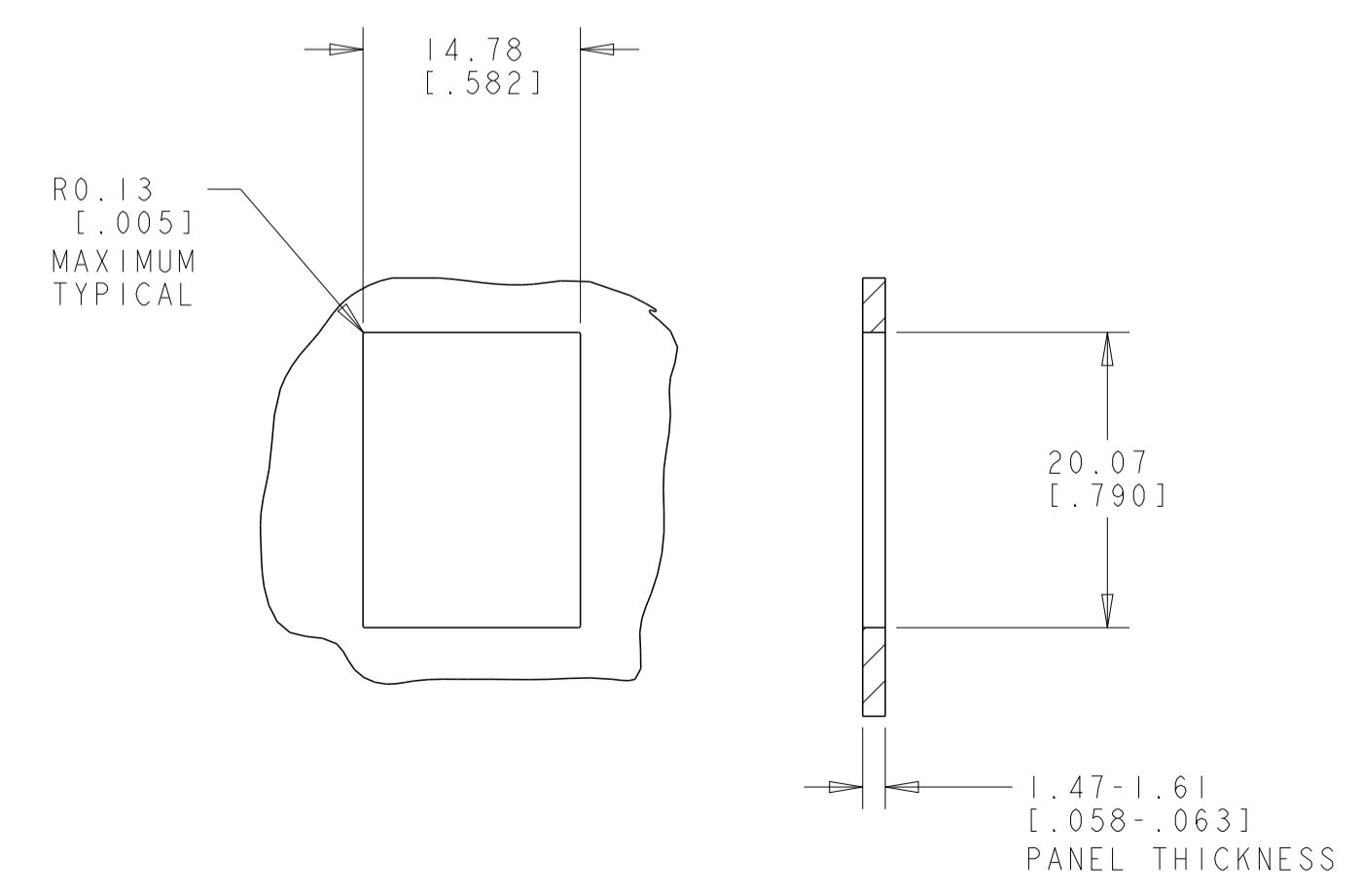
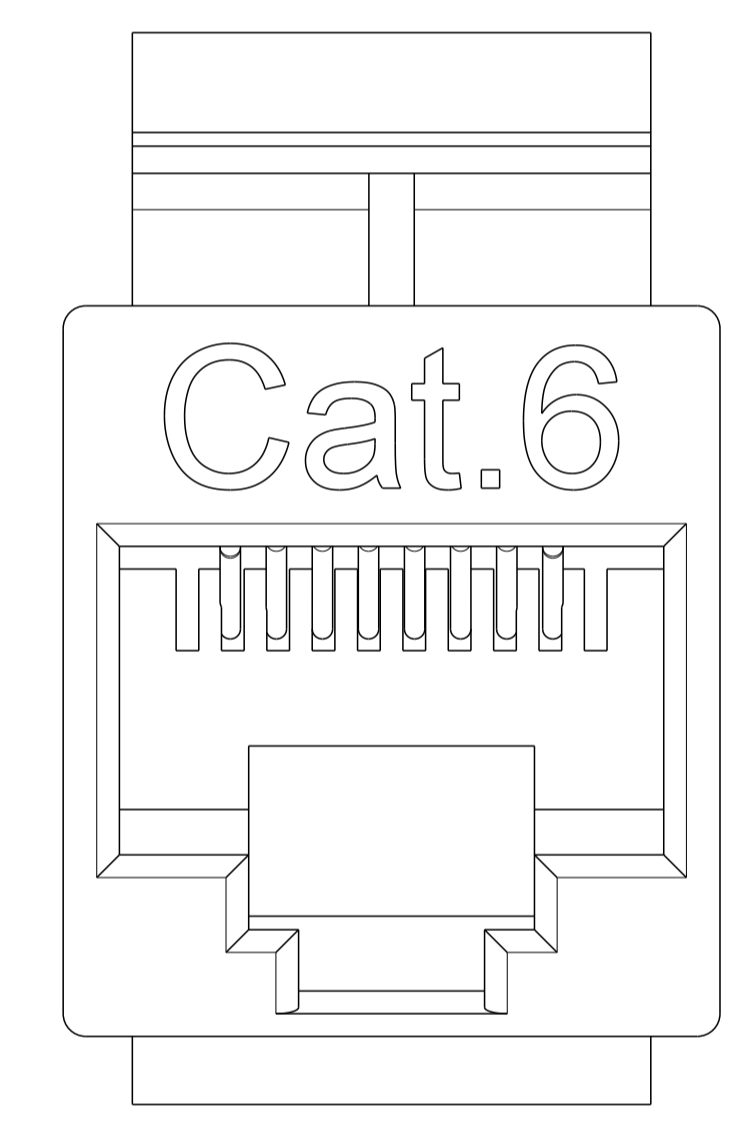
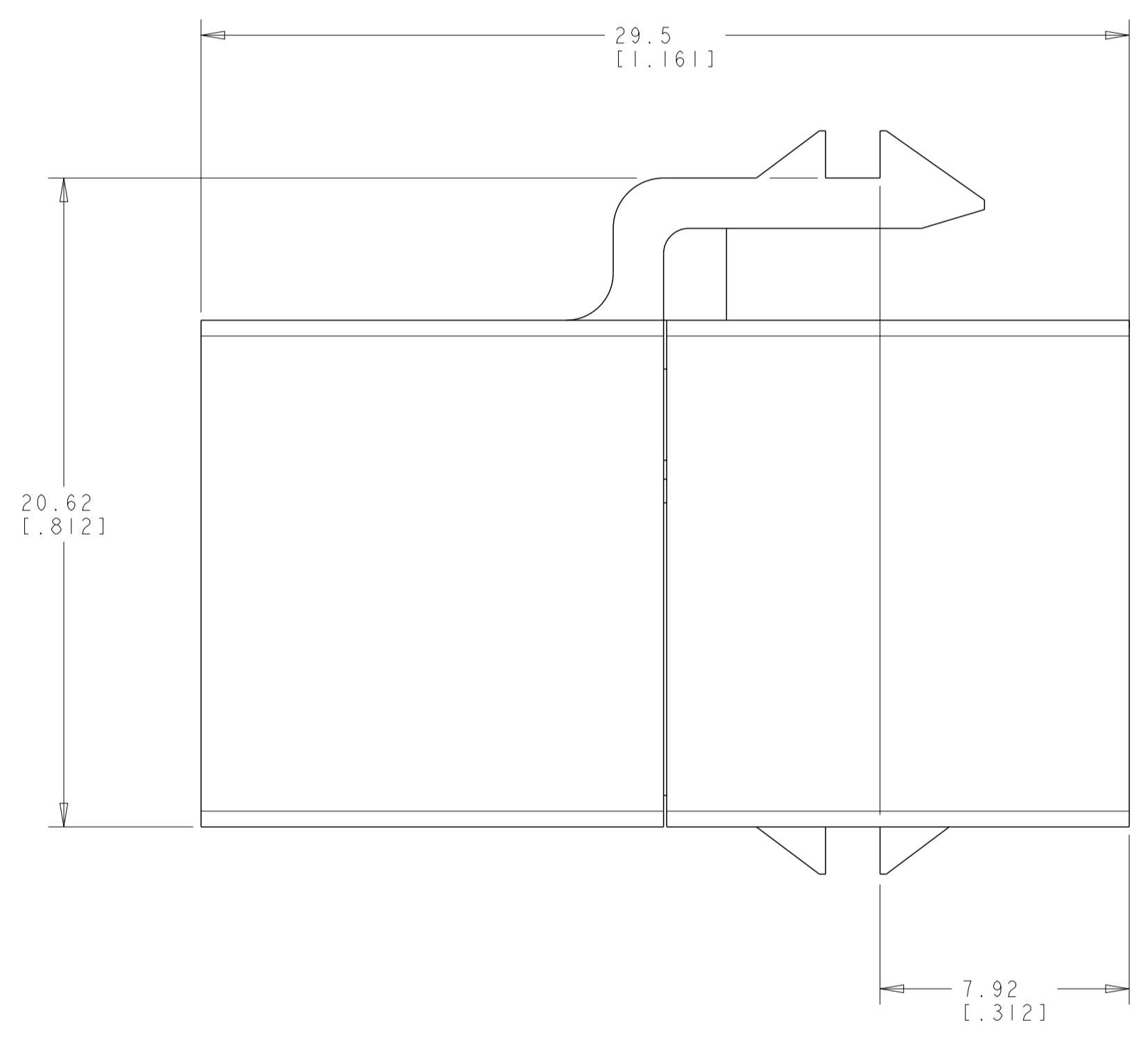
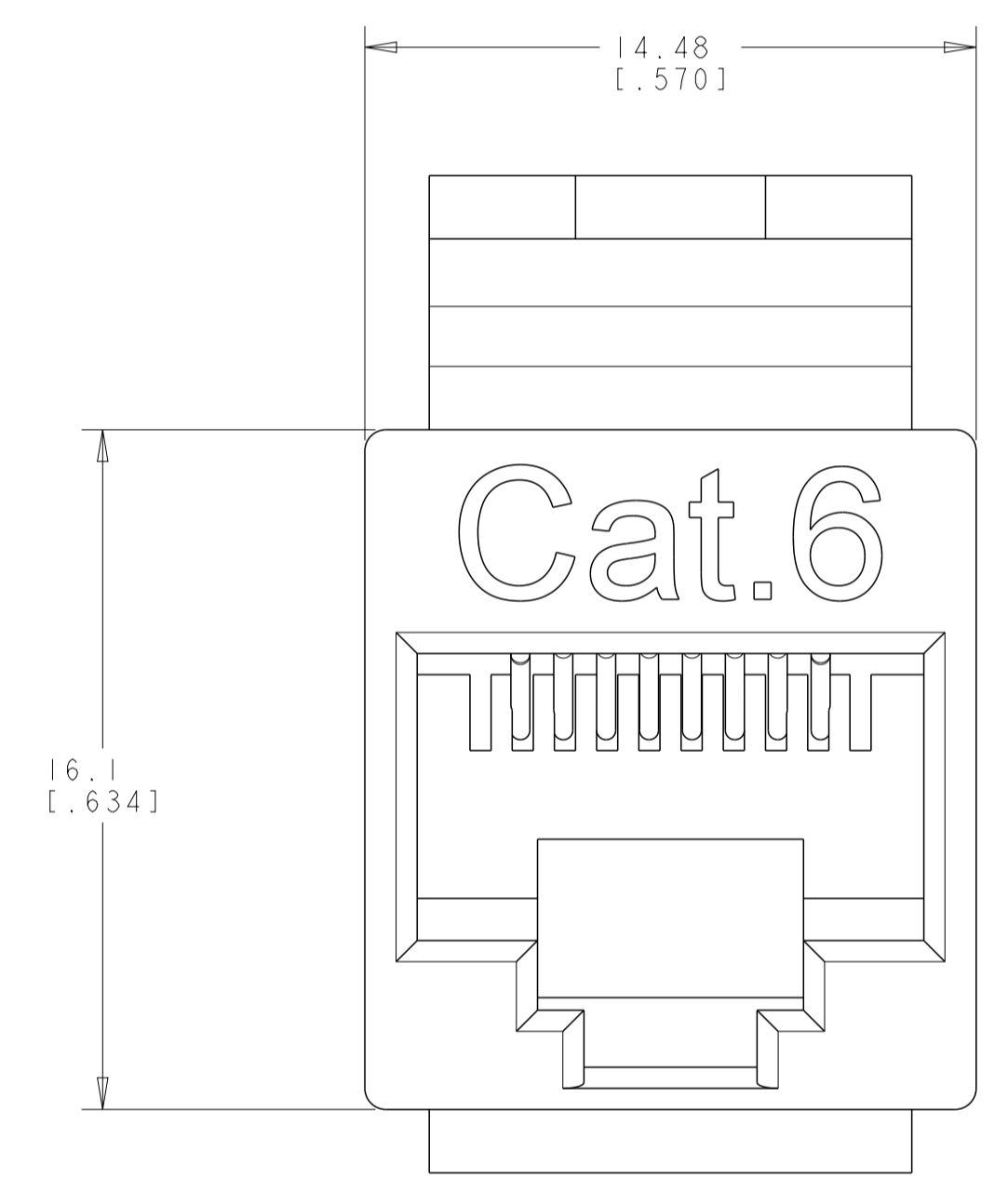


REVISIONS				
P	LTN	DESCRIPTION	DATE	APVD
A	RLSD;	ECO-09-027567	14DEC2009	GG RA
B	REV;	40024240MCO	19AUG2015	GG RA

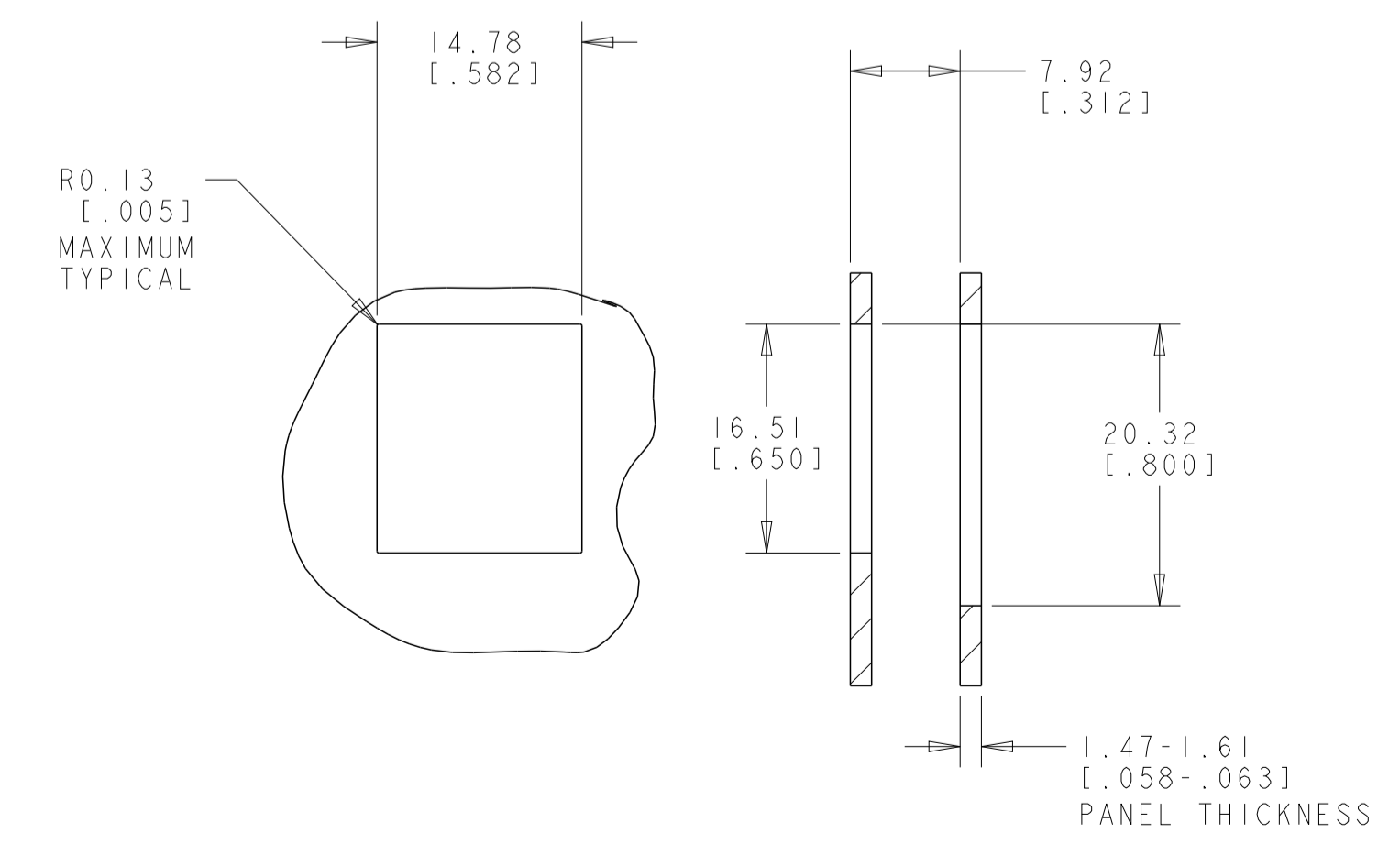


SCALE 4:1

- 1. ALL DIMENSIONS SHOWN ARE NOMINAL UNLESS OTHERWISE SPECIFIED.
- 2. MATERIAL:
 COUPLER HOUSING - ABS HIGH-IMPACT UL94V-0 THERMOPLASTIC.
 CONTACTS - PHOSPHOR BRONZE, 50u" GOLD OVER 50u" NICKEL UNDERCOAT.
- 3. MOUNTING PANEL THICKNESS .062 [1.57] NOMINAL.



SINGLE PANEL CUTOUT



SUGGESTED FLUSH MOUNT
 PANEL APPLICATION CUTOUT

2111123-1
 PART NUMBER

THIS DRAWING IS A CONTROLLED DOCUMENT.		DWN G. GARRETT 18NOV2009	TE Connectivity
DIMENSIONS: INCHES [MM]		CHK R. ASHBY 18NOV2009	
DIMENSIONS: INCHES [MM] 0 PLC ± 1 PLC ± 2 PLC ± 3 PLC ± 4 PLC ± ANGLES ± FINISH ±		TOLERANCES UNLESS OTHERWISE SPECIFIED: ± ± ± ± ± ±	NAME COUPLER, SL, INLINE, CAT6, UNSHIELDED
MATERIAL		APVD R. ASHBY 18NOV2009	APPLICATION SPEC - SIZE A100779C=2111123
Customer Drawing		WEIGHT	RESTRICTED TO - SCALE 6:1 SHEET 1 OF 1 REV B