

Customer Information Sheet

DRAWING No.: S1711-XX

IF IN DOUBT - ASK

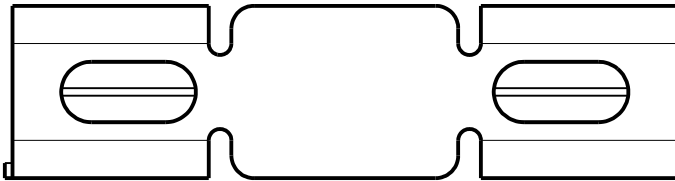
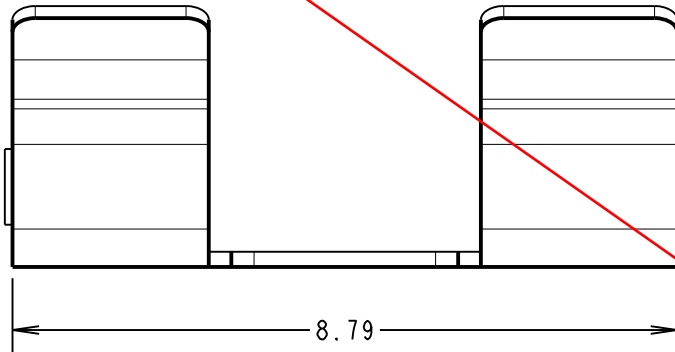
©

NOT TO SCALE

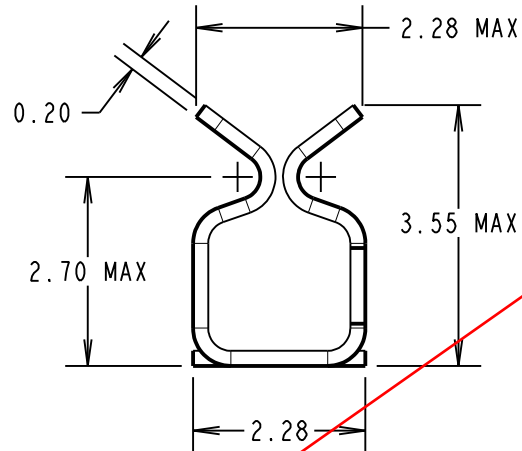
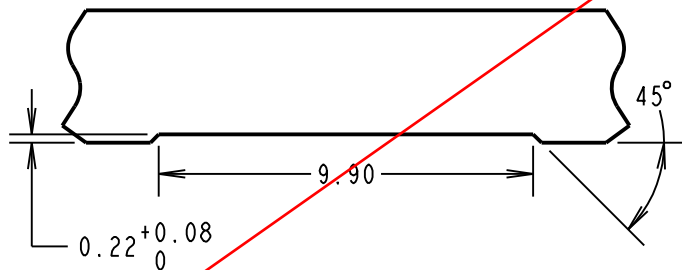
THIRD ANGLE PROJECTION

ALL DIMENSIONS IN mm

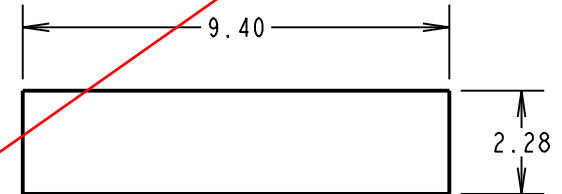
OBSOLETE



RECOMMENDED SHIELD CAN CUT OUT



RECOMMENDED PAD LAYOUT



ORDER CODE:

S1711-XX

FINISH:

06 = TIN/LEAD OVER NICKEL
46 = 100% TIN OVER NICKEL

NOTES:

- FOR TAPE AND REELED VERSION, SEE DRAWING S1711-XXR.
- SUPPLIED IN A STRIP OF 100, PACKED IN A BAG.

SPECIFICATION:

MATERIAL = BERYLLIUM COPPER

FINISH:

- 06 = 2.5-3.5 μ TIN/LEAD,
OVER 2.0-4.0 μ NICKEL
46 = 2.4-3.6 μ 100% TIN,
OVER 2.4-3.6 μ NICKEL

ELECTRICAL:

CONTACT RESISTANCE = 20m Ω MAX

ENVIRONMENTAL:

OPERATING TEMPERATURE = -40°C TO +125°C

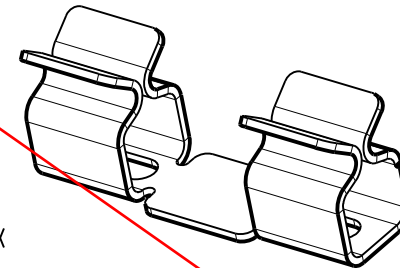
MECHANICAL:

INSERTION FORCE (AFTER CONDITIONING) = 4N MAX

WITHDRAWAL FORCE = 0.5N MIN

DURABILITY = 20 INSERTIONS MINIMUM

SHIELD THICKNESS = 0.17mm - 0.30mm



MSP	9	03.08.17	20719
NAME	ISS.	DATE	C/NOTE
APPROVED:		M. PERREN	
CHECKED:		S. BENNETT	
DRAWN:		J. ENRIGHT	
CUSTOMER REF.:			
ASSEMBLY DRG.:			

HARWIN

www.harwin.com
technical@harwin.com

THIS DRAWING AND ANY INFORMATION OR DESCRIPTIVE MATTER SET OUT HEREON ARE CONFIDENTIAL AND COPYRIGHT PROPERTY OF THE HARWIN GROUP AND MUST NOT BE DISCLOSED, LOANED, COPIED OR USED FOR MANUFACTURING, TENDERING OR FOR ANY OTHER PURPOSE WITHOUT THEIR WRITTEN PERMISSION.

TOLERANCES

X. = ± 1 mm
X.X = ± 0.50 mm
X.XX = ± 0.10 mm
X.XXX = ± 0.01 mm

ANGLES = $\pm 5^\circ$

UNLESS STATED

MATERIAL:

SEE ABOVE

FINISH:

SEE ABOVE

S/AREA:

mm²

TITLE:

SMT RFI SHIELD CLIP
(LOOSE)

DRAWING NUMBER:

S1711-XX

SHT

2 OF 2