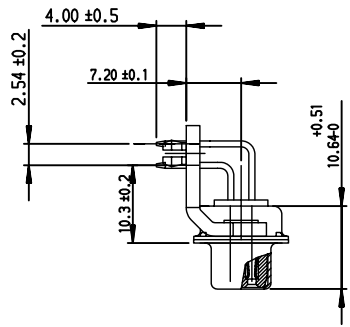
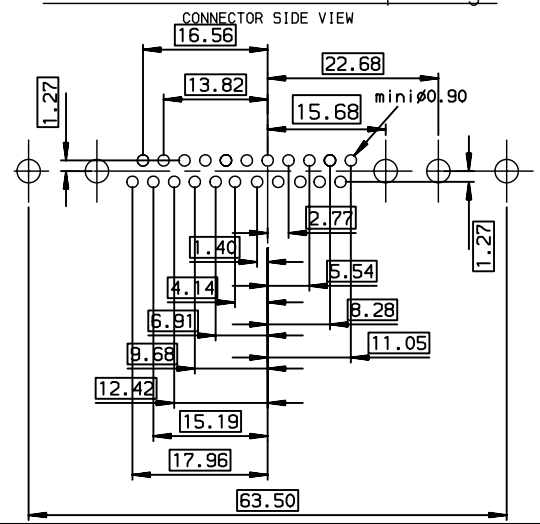
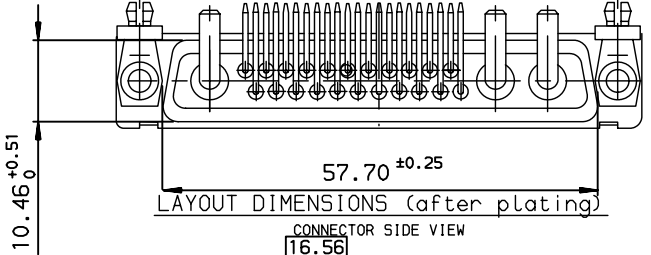
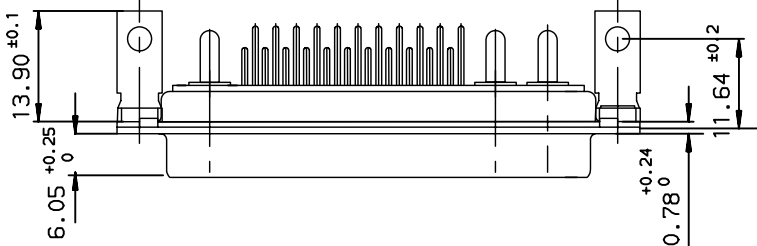
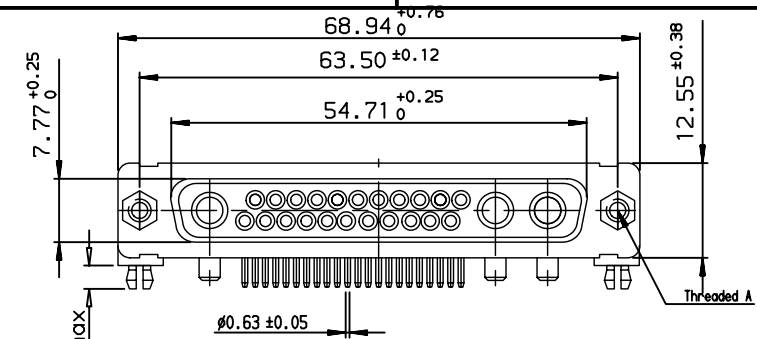
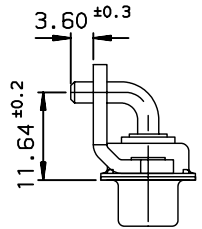


GENERAL CHARACTERISTICS : SEE DRAWING C01-8639-0000



VIEW WITHOUT POWERS CONTACTS



VIEW WITH POWERS CONTACTS

DC025W3S500G40	B
DCL25W3S500G40	M3
PART NUMBER	Threaded A

European Views

www.fciconnect.com		surface ISO 1302 ✓	tolerance std ISO 406 ISO 1101	projection mm
TOLERANCES UNLESS OTHERWISE SPECIFIED				
Dr	JARRY	2003/10/30	ANGULAR	LINEAR
Eng	JARRY	2003/10/30	0.X	±0.1
Chr	LEGARE	2003/10/30	0.XX	±0.1
Appr	LEGARE	2003/10/30	0.XXX	±0.1
Product family			SUB	Spec ref -
		SOCKET CRS RIGHT ANGLED WITH POWERS CONTACTS		title catalog no
rev B - CJA 2003/10/30 C LS07-0250 MPE 2007/10/05		size A3		Scale 1.5
ECN LS07-0250		SUB		ECN LS07-0250
ECN LS07-0250		SUB		Spec ref -
rev B - CJA 2003/10/30 C LS07-0250 MPE 2007/10/05		title SOCKET CRS RIGHT ANGLED WITH POWERS CONTACTS		dwg no C01-8639-0596
ECN LS07-0250		SUB		Rev. C
ECN LS07-0250		SUB		sheet 1 of 1

Copyright FCj.

REV F - 2006-04-17