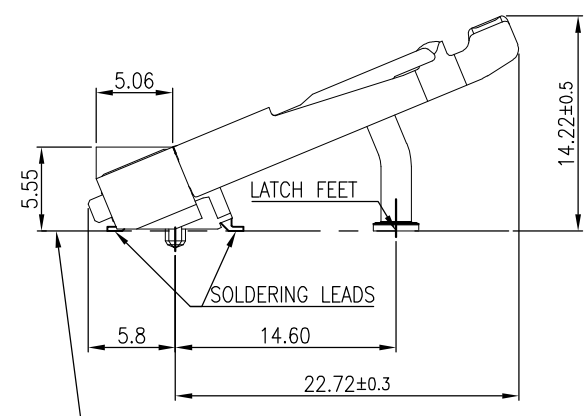
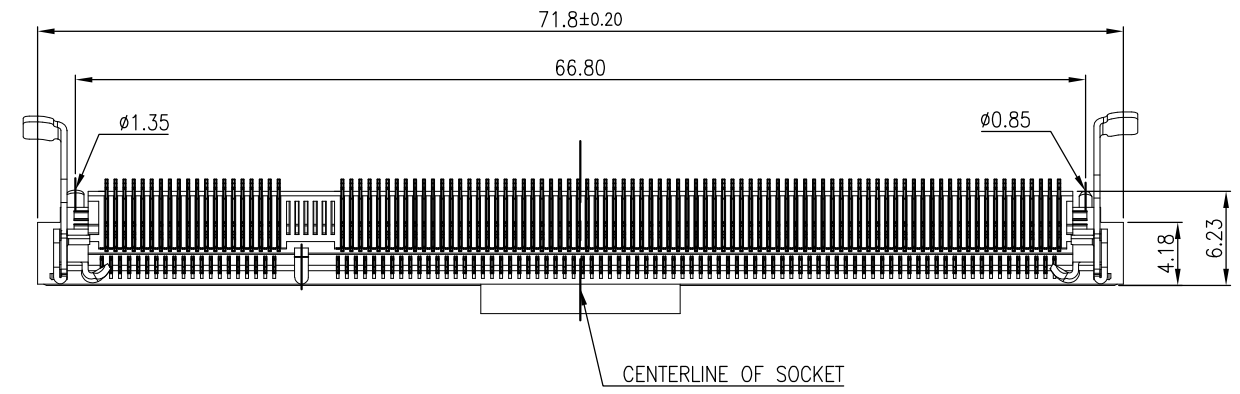
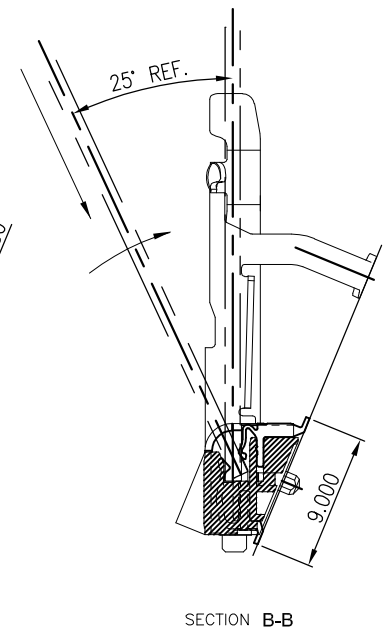
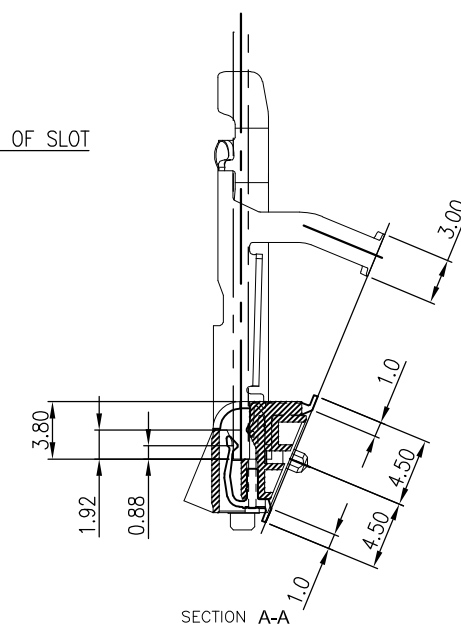
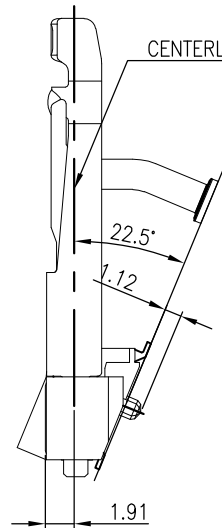
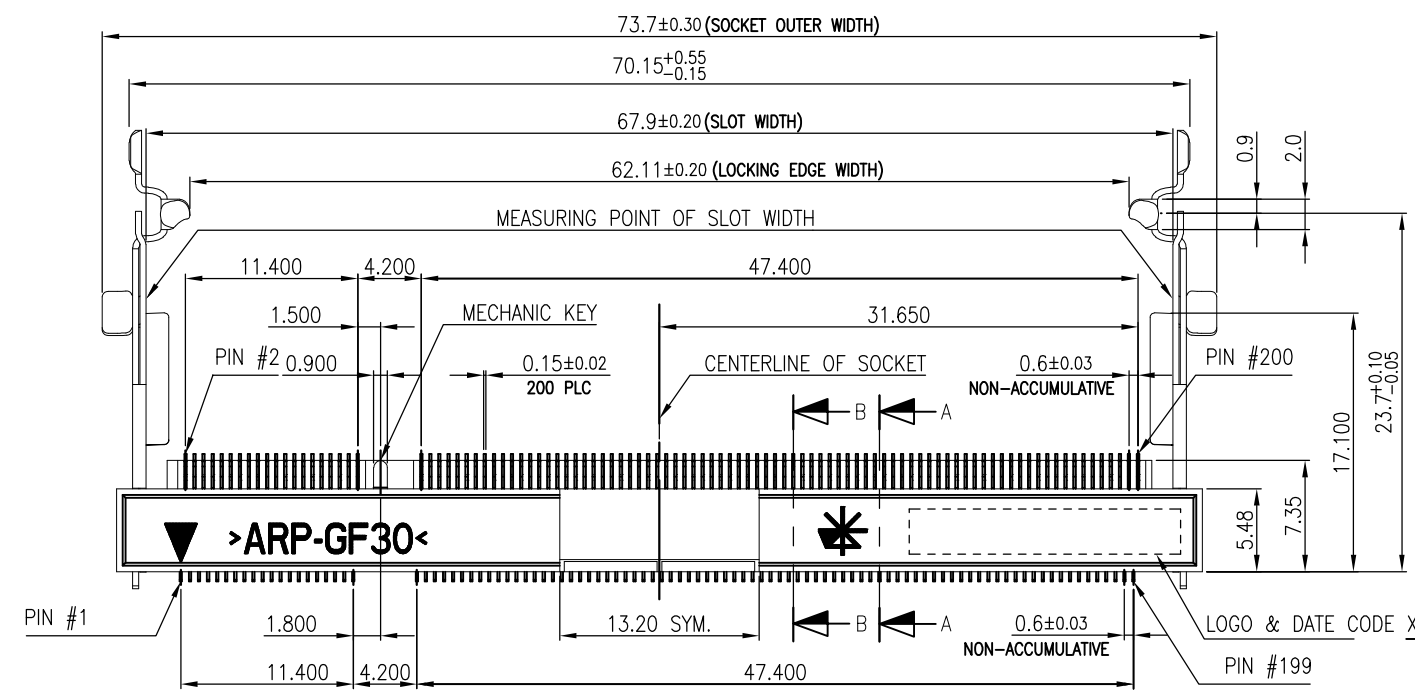


THIS DRAWING IS UNPUBLISHED. RELEASED FOR PUBLICATION
 © COPYRIGHT - By - ALL RIGHTS RESERVED.

LOC	DIST	REVISIONS					
		P	LTR	DESCRIPTION	DATE	DWN	APVD
DW	-		B2	REVISED PER ECO-11-005301	16APR11	RK	HMR



MOUNTING SURFACE OF P.C. BOARD
 ALL SOLDERING LEADS AND LATCH FEET
 MUST BE COPLANAR WITHIN 0.1 mm.



- NOTE:
- MATERIAL:
 HOUSING: LCP WITH 30% GF, UL 94V-0, COLOR: NATURE.
 CONTACTS: PHOSPHOR BRONZE.
 LATCH: STAINLESS.
 - FINISH:
 CONTACTS: GOLD PLATED (SEE TABLE) ON CONTACT AREA ,
 GOLD FLASH ON SOLDER TAILS, WITH ENTIRE
 CONTACT UNDERPLATED 1.27µm [50µ"] MIN. NICKEL.
 LATCH: 2.032µm[80µ"] ~ 4.064µm[160µ"] MATTE-TIN PLATED
 OVER 1.27µm [50µ"] MIN. NICKEL PLATED.
 - REFLOW SOLDER CAPABLE TO 260°C PER TE CONNECTIVITY TEST SPEC.
 109-201, CONDITION B.

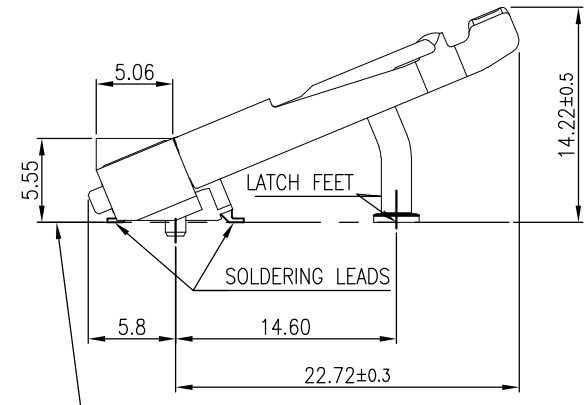
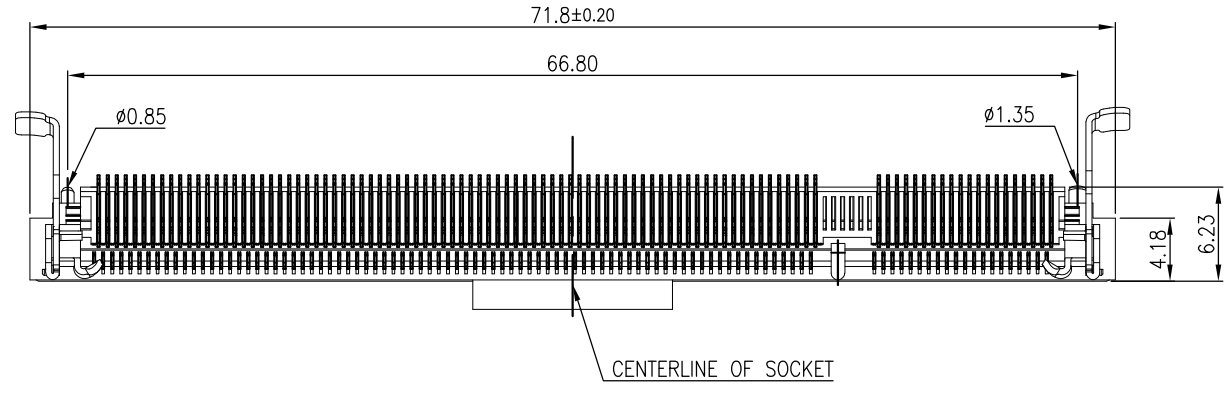
THIS DRAWING IS A CONTROLLED DOCUMENT.	
DIMENSIONS: mm	TOLERANCES UNLESS OTHERWISE SPECIFIED:
	0 PLC ± 0.5
	1 PLC ± 0.2
	2 PLC ± 0.1
	3 PLC ± 0.05
	4 PLC ± -
	ANGLES ± 3'
MATERIAL SEE NOTE	FINISH SEE NOTE

DWN	J. LAI	15JUN2009
CHK	S. CHIEN	15JUN2009
APVD	W. KODAMA	15JUN2009
PRODUCT SPEC	108-57503	
APPLICATION SPEC	-	
WEIGHT	4.43 GRAMS	

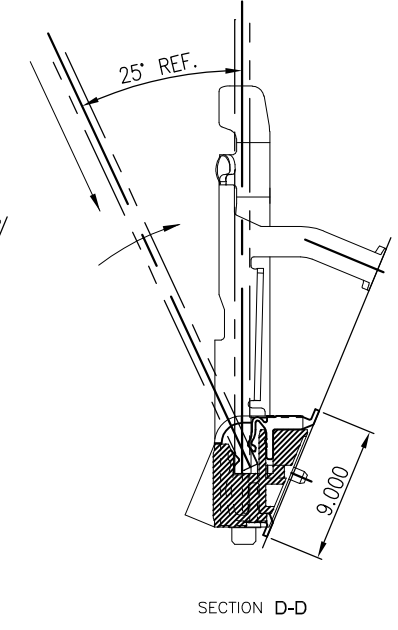
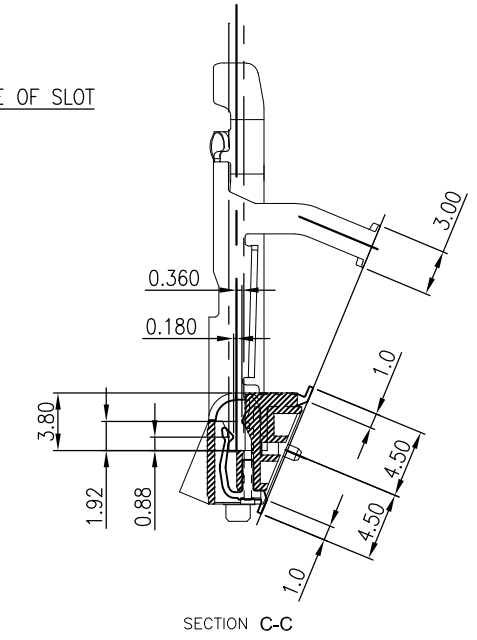
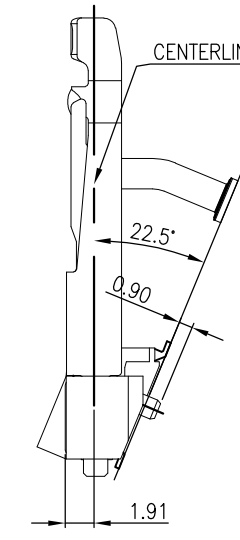
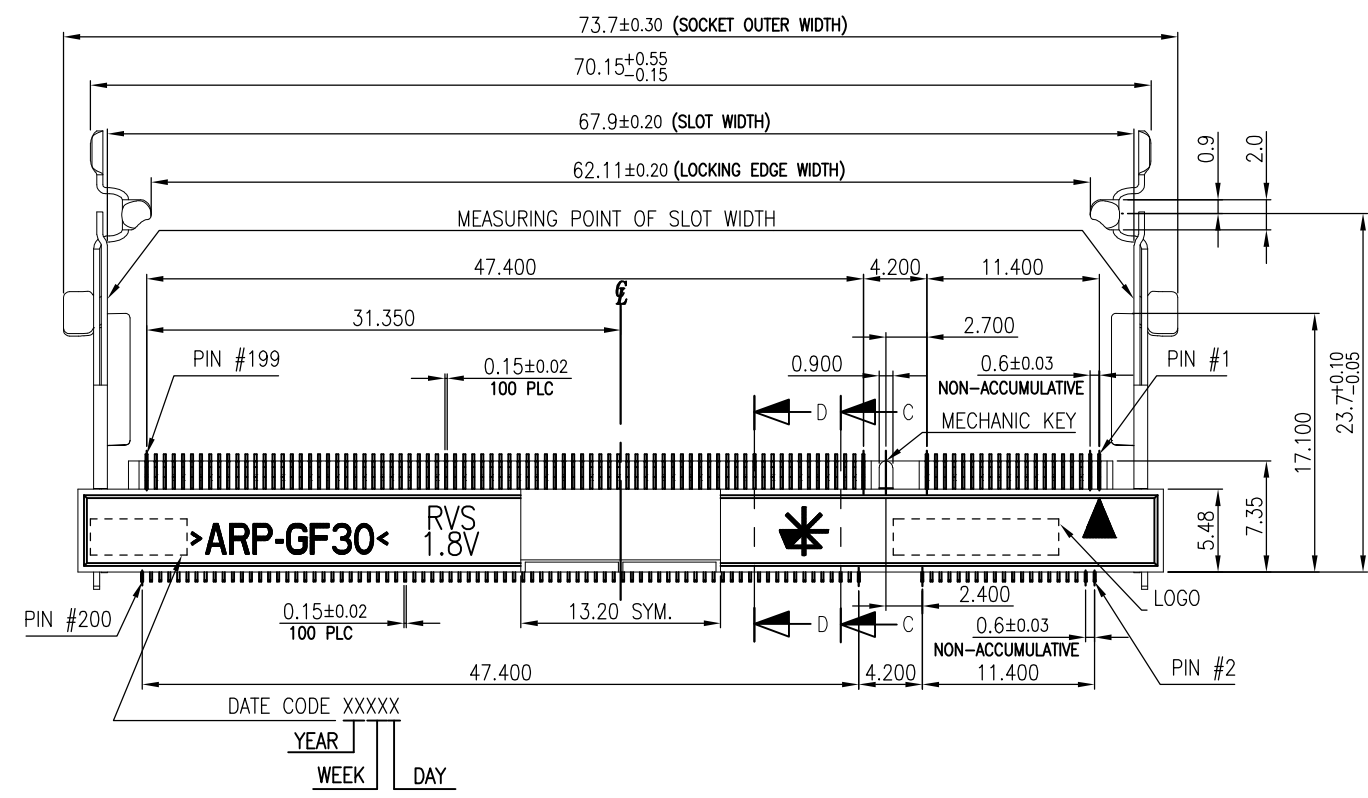
TRAY	2.5 V	0.762µm[30µ"] MIN.	1834017-2
TRAY		0.254µm[10µ"] MIN.	1834017-1
PACKING	VOLTAGE	GOLD PLATED	PART NUMBER
STE TE Connectivity			
ANGLED SO DIMM SOCKET ASSY, 0.6mm PITCH, 200 POSN, 22.5 DEGRESS TILT			
SIZE	CAGE CODE	DRAWING NO	RESTRICTED TO
A3	00779	C-1834017	-
CUSTOMER DRAWING		SCALE	SHEET 1 OF 7
			REV B2

THIS DRAWING IS UNPUBLISHED. RELEASED FOR PUBLICATION
 © COPYRIGHT - By - ALL RIGHTS RESERVED.

LOC	DIST	REVISIONS					
		P	LTR	DESCRIPTION	DATE	DWN	APVD
DW	-	-	-	SEE SHEET 1	-	-	-



MOUNTING SURFACE OF P.C. BOARD
 ALL SOLDERING LEADS AND LATCH FEET
 MUST BE COPLANAR WITHIN \square 0.1 mm.



T/R	REVERSE	1.8 V	0.762μm[30μ"] MIN.	1-1834017-2
TRAY			0.254μm[10μ"] MIN.	1-1834017-1
PACKING	PART VERSION	VOLTAGE	GOLD PLATED	PART NUMBER

NOTE:
 1. MATERIAL:
 HOUSING: LCP WITH 30% GF, UL 94V-0, COLOR: NATURE.
 CONTACTS: PHOSPHOR BRONZE.
 LATCH: STAINLESS.
 2. FINISH:
 CONTACTS: GOLD PLATED (SEE TABLE) ON CONTACT AREA ,
 GOLD FLASH ON SOLDER TAILS, WITH ENTIRE
 CONTACT UNDERPLATED 1.27μm [50μ"] MIN. NICKEL.
 LATCH: 2.032μm[80μ"] ~ 4.064μm[160μ"] MATTE-TIN PLATED
 OVER 1.27μm [50μ"] MIN. NICKEL PLATED.
 3. REFLOW SOLDER CAPABLE TO 260°C PER TE CONNECTIVITY TEST SPEC.
 109-201, CONDITION B.

THIS DRAWING IS A CONTROLLED DOCUMENT.		DWN	-
DIMENSIONS: mm		CHK	-
TOLERANCES UNLESS OTHERWISE SPECIFIED:		APVD	-
0 PLC ± 0.5		PRODUCT SPEC	
1 PLC ± 0.2		108-57503	
2 PLC ± 0.1		APPLICATION SPEC	
3 PLC ± 0.05		501-57577	
4 PLC ± -		WEIGHT 4.43 GRAMS	
ANGLES ± 3'		CUSTOMER DRAWING	
MATERIAL		FINISH	

STE TE Connectivity

NAME

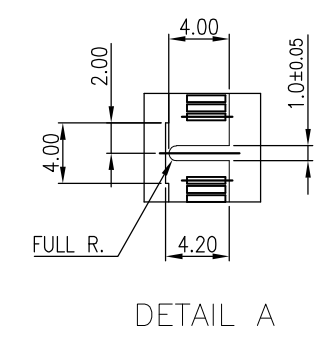
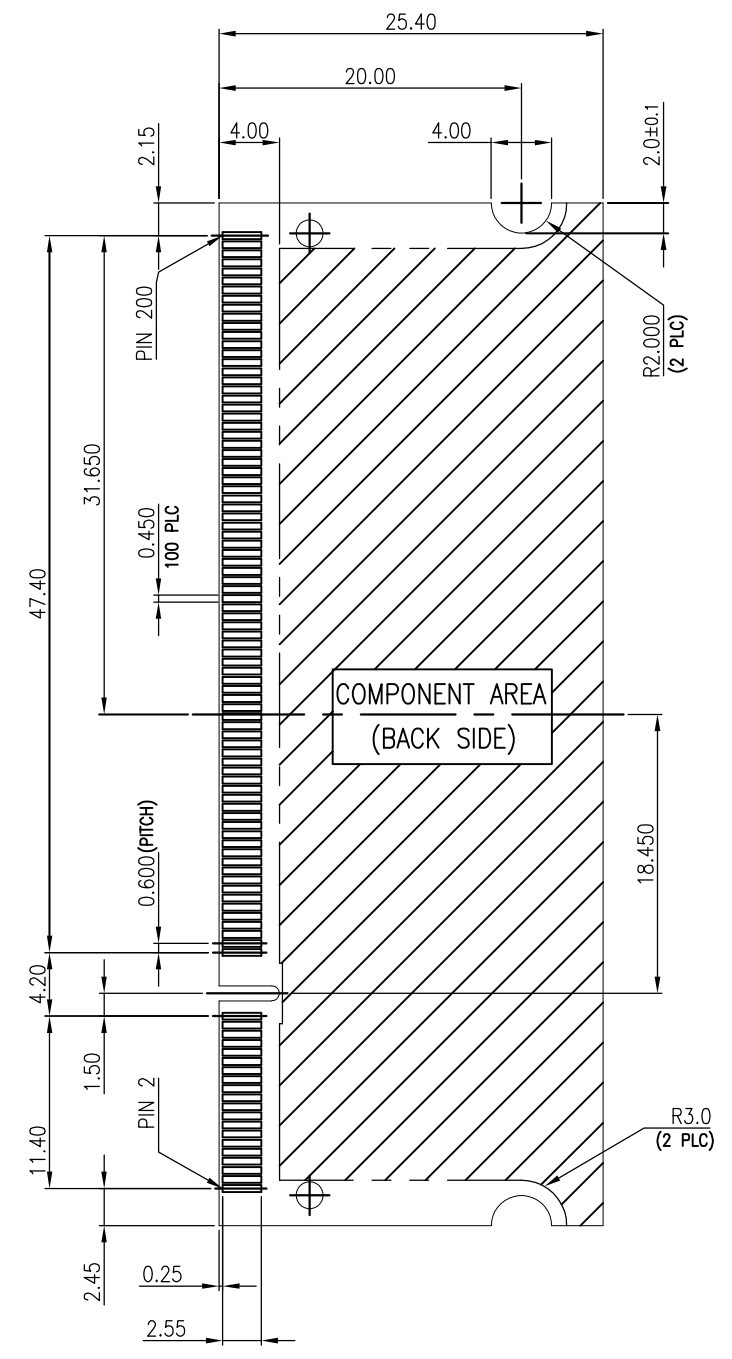
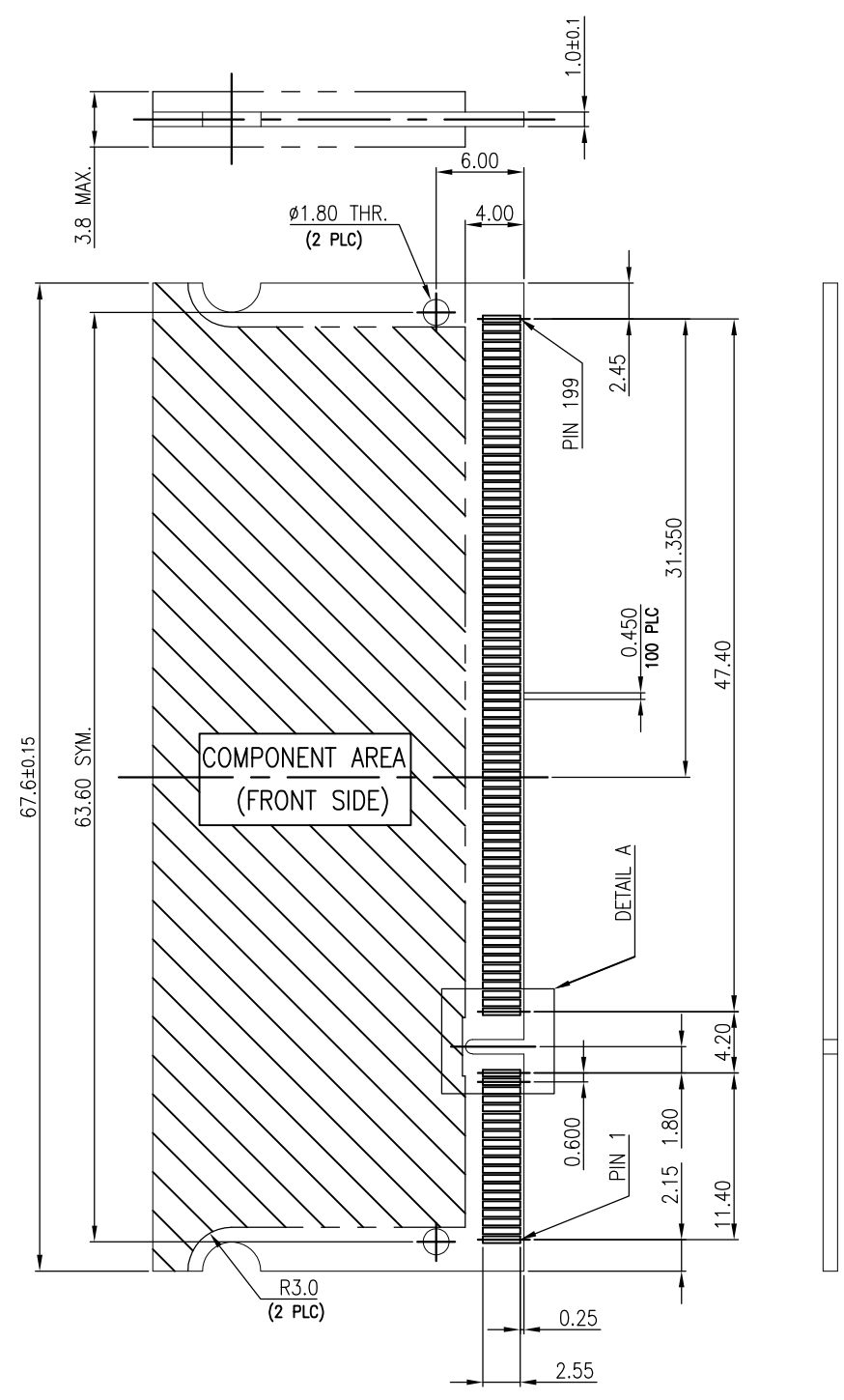
ANGLED SO DIMM SOCKET ASSY, 0.6mm PITCH,
200 POSN, 22.5 DEGRESS TILT

SIZE	CAGE CODE	DRAWING NO	RESTRICTED TO
A3	00779	C-1834017	-

SCALE - SHEET 2 OF 7 REV B2

THIS DRAWING IS UNPUBLISHED. RELEASED FOR PUBLICATION
 © COPYRIGHT - By - ALL RIGHTS RESERVED.

LOC	DIST	REVISIONS			
P	LTR	DESCRIPTION	DATE	DWN	APVD
DW	-	SEE SHEET 1	-	-	-



RECOMMENDED DAUGHTER BOARD FOR 2.5V STD. TYPE

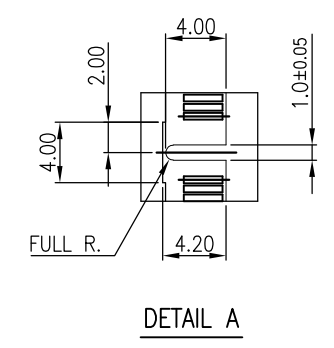
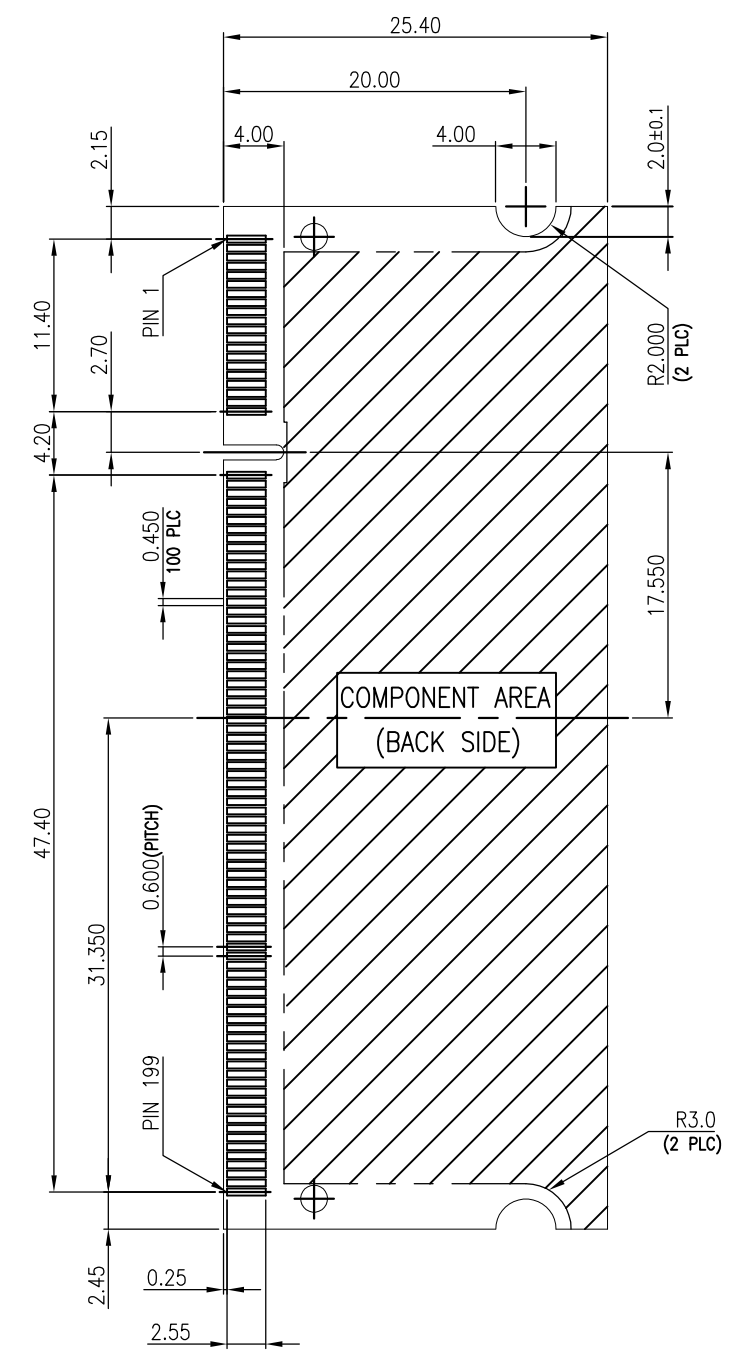
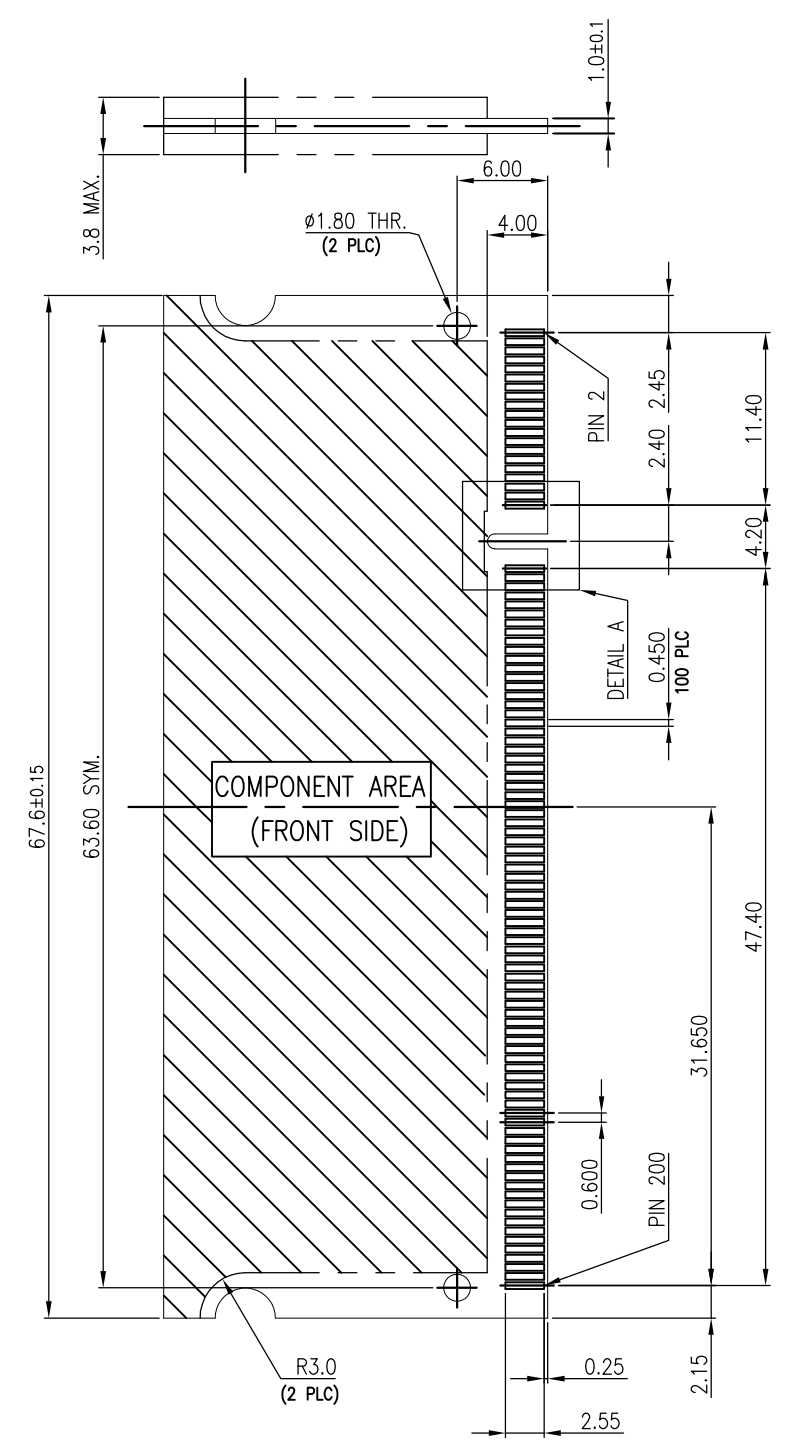
2.5 V
VOLTAGE

THIS DRAWING IS A CONTROLLED DOCUMENT.		DWN	-		
DIMENSIONS: mm		CHK	-		
TOLERANCES UNLESS OTHERWISE SPECIFIED:		APVD	-		
0 PLC ± -		PRODUCT SPEC	-		
1 PLC ± -		APPLICATION SPEC	-		
2 PLC ± -		WEIGHT	-		
3 PLC ± -		NAME			
4 PLC ± -		ANGLED SO DIMM SOCKET ASSY, 0.6mm PITCH, 200 POSN, 22.5 DEGRESS TILT			
ANGLES ± -		SIZE	CAGE CODE	DRAWING NO	RESTRICTED TO
FINISH		A300779		C-1834017	-
MATERIAL		CUSTOMER DRAWING		SCALE	SHEET
				-	3 OF 7
				REV	B2



THIS DRAWING IS UNPUBLISHED. RELEASED FOR PUBLICATION
 © COPYRIGHT - By - ALL RIGHTS RESERVED.

LOC	DIST	REVISIONS			
P	LTR	DESCRIPTION	DATE	DWN	APVD
DW	-	SEE SHEET 1	-	-	-



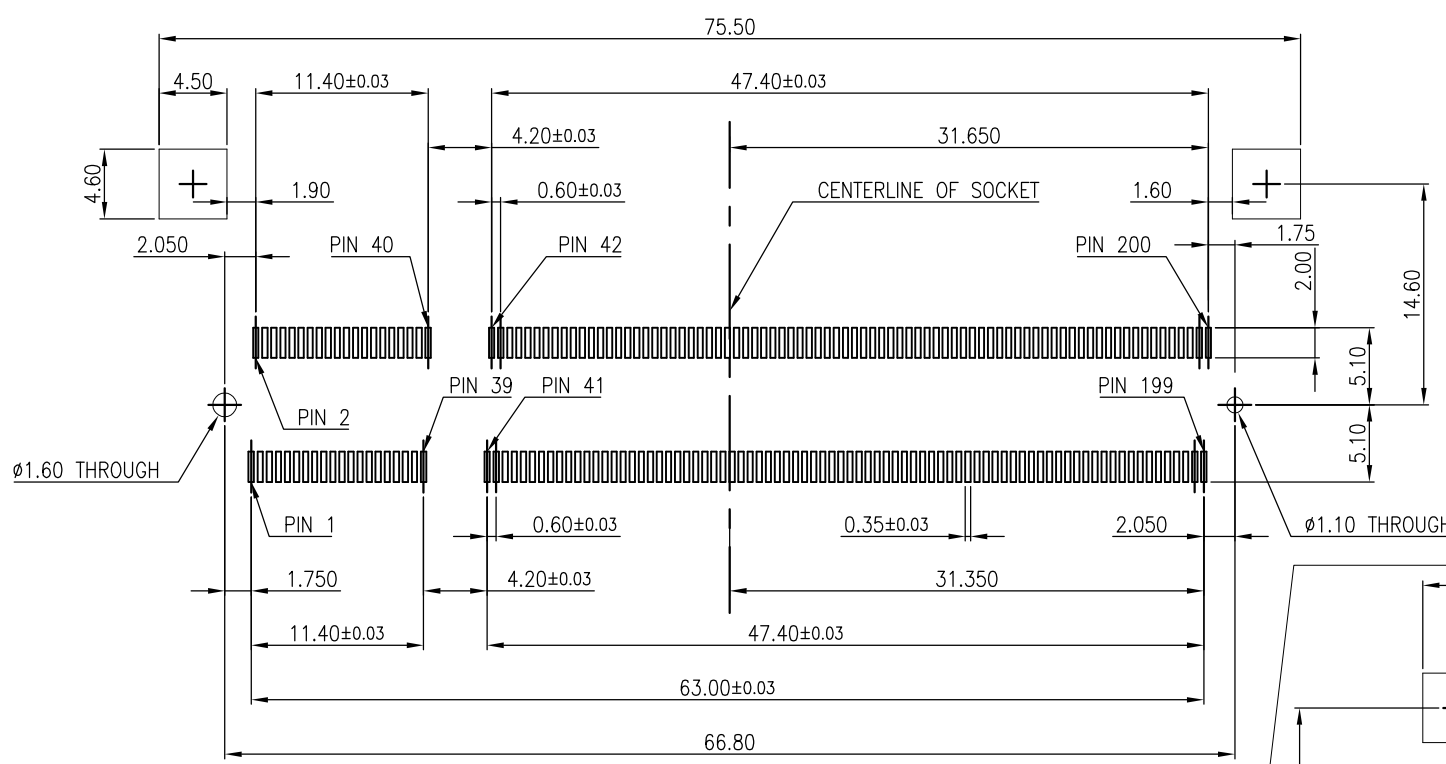
RECOMMENDED DAUGHTER BOARD FOR 1.8V RVS. TYPE

1.8 V
VOLTAGE

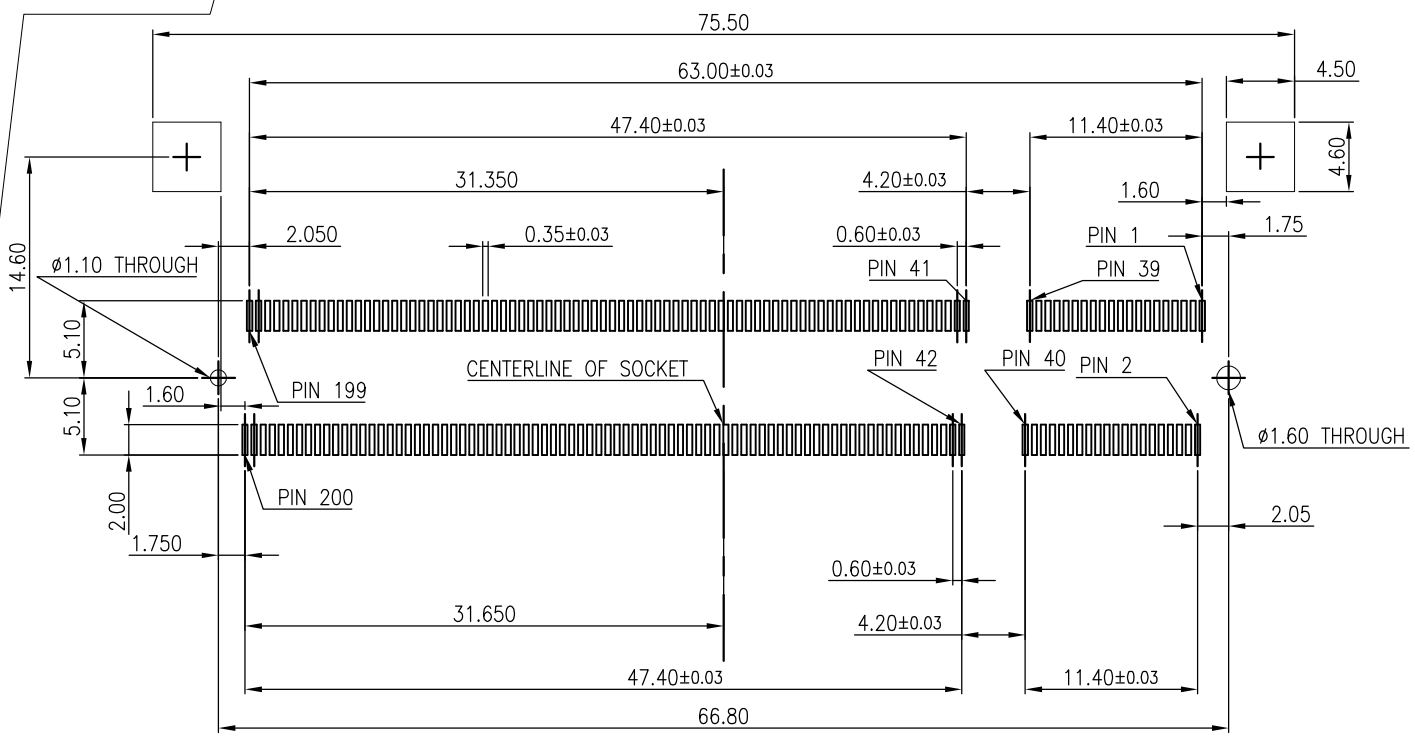
THIS DRAWING IS A CONTROLLED DOCUMENT.		DWN	-	TE Connectivity NAME ANGLED SO DIMM SOCKET ASSY, 0.6mm PITCH, 200 POSN, 22.5 DEGRESS TILT	
DIMENSIONS: mm		CHK	-		
TOLERANCES UNLESS OTHERWISE SPECIFIED:		APVD	-		
0 PLC ± - 1 PLC ± - 2 PLC ± - 3 PLC ± - 4 PLC ± - ANGLES ± - FINISH ± -		PRODUCT SPEC	-		
MATERIAL		APPLICATION SPEC	-	SIZE	A3
		WEIGHT	-	CAGE CODE	00779
		CUSTOMER DRAWING		DRAWING NO	C-1834017
		SCALE	-	RESTRICTED TO	-
		SHEET	4 OF 7	REV	B2

THIS DRAWING IS UNPUBLISHED. RELEASED FOR PUBLICATION
 © COPYRIGHT - By - ALL RIGHTS RESERVED.

LOC	DIST	REVISIONS					
DW	-	P	LTR	DESCRIPTION	DATE	DWN	APVD
		-		SEE SHEET 1	-	-	-



RECOMMENDED PCB LAYOUT
 TOLERANCE: ± 0.05
 FOR 2.5V



RECOMMENDED PCB LAYOUT
 TOLERANCE: ± 0.05
 FOR 1.8V OF REVERSE

THIS DRAWING IS A CONTROLLED DOCUMENT.		DWN	-	STE TE Connectivity			
DIMENSIONS: mm		CHK	-				
TOLERANCES UNLESS OTHERWISE SPECIFIED:		APVD	-	NAME			
0 PLC $\pm -$		PRODUCT SPEC	-	ANGLED SO DIMM SOCKET ASSY, 0.6mm PITCH, 200 POSN, 22.5 DEGRESS TILT			
1 PLC $\pm -$		APPLICATION SPEC	-	SIZE	CAGE CODE	DRAWING NO	RESTRICTED TO
2 PLC $\pm -$		WEIGHT	-	A3	00779	C-1834017	-
3 PLC $\pm -$		CUSTOMER DRAWING		SCALE	-	SHEET	5 OF 7
4 PLC $\pm -$							REV B2
ANGLES $\pm -$							
FINISH							

THIS DRAWING IS UNPUBLISHED.

RELEASED FOR PUBLICATION

LOC

DIST

REVISIONS

© COPYRIGHT - By -

ALL RIGHTS RESERVED.

DW

P

LTR

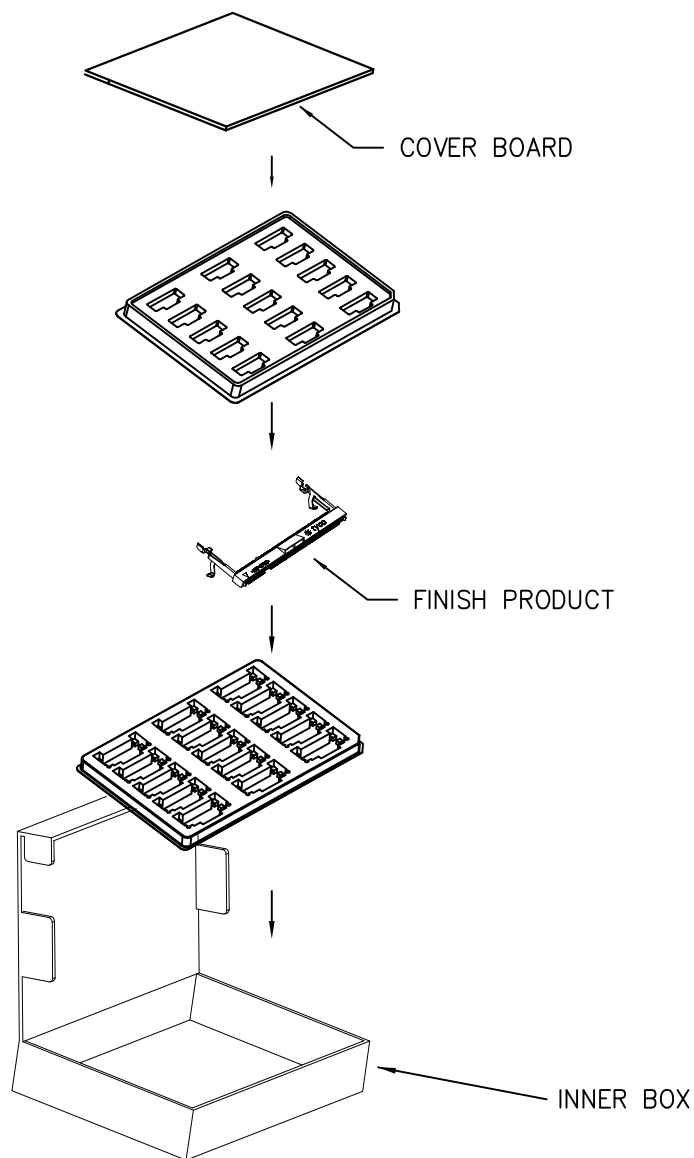
DESCRIPTION

DATE

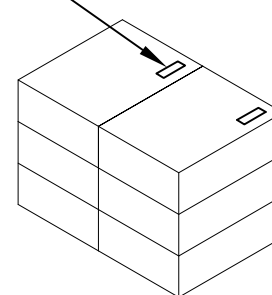
DWN

APVD

SEE SHEET 1

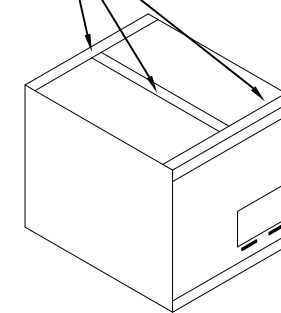
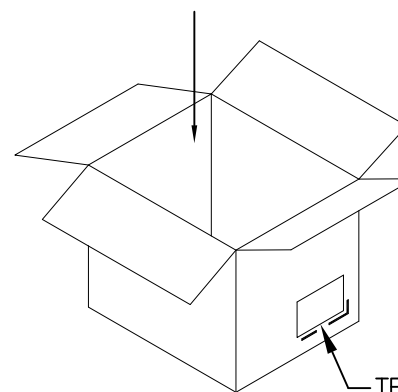


TE CONNECTIVITY LABEL



2 ROWS X 3 INNER BOXES
= 6 INNER BOXES

TRANSPARENT TAPE



(1) DIMENSION
 SEMI-HARD TRAY: 330x215x17.5 mm
 INNER BOX: 35.5x23x6.5 cm
 SHIPPING CARTON: 48x37x23 cm

(3) PACKAGING
 15 PCS PER TRAY,
 3 TRAYS PER INNER BOX,
 6 BOXES PER SHIPPING CARTON.
 QUANTITY: 270 PCS

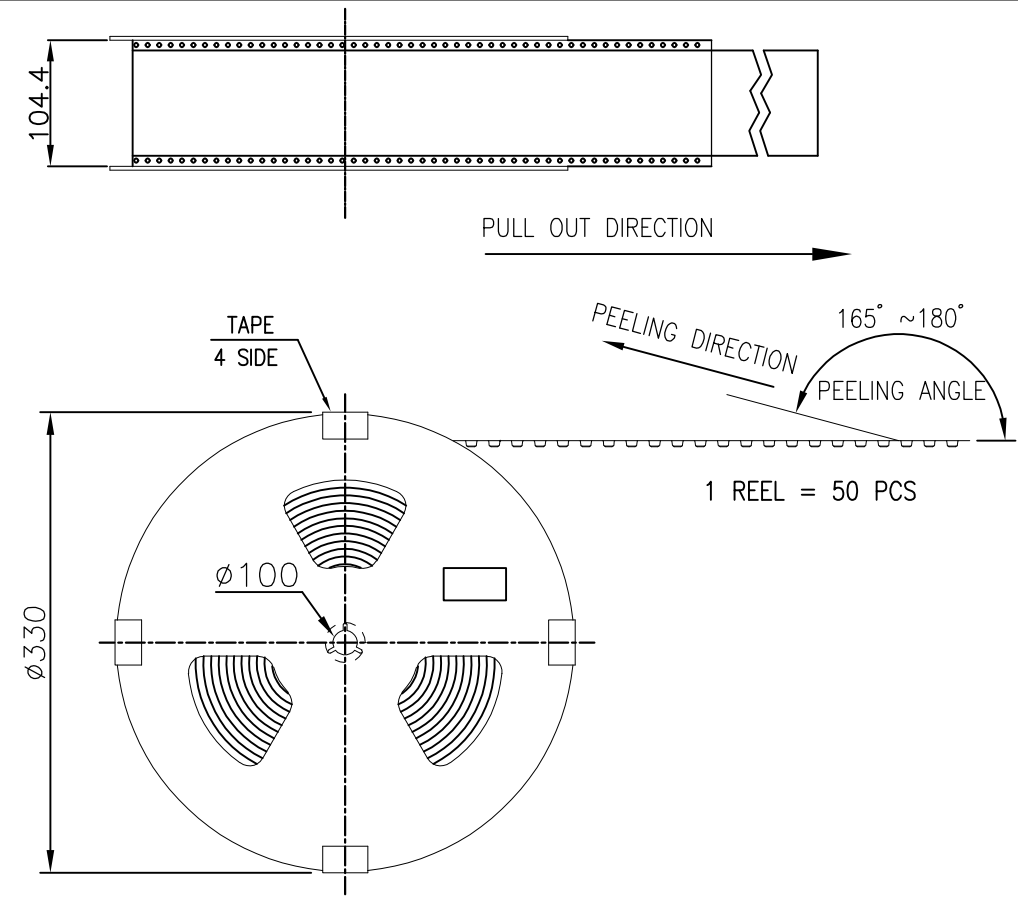
(2) MATERIAL
 SEMI-HARD TRAY: P.S.
 INNER BOX: CORRUGATED FIBER
 SHIPPING CARTON: CORRUGATED FIBER

(4) WEIGHT
 N.W.: 1.196 KGs
 G.W.: 4.5 KGs

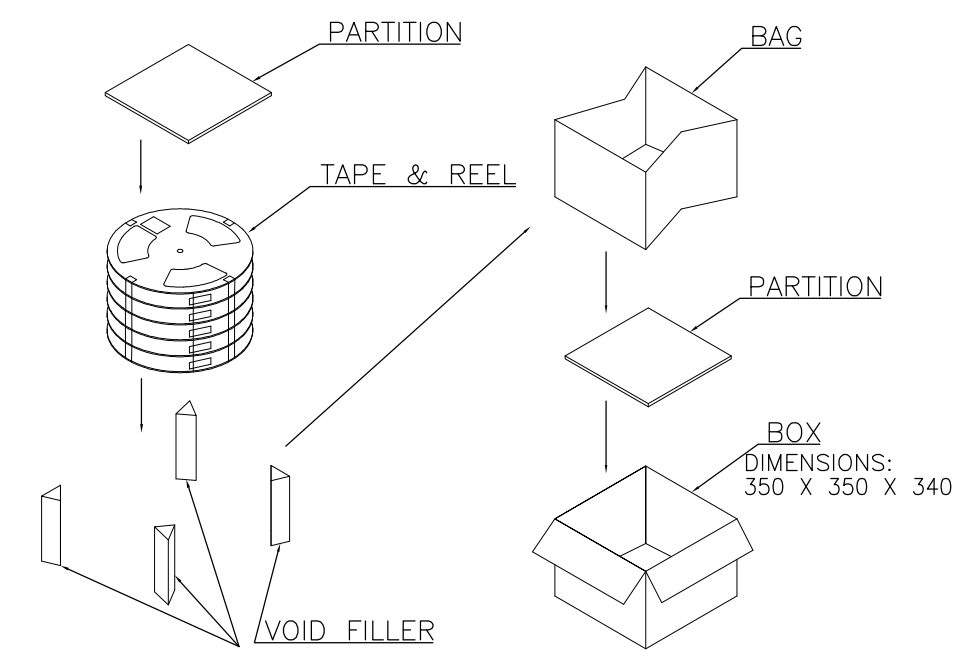
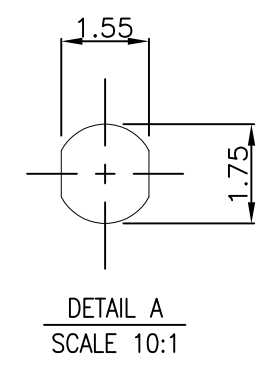
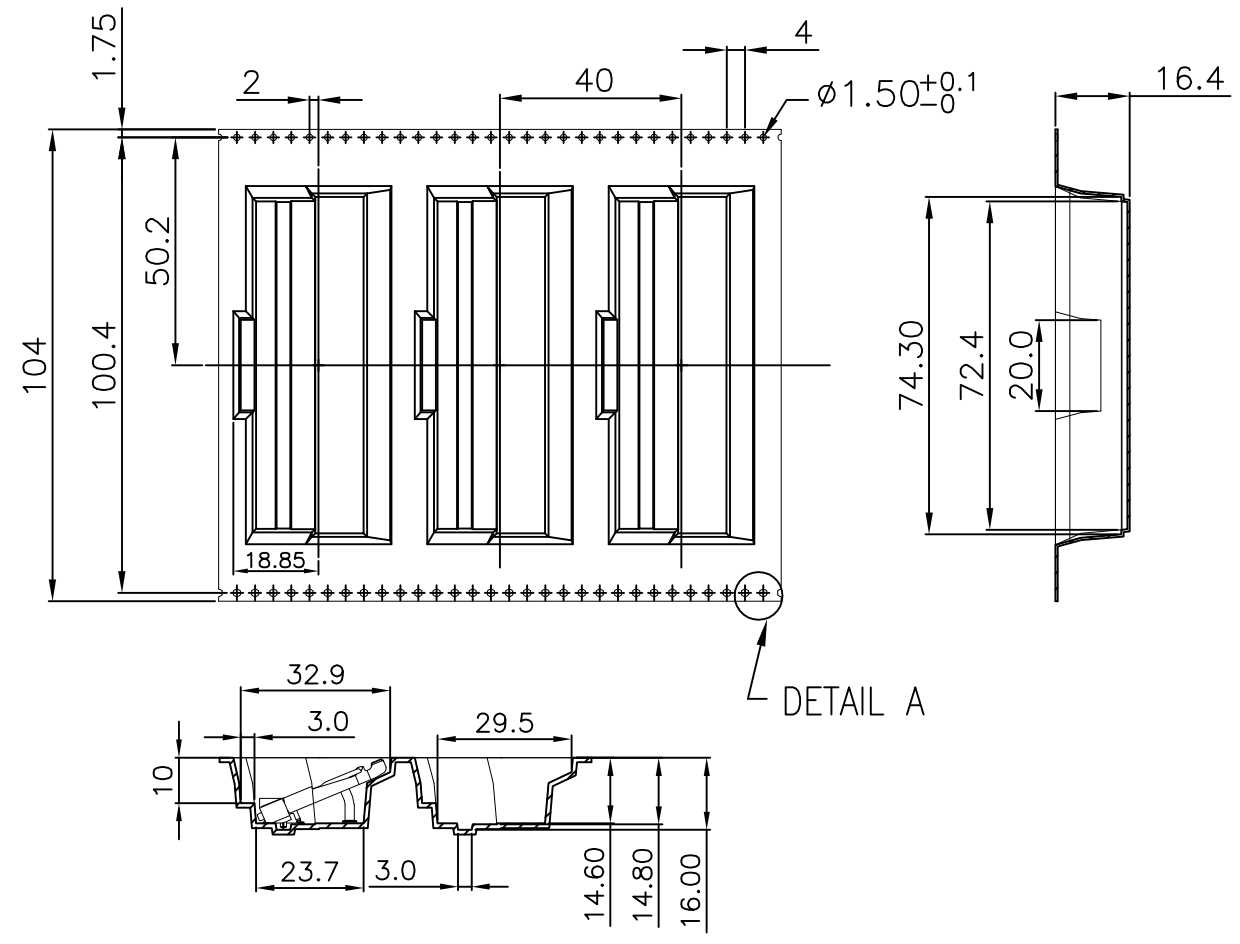
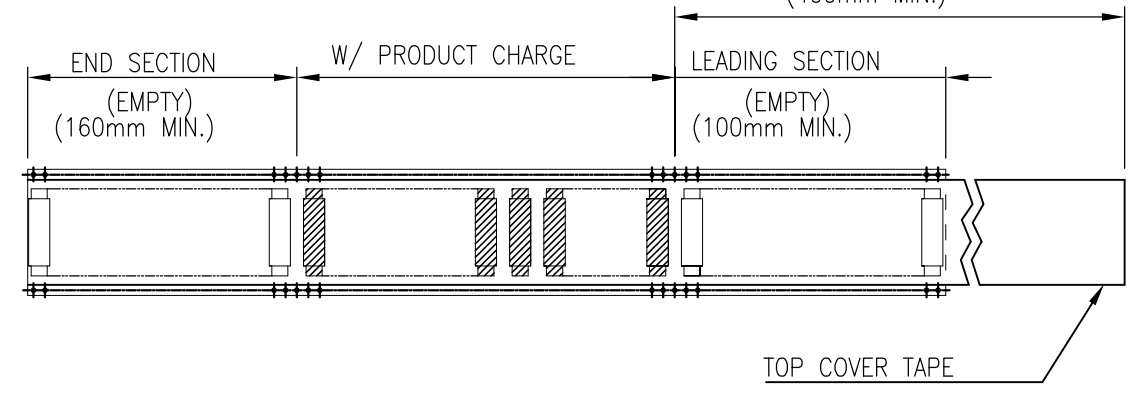
THIS DRAWING IS A CONTROLLED DOCUMENT.		DWN	TE Connectivity NAME ANGLD SO DIMM SOCKET ASSY, 0.6mm PITCH, 200 POSN, 22.5 DEGRESS TILT				
DIMENSIONS: mm		CHK					
TOLERANCES UNLESS OTHERWISE SPECIFIED:		APVD					
0 PLC ± - 1 PLC ± - 2 PLC ± - 3 PLC ± - 4 PLC ± - ANGLES ± -		PRODUCT SPEC					
MATERIAL		FINISH	APPLICATION SPEC	SIZE	CAGE CODE	DRAWING NO	RESTRICTED TO
			WEIGHT	A3 00779		C=1834017	
CUSTOMER DRAWING			SCALE	SHEET	6 OF 7		REV B2

THIS DRAWING IS UNPUBLISHED. RELEASED FOR PUBLICATION
 © COPYRIGHT - By - ALL RIGHTS RESERVED.

LOC	DIST	REVISIONS			
P	LTR	DESCRIPTION	DATE	DWN	APVD
DW	-	SEE SHEET 1	-	-	-



- NOTE:
- MATERIAL:
 - EMBOSSSED CARRIER: PS
 - COVER TAPE: PET
 - QUANTITY:
 - PRIMARY: 80 PCS/REEL
 - SECONDARY PACKING: 3 REELS/BOX (240 PCS)
 - WEIGHT:
 - NET WEIGHT: 1.08 KG/BOX
 - GROSS WEIGHT: 3.9 KG/BOX
 - PELLING RESISTANCE: 39g~97g.
 - PELLING SPEED: 300mm/minutes (400mm MIN.)



THIS DRAWING IS A CONTROLLED DOCUMENT.		DWN	-	STE TE Connectivity	
DIMENSIONS: mm		CHK	-		
TOLERANCES UNLESS OTHERWISE SPECIFIED:		APVD	-	NAME	
0 PLC	± -	PRODUCT SPEC	-	-	
1 PLC	± -	APPLICATION SPEC	-	ANGLED SO DIMM SOCKET ASSY, 0.6mm PITCH, 200 POSN, 22.5 DEGRESS TILT	
2 PLC	± -	WEIGHT	-	SIZE	CAGE CODE
3 PLC	± -	CUSTOMER DRAWING	-	A3	00779
4 PLC	± -	SCALE	-	DRAWING NO	C-1834017
ANGLES	± -	SHEET	7 OF 7	RESTRICTED TO	-
FINISH	-	REV	B2		