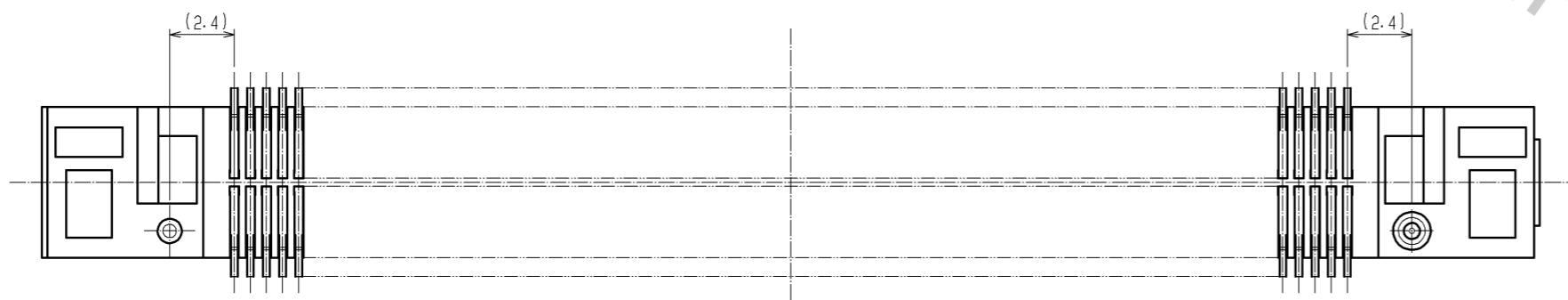
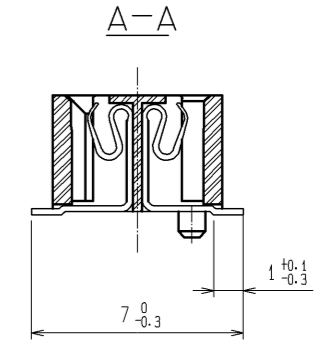
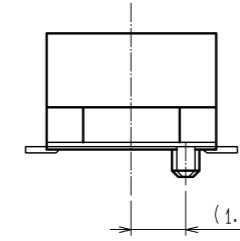
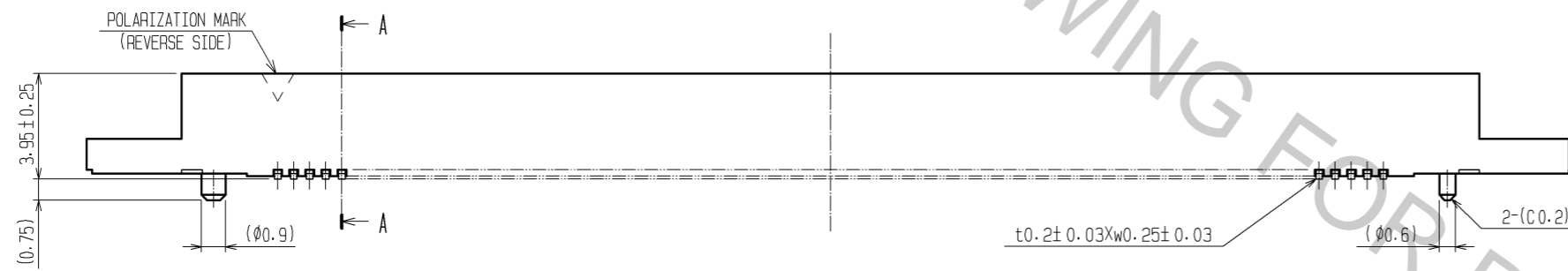
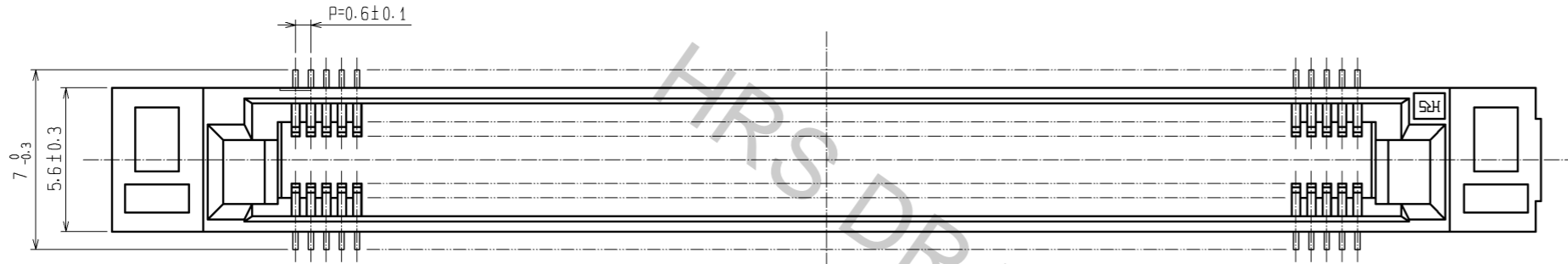


DETAIL AFTER REMOVING JOINT(4:1)



NOTE THE DIMENSIONS IN PARENTHESES ARE FOR REFERENCE.

HRS	DRAWING NO.	EDC3-150965-25
	PART NO.	FX8C-140/140S11-SVJ(C71)
	CODE NO.	CL578-0907-3-71
		\triangle 2/2

Apr.1.2017 Copyright 2017 HIROSE ELECTRIC CO., LTD. All Rights Reserved.