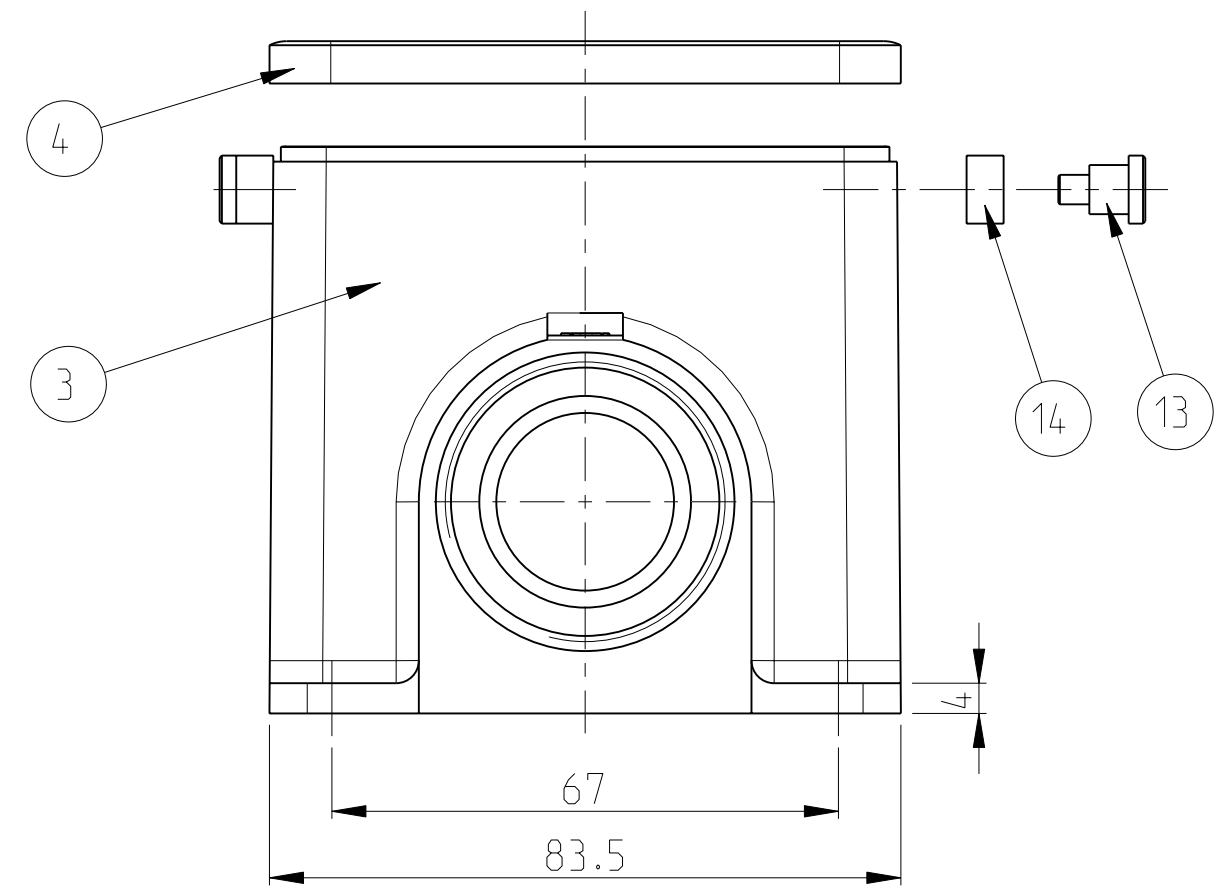
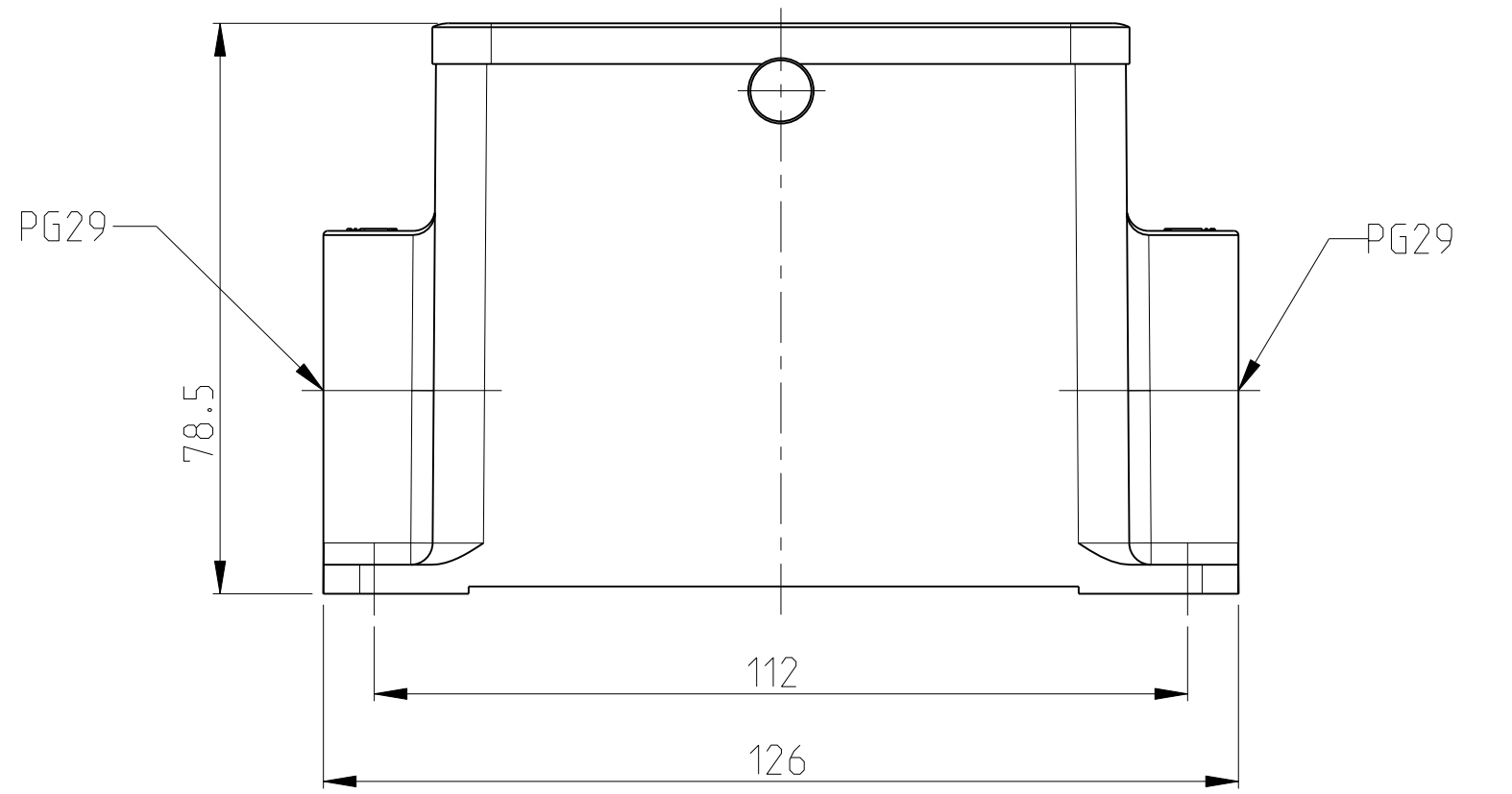
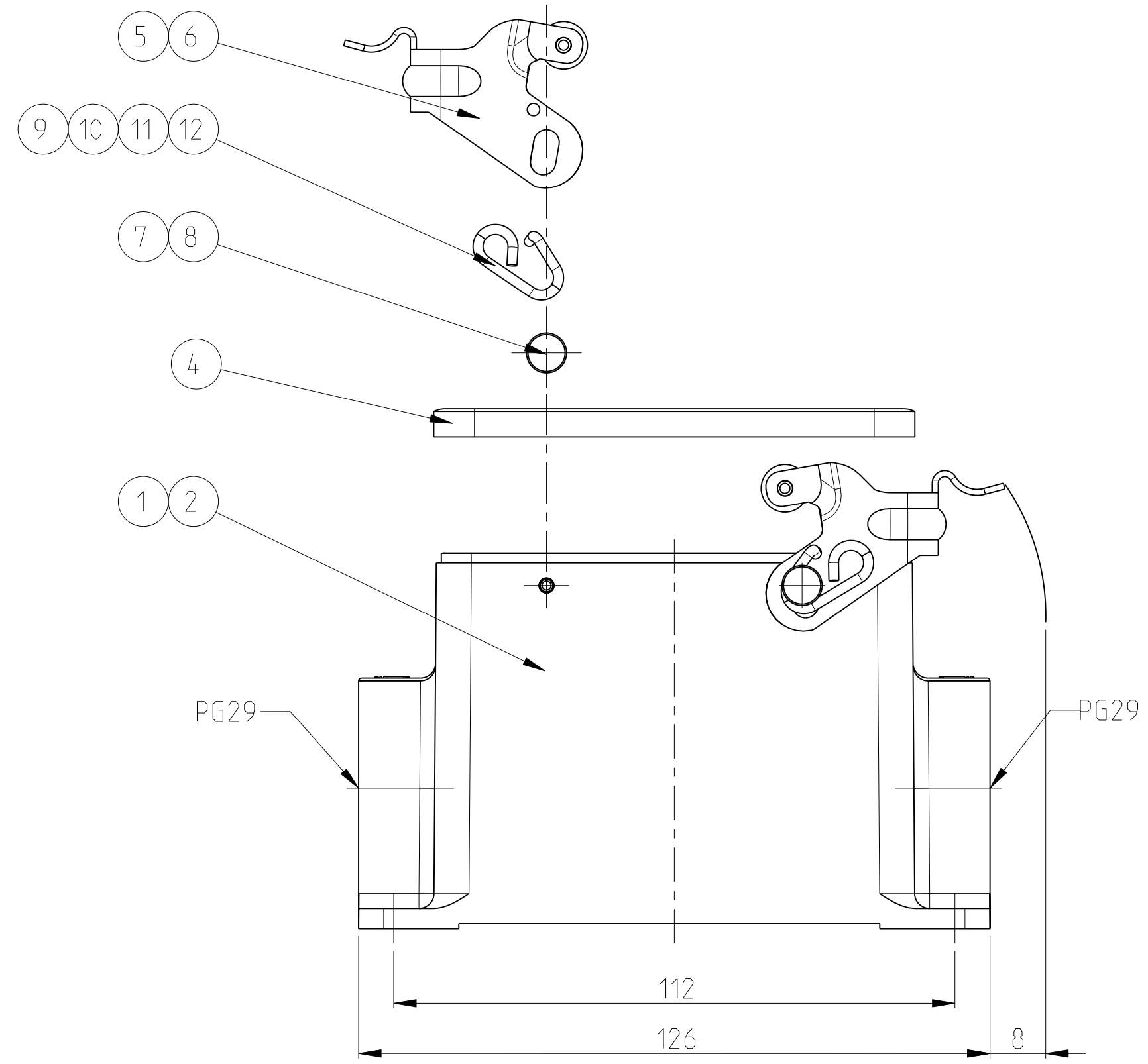


THIS DRAWING IS UNPUBLISHED. RELEASED FOR PUBLICATION 2006  
 © COPYRIGHT 2006 BY TYCO ELECTRONICS CORPORATION. ALL RIGHTS RESERVED.

LOC		DIST		REVISIONS				
P	LTR	DESCRIPTION	DATE	DWN	APVD			
A2		new pro/E drawing ECR-09-007725	01APR2009	SR	AR			



- NOTES
- PART SHALL BE FREE AND CLEAN OF BURRS AND OTHER FOREIGN MATERIAL
  - PACKAGING: QUANTITY 3 PIECES
  - VARNISHING INSIDE HOUSING NOT REQUIRED



QTY	DESCRIPTION	MATERIAL	SURFACE	COLORE	ITEM	NOTES
2	SLIDE SPOOL	STEEL	ZINC PLATED	BLUE	14	
2	CLIP BOLT	STEEL	ZINC PLATED	BLUE	13	
2	CLIP SPRING RIGHT	STAINLESS STEEL	BLANC		12	
2	CLIP SPRING RIGHT	STEEL	ZINC PLATED	BLUE	11	
2	CLIP SPRING LEFT	STAINLESS STEEL	BLANC		10	
2	CLIP SPRING LEFT	STEEL	ZINC PLATED	BLUE	9	
4	CLIP POSITIONER	STAINLESS STEEL	BLANC		8	
4	CLIP POSITIONER	STEEL	ZINC PLATED	BLUE	7	
2	LOCKING CLIP	STAINLESS STEEL	BLANC		6	
2	LOCKING CLIP	STEEL	ZINC PLATED	BLUE	5	
1	PROFIL SEAL	NEOPRENE		BLACK	4	
1	SURFACE MOUNTED HOUSING SIDE ENTRY	ALUMINIUM		GREY	3	
1	SURFACE MOUNTED HOUSING SIDE ENTRY	ALUMINIUM	ALUMINIUMOXID	BLACK	2	
1	SURFACE MOUNTED HOUSING SIDE ENTRY	ALUMINIUM		GREY	1	

HB.32.SG-VS.2.29.Z  
 HB-K.32.SG-VS.2.29.Z  
 HB-Z.32.SG-ZVGR.2.29.Z

<small>THIS DRAWING IS A CONTROLLED DOCUMENT FOR TYCO ELECTRONICS CORPORATION IT IS SUBJECT TO CHANGE AND THE CONTROLLING ENGINEERING ORGANIZATION SHOULD BE CONTACTED FOR THE LATEST REVISION.</small>		DWN R.SCHNEIDER 01APR2009 CHK T.SCHNURPFEL 01APR2009 APVD -	Tyco Electronics tyco Electronics AMP GmbH 53757 Sankt Augustin (Germany)
DIMENSIONS: mm 	TOLERANCES UNLESS OTHERWISE SPECIFIED: 0 PLC ±- 1 PLC ±- 2 PLC ±- 3 PLC ±- 4 PLC ±- ANGLES ±1° FINISH	PRODUCT SPEC - APPLICATION SPEC - WEIGHT -	NAME SURFACE MOUNTED HOUSING SIDE ENTRY HB.32.SG.2.29.Z SIZE A2 CAGE CODE 00779 DRAWING NO G-1102356 RESTRICTED TO - SCALE 1:1 SHEET 1 OF 1 REV A2

CUSTOMER DRAWING