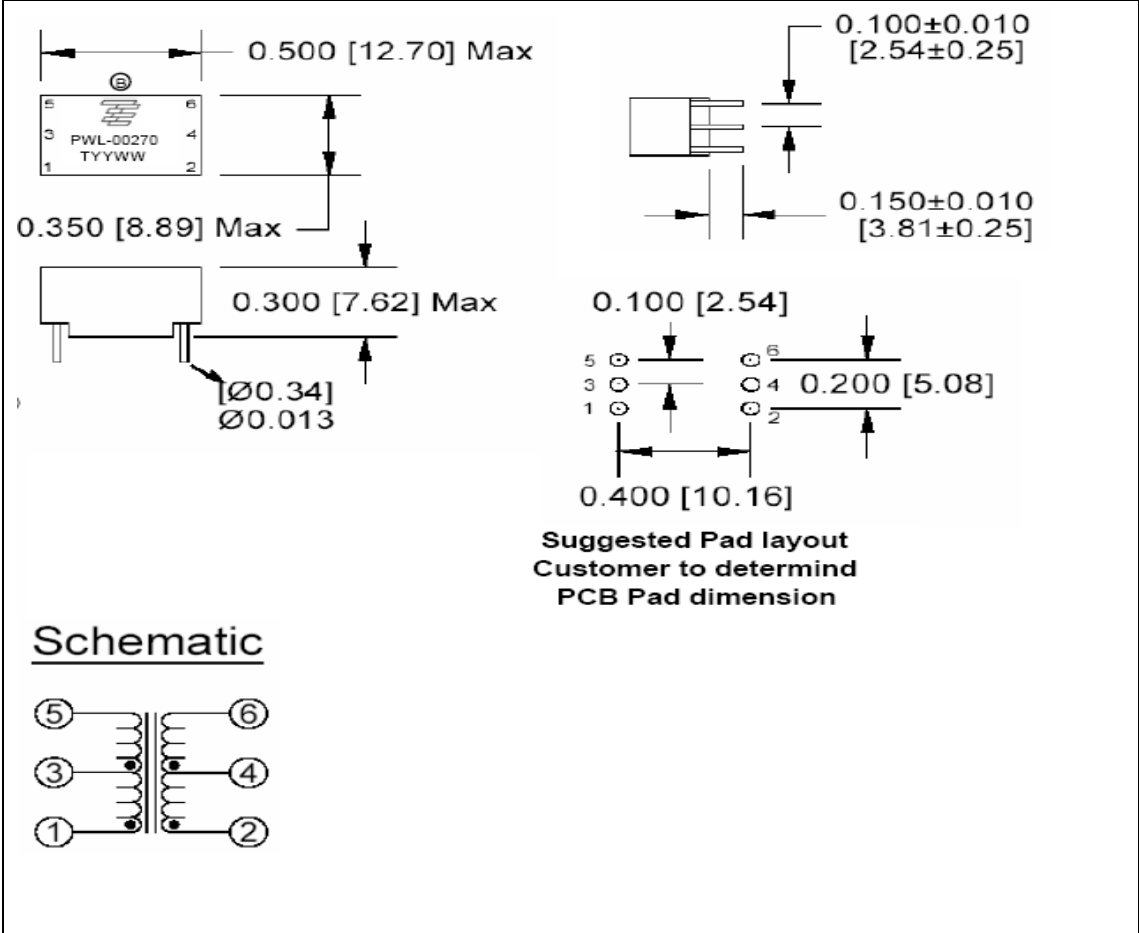


MGPWL-00270-P	REV	
1879406-1	BA	

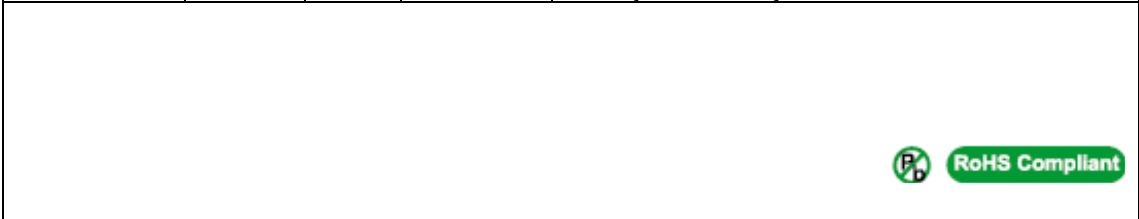
Product	400uH Pulse Transformer
Description	RoHS Version TTI7196-R



All dimensions are in inches [millimetres]. All dimensions are ± 0.005 [0.127] unless otherwise noted.

Electrical Specifications at +25°C unless noted otherwise

Test	Limits	Unit	Tol	Notes
Inductance	400	μ H	$\pm 30\%$	1-5, @ 100kHz, 0.1V, Ls.
Leakage Inductance	0.30	μ H	Max	Pins 1-5 with 2, 4 & 6 shorted
DC Resistance	0.125	Ω	Max.	Pins 1-5
DC Resistance	0.170	Ω	Max.	Pins 2 - 6
Turns Ratio	1.0 : 2.0	--	$\pm 2\%$	(1-5) : (2-6)
Hi Pot	4,000	VAC	-	Primary to Secondary



The information contained in this drawing is the sole property of Tyco Electronics. Any reproduction or use without the written permission of Tyco Electronics is prohibited.

Specifications subject to change without notice. For latest revision visit <http://www.tycoelectronics.com>