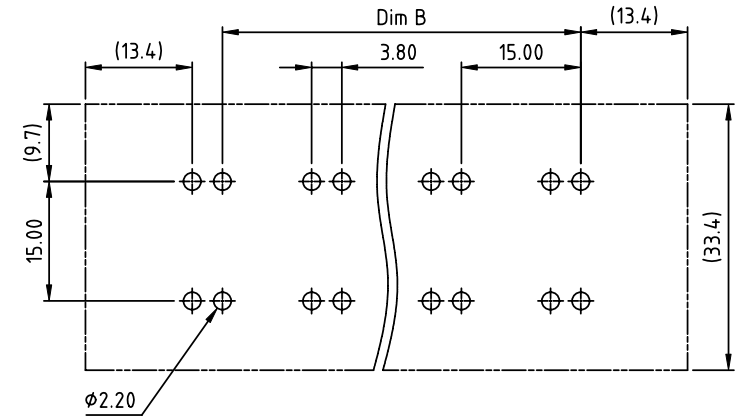
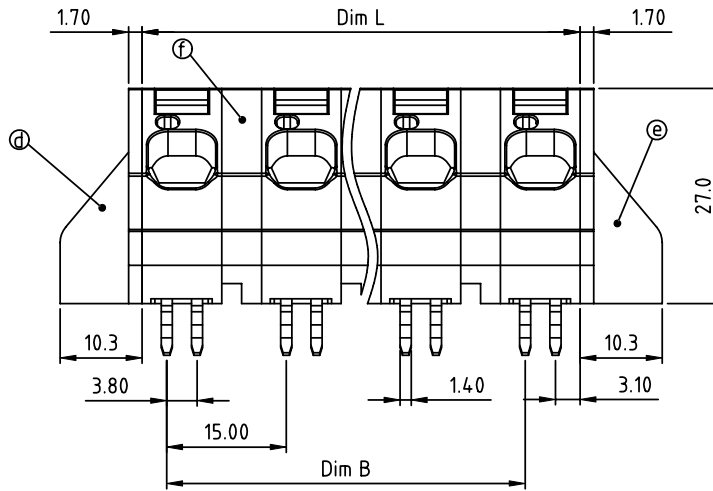
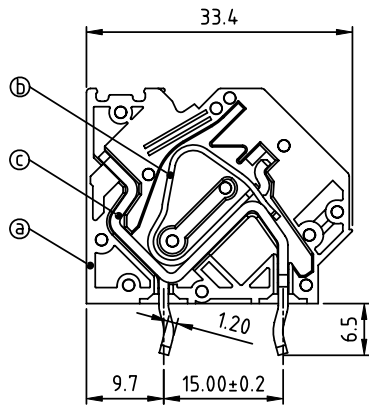


PRODUCT NUMBER	PITCH
H8xx10x100J0G	15.00mm



RECOMMENDED P.C.B LAYOUT  
TOP VIEW

Material:

- Item① Insulator(housing): Thermoplastic (UL94V-0)
- Item② Spring clamp: Stainless steel
- Item③ Terminal Body(solder pin): Copper.Tin platd
- Item④ With flange left cover: Thermoplastic (UL94V-0)
- Item⑤ With flange right cover: Thermoplastic (UL94V-0)
- Item⑥ Pad board: Thermoplastic ( UL94V-0 )

Electrical:

- |                         |                        |       |
|-------------------------|------------------------|-------|
|                         | cULus                  | IEC   |
| ●Voltage rating:        | 600V                   | 1000V |
| ●Current rating:        | 37A                    | 76A   |
| ●Wire range:            | 0.2-16 mm <sup>2</sup> |       |
| ●Solid wire(AWG):       | 6-24                   |       |
| ●Stranded wire(AWG):    | 6-24                   |       |
| ●Wire strip length:     | 12-13mm                |       |
| ●Withstanding Voltage:  | 2.2KV                  | 8KV   |
| ●Operating temperature: | -40°C to +115°C        |       |
| ●Soldering temperature: | 260°C±5°C/5 Sec        |       |
| ●Safety Approval:       | cULus                  |       |

N=Number of poles  
Dim L=Nx15.0-5.0  
Dim B=(N-1)x15.0

Poles	Dim L	Dim B
2-4p	±0.15	±0.15
5-8p	±0.25	±0.25

PART NO.: H8 xx 10 x 100J0 G

No. of poles	0	Black (RAL9005)	RoHS compliant (lead<4%)
End Stackable	2	Red (RAL3001/D)	In copper Alloy
02	2 poles	3 Orange(RAL2011/P)	
03	3 poles	4 Yellow(RAL1018/A)	
...	...	5 Green(RAL6018/T)	
08	8 poles	6 Blue (RAL5015/A)	
		8 Grey(RAL7004/P)	
		9 White(RAL1102)	
		C Multiple colors	

mat'l. code	surface ASME Y14.5	tolerance ASME Y14.5	projection	product family
ltr	ecn	no	dr	date
tolerances unless otherwise specified				TERMINAL BLOCK
angles	0	X.±0.5	MM	title
0	0	X.X±0.3	←	TERMINAL BLOCK
X'±1"	0	X.XX±0.1	→	SPRING CLAMP,45D WIRE INLET,WITH FLANGE
dr	EVIN ZHONG	053114	scale	dwg no
enr	EVIN ZHONG	053114		sheet 1 of 1
chr	HANKE FENG	053114		size
appd	SHI JUN	053114		H8xx10x100J0G
sheet index	revision	A		type
	sheet	1		CUSTOMER Drawing