

PART NAME: KNOB SCALE: 1:1 DATE: 4/13/82 DR. BY HD

THIS DRAWING IS THE PROPERTY OF DAVIES MOLDING COMPANY, IS SUBMITTED SOLELY AS A DESIGN OR ENGINEERING PROJECT. WE ACCEPT NO RESPONSIBILITY WHATSOEVER FOR THE PRACTICAL APPLICATION OF THE PIECES MADE TO THIS DESIGN.



DESIGNERS & MANUFACTURERS OF KNOBS, HANDLES, CASES & CUSTOM PLASTIC COMPONENTS

P/N 1940BJ

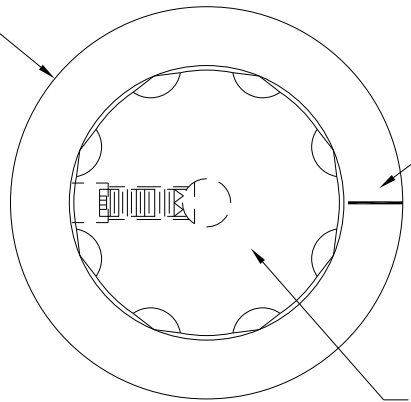
BASE PART 1940-05

SET SCREW	I0545
INLAY	I0566(SS)

ø2.02

(A)

PAD PRINTED INDICATOR LINE IN-WHITE.

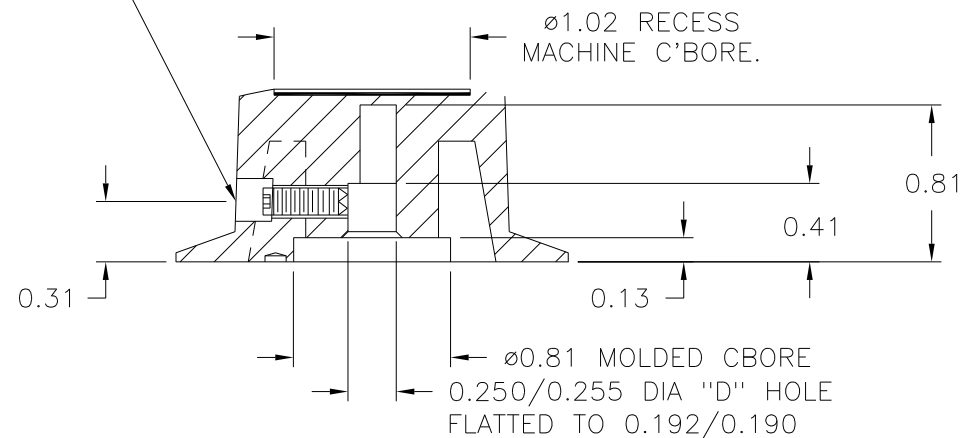
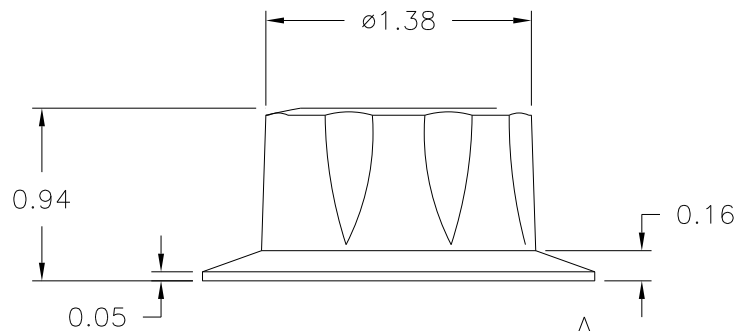


INLAY I0566(SS)

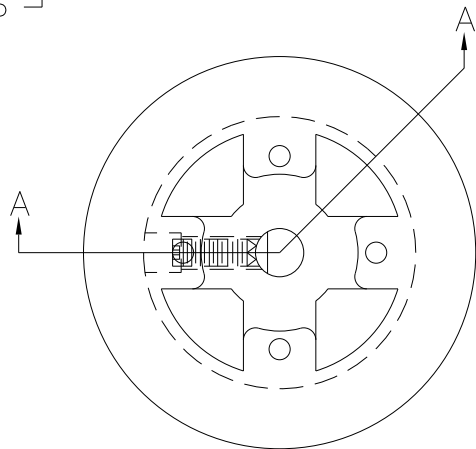
(B)

PACK IN EGG CRATE CONTAINERS

3/16 X 3/16 MACHINE C'BORE  
 USE #28 DRILL (ø0.140), #8-32 TAP.  
 #8-32 THREAD X 7/16 LG. CUP POINTED,  
 SOCKET TYPE, SET SCREW I0545



SECTION A-A



(C)  
 MATERIAL: 04311 PHENOLIC (B41)  
 COLOR: BLACK

D	ADDED BASE PART	JAM	4/17/14
C	WAS #2511 PHENOLIC (B11)	JAM	7/16/08
B	ADD PACKING INFORMATION	DD	4/7/05
A	WAS ø2.00	TL	9/24/99
-	CAD/REDRAWN	HD	9/15/97

TOLERANCES: UNLESS OTHERWISE SPECIFIED	DO NOT SCALE DRAWING
DECIMALS: X.XXX ± .005 X.XX ± .015	MM: X.XX ± 0.15MM X.X ± 0.4MM
FRACTIONS ± 1/64	ANG. ± 1°

CHANGES