

THIS DRAWING IS UNPUBLISHED. RELEASED FOR PUBLICATION JAN ,2006.

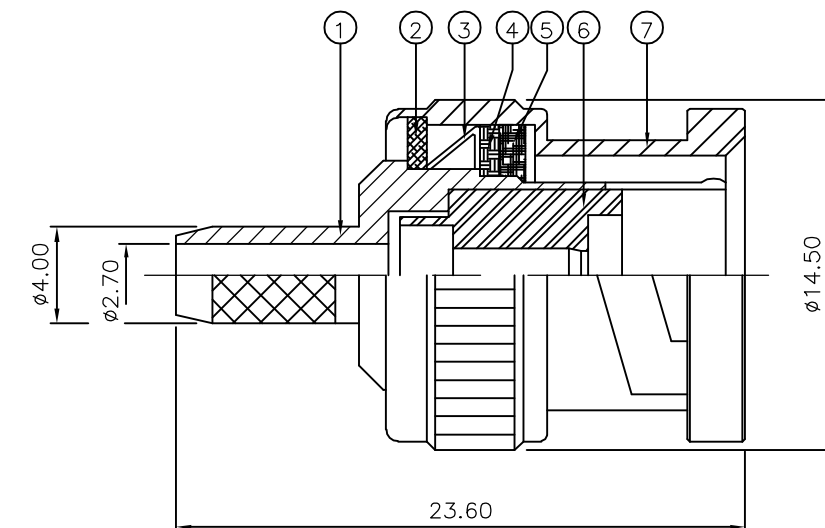
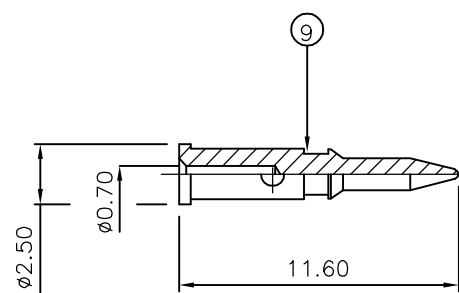
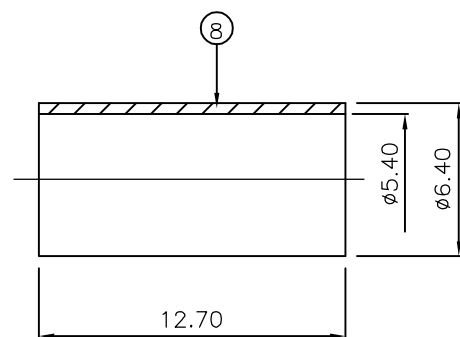
© COPYRIGHT 2006 BY TYCO ELECTRONICS CORPORATION. ALL RIGHTS RESERVED.

LOC	DIST	REVISIONS					
E	B	P	LTR	DESCRIPTION	DATE	DWN	APVD
		C		ECR-05-017969	17JAN06	JMS	FWK

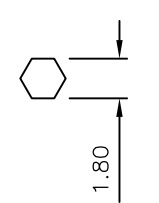
NOTES:

- 1 PACK IN ACCORDANCE WITH AMP SPEC 107-3275
- 2 100 TRAY PACK IN ACCORDANCE WITH AMP SPEC 107-3275
- 3 Au PLATING
- 4 Ni PLATING
- 5 THIS ITEM MUST BE WHITE
- 6 HAND TOOL : 9-1478240-0
- 7 DIE SET : 9-1478242-0
- 8 ELECTRICAL CHARACTERISTICS
 FREQUENCY RANGE: DC - 2 GHz
 NOMINAL IMPEDANCE: 75 Ohm

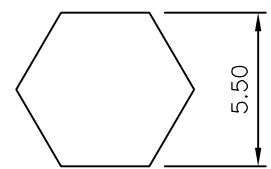
 INSULATION RESISTANCE: 5000 MOhm
 WORKING VOLTAGE: 500 Volts RMS at Sea Level
 DIELECTRIC WITHSTAND VOLTAGE: 1500 Volts RMS Max
 CONTACT RESISTANCE:
 CENTRE CONTACT: 1.50 mOhm Max
 OUTER CONTACT: 0.20 mOhm Max
 VSWR @ 2GHz: 1.20:1 Max
 INSERTION LOSS dB @ x 2 GHz: 0.20 Max
- 9 MECHANICAL CHARACTERISTICS
 COUPLING RETENTION FORCE: 445N Min
 CABLE RETENTION FORCE: 170N Min
 DURABILITY: 500 Cycles Min
- 10 ENVIRONMENTAL CHARACTERISTICS
 OPERATING TEMPERATURE: -65 to +165 DegC



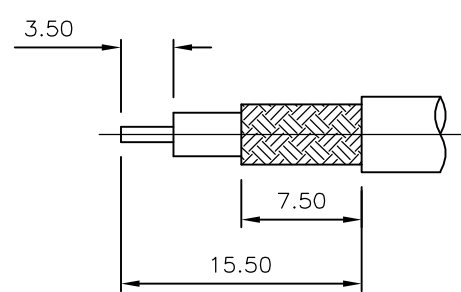
RECOMMENDED CENTRE CONTACT A/F HEX



RECOMMENDED CRIMP SLEEVE A/F HEX



RECOMMENDED CABLE STRIPPING DIM'S



QTY	PLC	MATERIAL	FINISH	DESCRIPTION	ITEM
1	1	BRASS	3	CONTACT	9
1	1	BRASS	4	FERRULE	8
1	1	BRASS	4	SHELL	7
1	1	PTFE		INSULATION	6
1	1	SILICON RUBBER	5	GASKET	5
1	1	BRASS	4	RETAINING RING	4
1	1	SPRING STEEL		SPRING	3
1	1	BRASS	4	WASHER	2
1	1	BRASS	4	BODY	1
6--0	1--0	MATERIAL		DESCRIPTION	ITEM

QUANTITY PER ASSY PARTS LIST

THIS DRAWING IS A CONTROLLED DOCUMENT.

DIMENSIONS: mm	TOLERANCES UNLESS OTHERWISE SPECIFIED:
	0 PLC ± -
	1 PLC ± -
	2 PLC ± -
	3 PLC ± -
	4 PLC ± -
	ANGLES ± -
MATERIAL SEE TABLE	FINISH -

DWN	J.SANDWELL	17JAN06
CHK	S.PARLOW	17JAN06
APVD	F.WHEELER-KING	17JAN06
PRODUCT SPEC	-	-
APPLICATION SPEC	411-3247	-
WEIGHT	-	-
CUSTOMER DRAWING		

tyco Tyco Electronics Corporation
Electronics Bideford EX39 4HE

NAME: BNC STRAIGHT PLUG CRIMP 75 OHM BT2002

SIZE: A3 CAGE CODE: 00779 DRAWING NO: 1337495 RESTRICTED TO: -

SCALE: NTS SHEET: 1 OF 1 REV: C