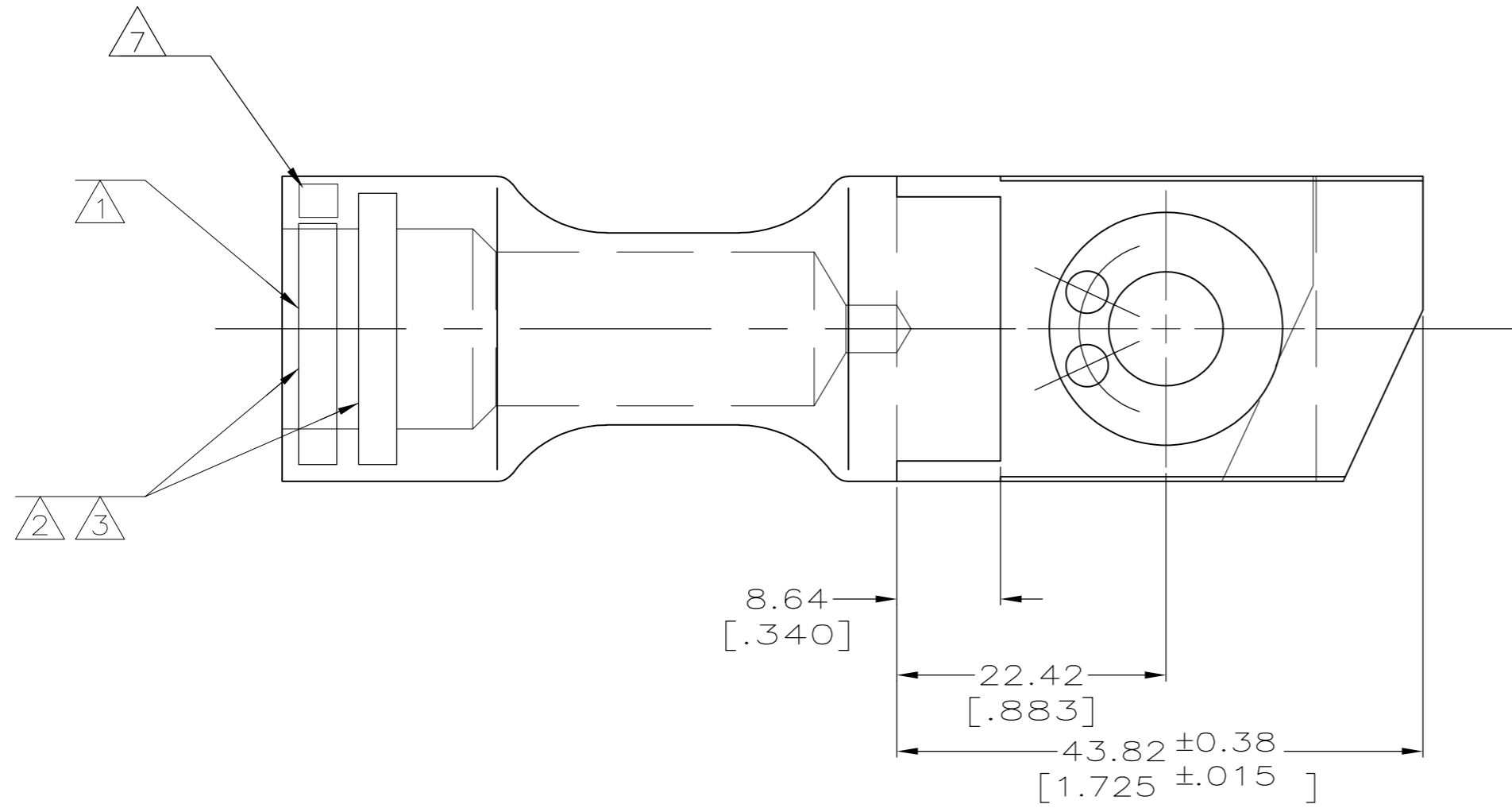
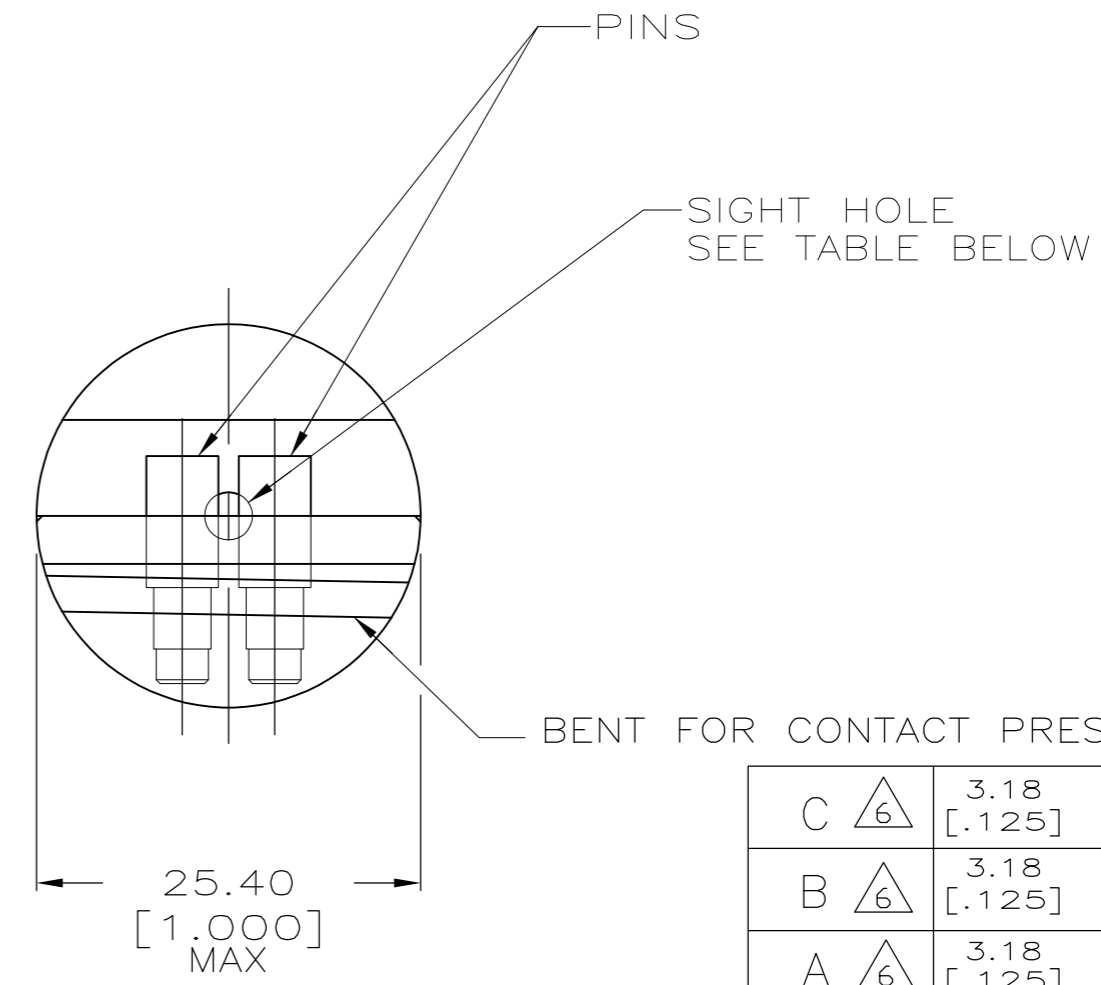
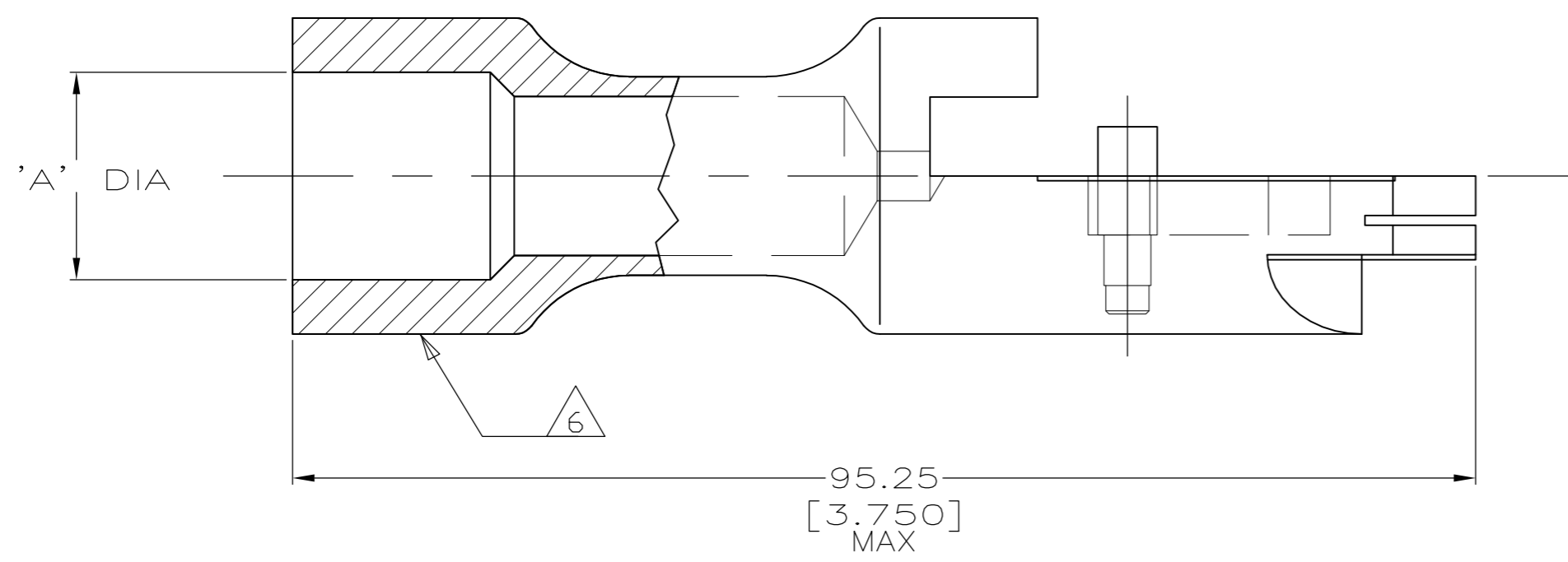


THIS DRAWING IS UNPUBLISHED. RELEASED FOR PUBLICATION
 © COPYRIGHT BY TYCO ELECTRONICS CORPORATION. ALL RIGHTS RESERVED.

LOC	DIST	REVISIONS			
P	LTR	DESCRIPTION	DATE	DWN	APVD
G	86				
		REV PER ECR 09-003434	23FEB09	JR	RL



- ① STAMP AMP 1/0 APPROX AS SHOWN
- ② STAMP 1/0 A33 Ⓜ7077D8OG13 APPROX AS SHOWN
- ③ STAMP 1/0 A33 Ⓜ7077D8OG09 APPROX AS SHOWN
- ④ BODY AND PINS, BRASS PER QQ-B-626
- ⑤ SILVER PLATE 0.00254 [.000100] MIN PER QQ-S-365
- ⑥ STAMP " see table " TO DENOTE ELECTRICAL PHASE.
- ⑦ STAMP TYCO ELECTRONICS ID
- ⑧ PRELIMINARY - NOT FOR PRODUCTION



C	⑥	3.18 [.125]	16.66 [.656]	⑧1-52594-6
B	⑥	3.18 [.125]	16.66 [.656]	⑧1-52594-5
A	⑥	3.18 [.125]	16.66 [.656]	⑧1-52594-4
-		3.18 [.125]	16.66 [.656]	52594-6
-		3.18 [.125]	15.09 [.594]	52594-5
-		3.18 [.125]	15.09 [.594]	52594-4
-		3.18 [.125]	18.64 [.734]	52594-3
-		3.18 [.125]	16.66 [.656]	52594-2
-		NONE	16.66 [.656]	52594-1
STAMPING	SIGHT HOLE	'A'		AMP PART NUMBER

OBSOLETE

THIS DRAWING IS A CONTROLLED DOCUMENT.		DWN 12JUN96 DK SCHRUM	Tyco Electronics Corporation Harrisburg, PA 17105-3608	
DIMENSIONS: mm [INCHES]		CHK 25JUN96 WJ VOCKROTH	NAME	
TOLERANCES UNLESS OTHERWISE SPECIFIED:		APVD 25JUN96 JL MECKLEY	PRODUCT SPEC	
0 PLC ± -		108-13014		
1 PLC ± -		APPLICATION SPEC		
2 PLC ± 0.20[.008]		SIZE CAGE CODE DRAWING NO RESTRICTED TO		
3 PLC ± -		A2 00779 C=52594		
4 PLC ± -		WEIGHT - lbs		
ANGLES ± -		CUSTOMER DRAWING		
FINISH		SCALE 2:1 SHEET 1 of 1 REV G		