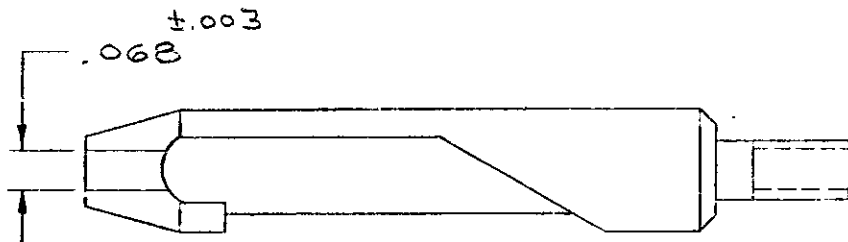


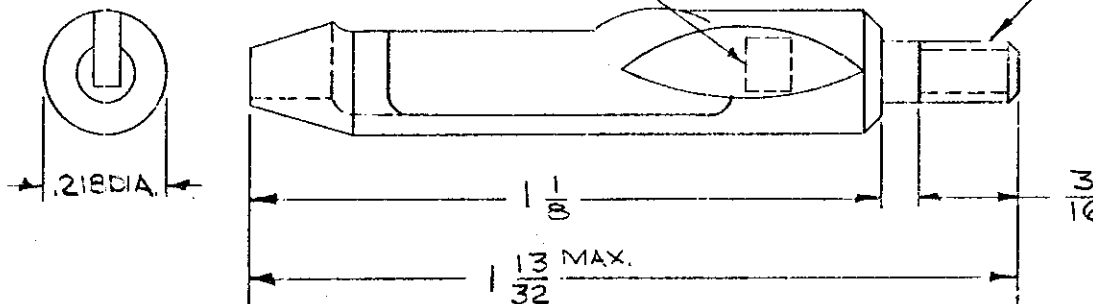
NUMBER  
C-395042

TIP NUMBER	TIP SYMBOL	USED ON
395042	G	390310-3,-4 330306-3,-4 811071-1



TIP SYMBOL  
(SEE TABLE)

# 3-56 NF-2



APPLICATION TOOLING ENGR'G.  
CONNECTOR PRODUCTS DIV.

© 1959 BY AMP INCORPORATED, ALL RIGHTS RESERVED. AMP PRODUCTS COVERED BY PATENTS AND/OR PATENTS PENDING.

**CUSTOMER COPY  
REFERENCE ONLY**

MATERIAL AND FINISH

— H —

**AMP** AMP INCORPORATED  
HARRISBURG, PENNA.

CLAS — H —

WIRE — RANGE — INSULATION

TOLERANCE EXCEPT AS NOTED  
± .015 ± 1° 0'

SCALE: — H —

LOC **MA** NO **C-395042** REV **C-1**

NAME  
**TIP - INSERTION TOOL**

DR	ESL	4/1/63	DE	Helt	4/5/63
CHK	W. Schmalzer	4/1/63	APP	Tommins	4/1/63

PRINT DIST  
DIMENSIONS IN INCHES. DO NOT SCALE PRINT