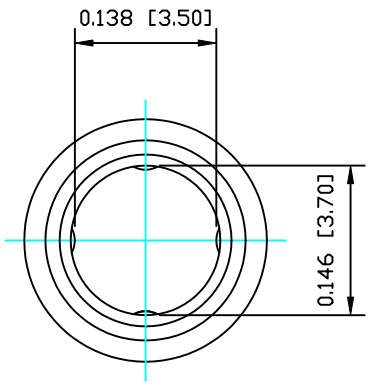
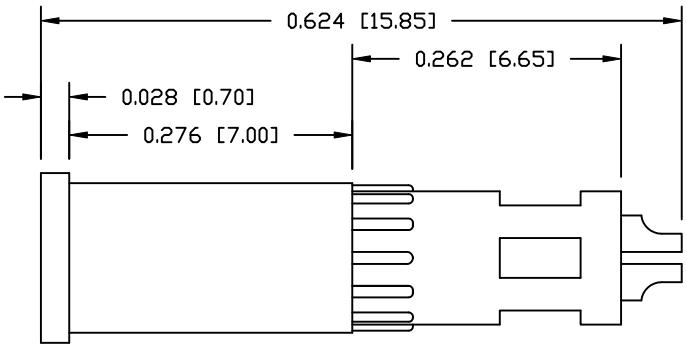
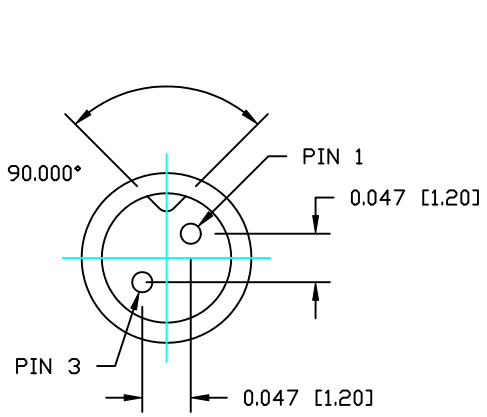
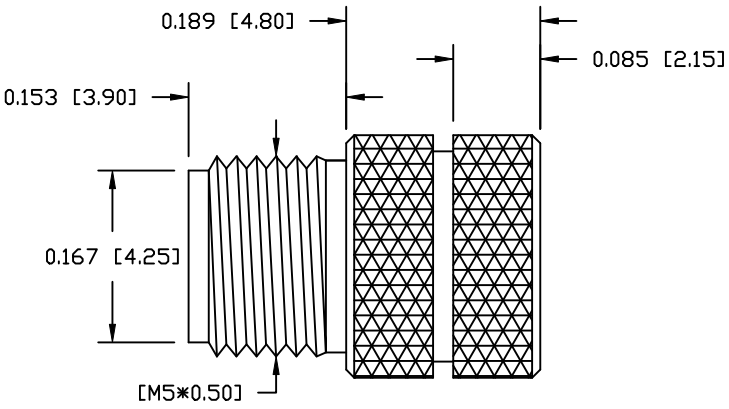


DESCRIPTION: M5 MALE - CABLE MOUNT - SOLDER CUP - 2 POSITION



NUT

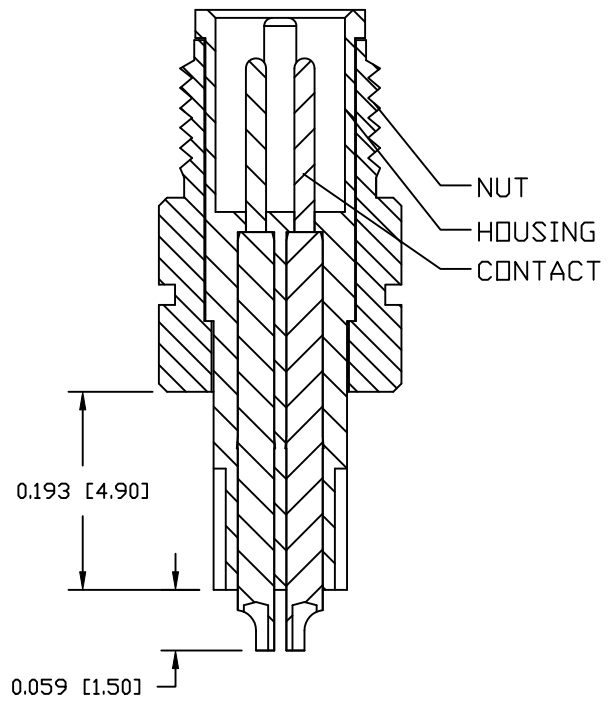


NOTE:

MATERIAL
 HOUSING: TPU, BLACK
 CONTACT: BRASS
 NUT: BRASS
FINISH
 CONTACT: GOLD PLATED
 OVER 50µ" NICKEL
 NUT: SATIN NICKEL
ELECTRICAL
 RATED CURRENT: 1A
 RATED VOLTAGE: 60V
 INSULATION RESISTANCE: 100 mOhms MIN.
 CONTACT RESISTANCE: 10 MOhms MAX.
 WATER PROOF: IP67
ENVIRONMENT
 OPERATION TEMPERATURE: -40°C TO +85°C
 WIRE GAUGE: 26 - 28 AWG

850-002-103RLUY

1 = GOLD FLASH
 4 = 10µ" GOLD



RoHS COMPLIANT

DO NOT SCALE FROM DRAWING



THESE DRAWINGS AND SPECIFICATIONS ARE THE PROPERTY OF NorComp AND SHALL NOT BE REPRODUCED, COPIED OR USED AS THE BASIS FOR THE MANUFACTURE OR SALE OF APPARATUS WITHOUT WRITTEN PERMISSION.

DRAWN: C. SMITH	DATE: 03-03-16
CHECKED:	DATE:

NorComp

SCALE: NTS	SHEET 1	OF 1	REV 1
DWG NO. 850-002-103RLUY			